



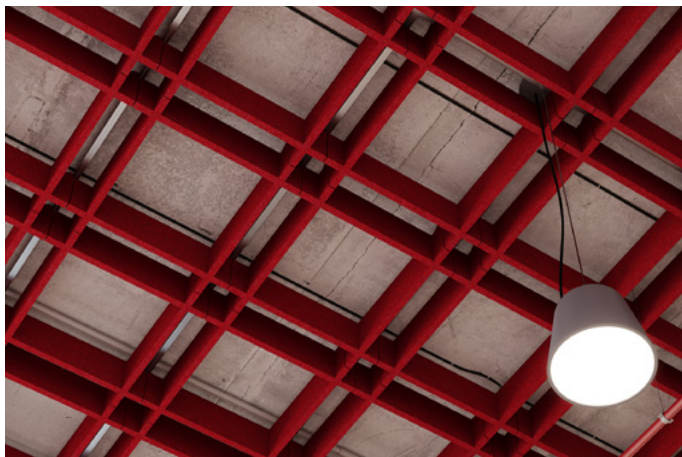
Woven, Gingham Ceiling Frames

Premier Collection

Woven's Gingham highlights a classic checkered pattern with evenly spaced, equal-sized vertical and horizontal lines, offering a timeless and structured aesthetic. Thoughtfully designed, it achieves an ideal balance of openness and acoustic performance while adding visual interest to any environment.

Specifications

Surface	Ceiling	
Material	FilaSorb™ polyester felt	
Thickness	1/2", 12mm (±10%)	
Weight	0.49 lb./ft ² (±10%)	
Standard Sizes	4" H x 24" W x 24" L 6" H x 24" W x 24" L	
Compatible T-grid	Type	Layout
	15/16" Flat	Standard 24" x 24"
	9/16" Flat	Standard 24" x 24"



Woven, Gingham Ceiling Frames in Currant

Technical

NRC Rating	Pending product testing
Fire Test	ASTM E84, Class A Flame spread index: 15 Smoke developed index: 200
Water Sorption	ASTM C1104-2019 (A Modified) Water sorbed by weight: 0.20% (based on a 12mm thick panel)
Colorfastness	ISO 105-B02, 6-7

Details

Lead Time	3 – 6 weeks
Origin	Manufactured and assembled in the US
Warranty	Product: 20 years* Colorfastness: 20 years*

* Conditions apply

Environmental

Recycled Content	Minimum 60%
Energy	Generated using 40% solar energy
Indoor Air Quality	VOC less than/equal to 0.5mg/m ³
Recyclable	100%*
Certifications	Declare Certification - LBC Red List Free (third-party verified) SCS Global Indoor Advantage Gold

* PET is recyclable through participating partners.



Colorways

PREMIER

							
White WH12	Almond AL55	Celery CE65	Sencha SE58	Metal ME03	Flamingo FL61	Quartz QU67	Turmeric TU60
							
Platinum PL04	Pearl PE21	Pistachio PI25	Thistle TH28	Stonewash ST72	Amethyst AM69	Valentine VA70	Wheat WH68
							
Grey GR02	Ivory IV11	Eucalyptus EU71	Peacock PE20	Periwinkle PE23	Lilac LI13	Peach PE19	Popcorn PO26
							
Slate SL27	Milkyway MI74	Wasabi WA29	Sea Salt SE57	Marine MA15	Berry BE06	Peppercorn PE22	Carrot CA08
							
Charcoal CH01	Umber UM54	Oregano OR18	Azure AZ05	Granite GR62	Iris IR10	Shiraz SH63	Currant CU59
							
Piano Black PI24	Walnut WA56	Kale KA12	Denim DE09	Midnight MI16	Flint FL64		

Order samples at acoufelt.com/colorways



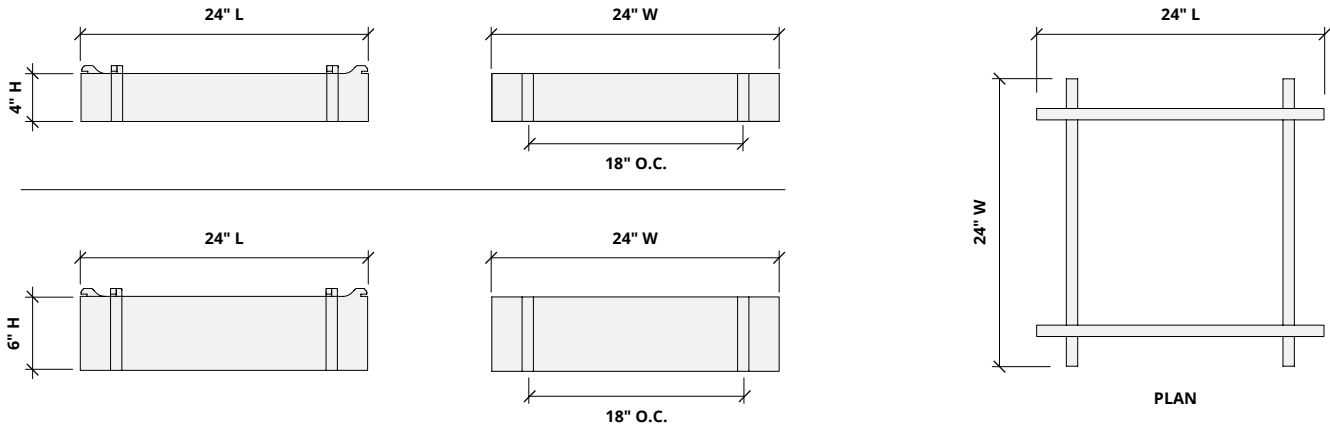
Call 800.966.8557 with questions or visit acoufelt.com for more product information, downloads, and colorways.

How to Specify

1. Choose Slat Height

2. Choose Colorways

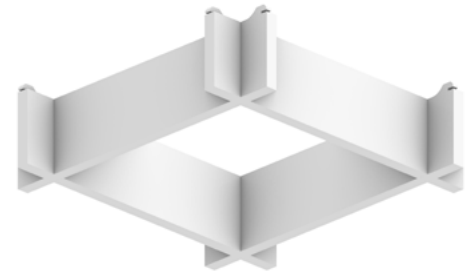
Slats are available in two heights:



1. Choose Slat Height

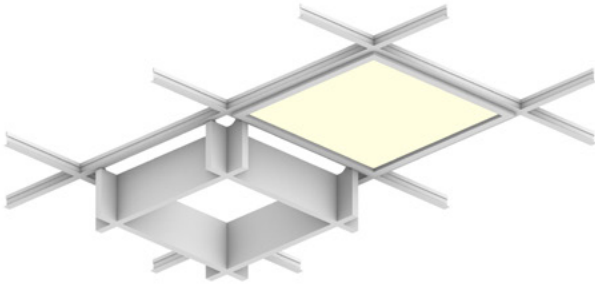
2. Choose Colorways

See colorway choices on page 3.

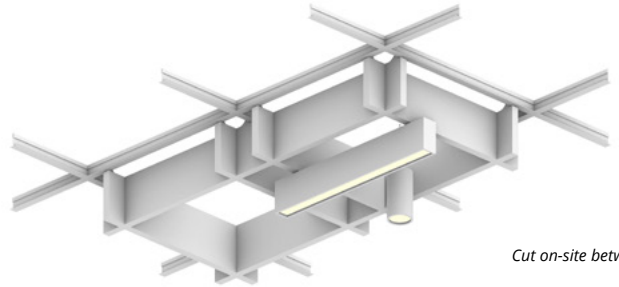


Lighting Coordination

24" x 24" Grid light



Drop pendant light



Cut on-site between slats

Recessed light

