



WoodBeQuiet Tiles Wall Tiles

WoodGrain Collection

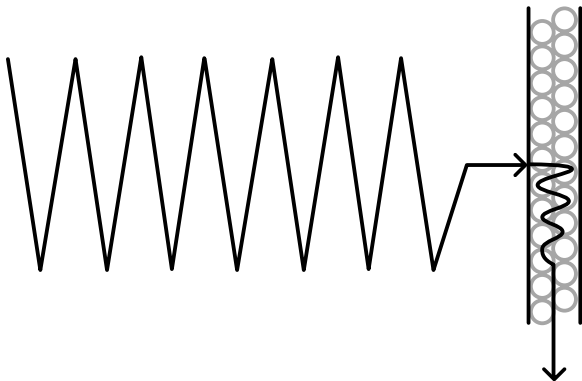
WoodBeQuiet Tiles capture the natural beauty of real wood while enhancing acoustic comfort. Our innovative QuietPrint™ technology applies high-resolution woodgrain patterns to smooth, sound-absorbing felt—delivering the warmth of timber without compromising acoustic performance.

Specifications

Surface	Wall
Material	FilaSorb™ polyester felt
Thickness	1/2", 12mm (±10%) 1", 24mm (±10%)
Weight	0.49 lb./ft² (±10%) 0.98 lb./ft² (±10%)
Standard Sizes	Heights: 4, 8, 20, 40" H Widths: 24, 48" W



WoodBeQuiet Wall Tiles in Fumed Oak



Many high-resolution printing techniques create an impenetrable layer that reflects sound. Acoufelt QuietPrint™ is applied with high precision, ensuring that air gaps remain open, absorbing sound and creating a high resolution image.

Technical

NRC Rating	0.45
Fire Test	ASTM E84, Class A Flame spread index: 15 Smoke developed index: 200
Water Sorption	ASTM C1104-2019 (A Modified) Water sorbed by weight: 0.20% (based on a 12mm thick panel)
Colorfastness	ISO 105-B02, 6-7

Details

Lead Time	3 – 6 weeks
Origin	Manufactured and assembled in the US
Warranty	Product: 20 years* Colorfastness: 20 years*

* Conditions apply

Environmental

Recycled Content	Minimum 60%
Energy	Generated using 40% solar energy
Indoor Air Quality	VOC less than/equal to 0.5mg/m3
Recyclable	100%*
Certifications	Declare Certification - LBC Red List Free (third-party verified) SCS Global Indoor Advantage Gold

* PET is recyclable through participating partners.



Call **800.966.8557** with questions or visit **acoufelt.com** for more product information, downloads, and colorways.

Colorways

WOODGRAIN



Boat Shed
WQ02



Picket Fence
WQ01



Loft
WQ06



Nordic Plank
WQ15



White Oak
WQ13



Baltic Birch
WQ12



White Elm
WQ07



Lyed Larch
WQ30



Woodland Fog
WQ22



Weathered Slate
WQ14



French Bobbin
WQ08



Boardwalk
WQ10



Mountain Lodge
WQ24



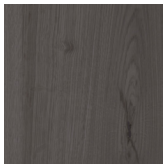
Wine Barrel
WQ03



Natural Oak
WQ16



Knotty Spruce
WQ29



Shadow Oak
WQ28



Driftwood
WQ21



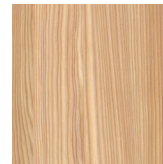
Mocha Legno
WQ25



Teak
WQ18



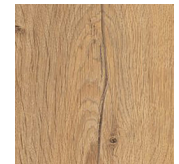
Fumed Oak
WQ19



European Larch
WQ17



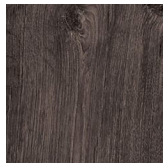
Petrified Ash
WQ23



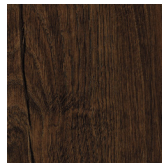
Log Cabin
WQ04



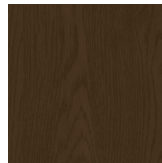
Charred Larch
WQ09



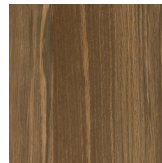
Barn Door
WQ05



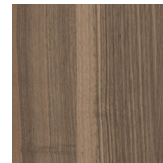
Antique Chest
WQ11



Scorched Timber
WQ26



Espresso Oak
WQ27

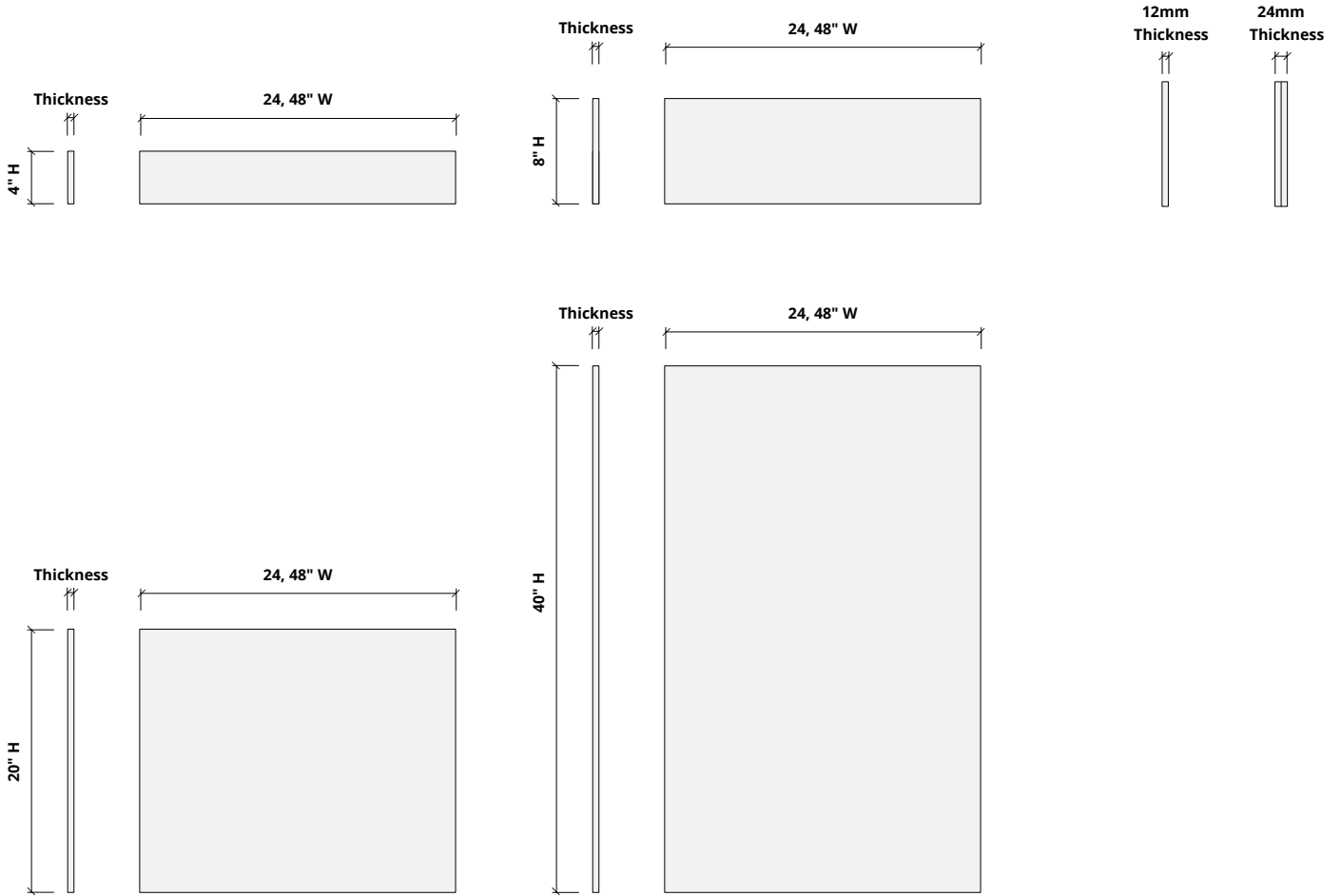


Black Walnut
WQ20

Order samples at acoufelt.com/colorways

Sizes

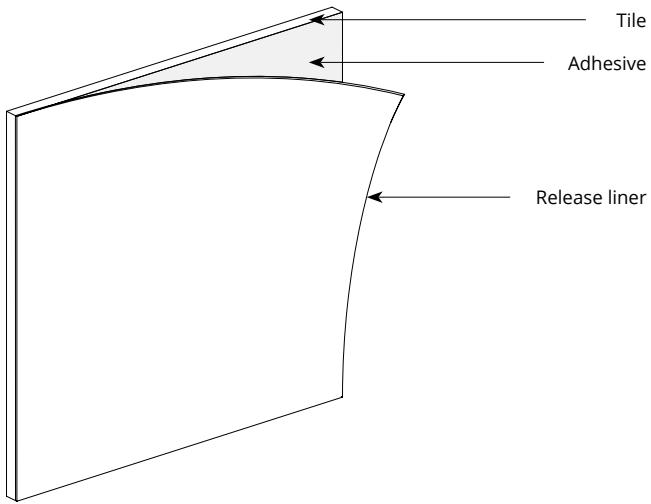
Standard Sizes	Heights: 4, 8, 20, 40" H Widths: 24, 48" W
Thickness	1/2", 12mm (±10%) 1", 24mm (±10%)



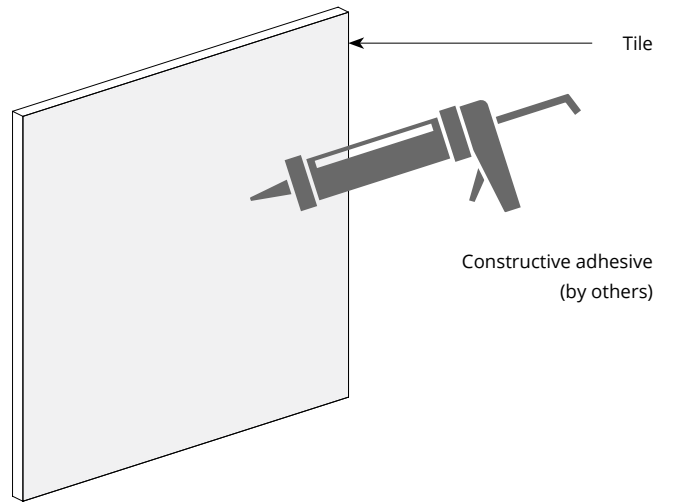
Tiles sizes can be mixed to create the desired pattern.

Mounting Methods

Adhesive backing

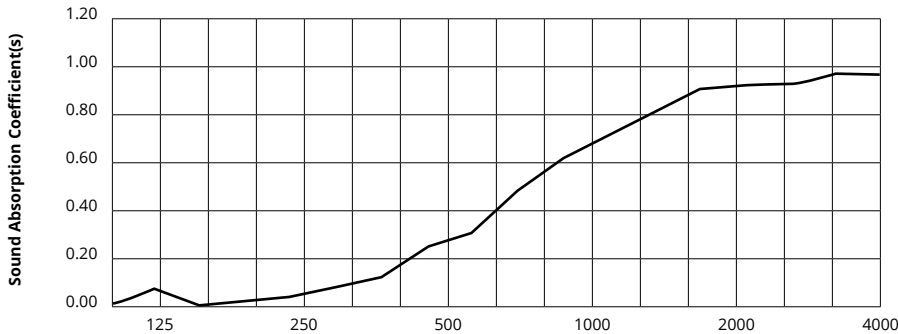


Construction adhesive



Acoustic Performance

Test Method	ASTM C423-09a
Install Method	A
Rating Method	AS ISO 11654-2002
Test Results	NRC 0.45, no air gap NRC 0.54, 12mm air gap NRC 0.64, 20mm air gap SAA 0.43, no air gap



Frequency f (Hz)	125	250	500	1000	2000	4000	NRC
12mm	0.06	0.02	0.23	0.61	0.89	0.95	0.45

What is a Noise Reduction Coefficient (NRC)?

You'll find the NRC rating in the specifications of all of our products. This acronym stands for Noise Reduction Coefficient, and is expressed as a single number, a rating that describes the degree to which acoustic products can absorb sound.

You can use NRC values to understand the overall performance of our acoustic wall and ceiling products. The higher the NRC, the better the product is at soaking up the sound.

Performance Indices: Noise Reduction Coefficient (NRC) results represent the absorption coefficients measured at the one third octave bands at 125, 250, 500, 1000, 2000 and 4000 Hz rounded to the nearest 0.05. Acoustic testing has been performed according to the methods mentioned above. Customization of installation of the product could alter the results. Sound Absorption Average (SAA) indicates the absorption coefficient average for the twelve one-third octave bands ranging between 200 and 2500 Hz.