

Filter Wall Panel

WoodGrain Collection

Indulge in a sensory detox. By scrubbing unwanted sound from your environment, Filter imparts a welcome sense of stillness complemented by a whisper of visual interest. Choose from a range of sizes and WoodGrains to create a continuous sweep across seams and around curves—Filter attaches easily to any surface.

Specifications

Surface	Wall
Material	FilaSorb™ polyester felt
Thickness	1/2", 12mm (±10%)
Weight	0.49 lb./ft ² (±10%)
Standard Sizes	Width: 24" W Depth: 3" D Height: 48, 96, 108" H <i>Custom sizes available</i>



Filter Wall Panels in Baltic Birch

Technical

NRC Rating	0.45
Fire Test	ASTM E84, Class A Flame spread index: 15 Smoke developed index: 200
Water Sorption	ASTM C1104-2019 (A Modified) Water sorbed by weight: 0.20% (based on a 12mm thick panel)
Colorfastness	ISO 105-B02, 6-7

Details

Lead Time	3 – 6 weeks
Origin	Manufactured and assembled in the US
Warranty	Product: 20 years* Colorfastness: 20 years*

* Conditions apply

Environmental

Recycled Content	Minimum 60%
Energy	Generated using 40% solar energy
Indoor Air Quality	VOC less than/equal to 0.5mg/m ³
Recyclable	100%*
Certifications	Declare Certification - LBC Red List Free (third-party verified) SCS Global Indoor Advantage Gold

* PET is recyclable through participating partners.

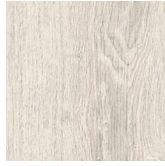


Colorways

WOODGRAIN



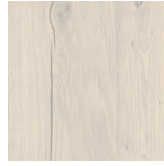
Boat Shed
WQ02



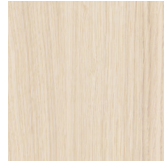
Picket Fence
WQ01



Loft
WQ06



Nordic Plank
WQ15



White Oak
WQ13



Baltic Birch
WQ12



White Elm
WQ07



Lyed Larch
WQ30



Woodland Fog
WQ22



Weathered Slate
WQ14



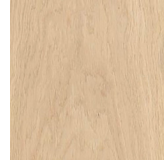
French Bobbin
WQ08



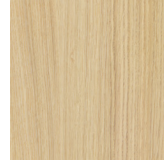
Boardwalk
WQ10



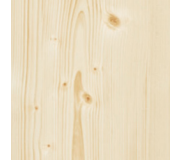
Mountain Lodge
WQ24



Wine Barrel
WQ03



Natural Oak
WQ16



Knotty Spruce
WQ29



Shadow Oak
WQ28



Driftwood
WQ21



Mocha Legno
WQ25



Teak
WQ18



Fumed Oak
WQ19



European Larch
WQ17



Petrified Ash
WQ23



Log Cabin
WQ04



Charred Larch
WQ09



Barn Door
WQ05



Antique Chest
WQ11



Scorched Timber
WQ26



Espresso Oak
WQ27



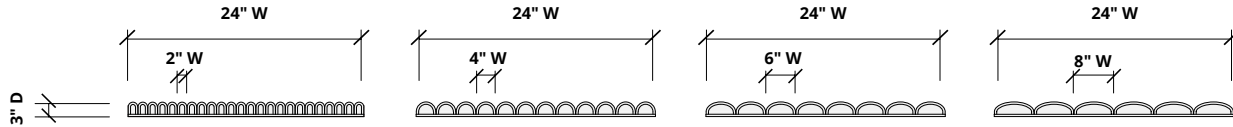
Black Walnut
WQ20

Order samples at acoufelt.com/colorways

Sizes

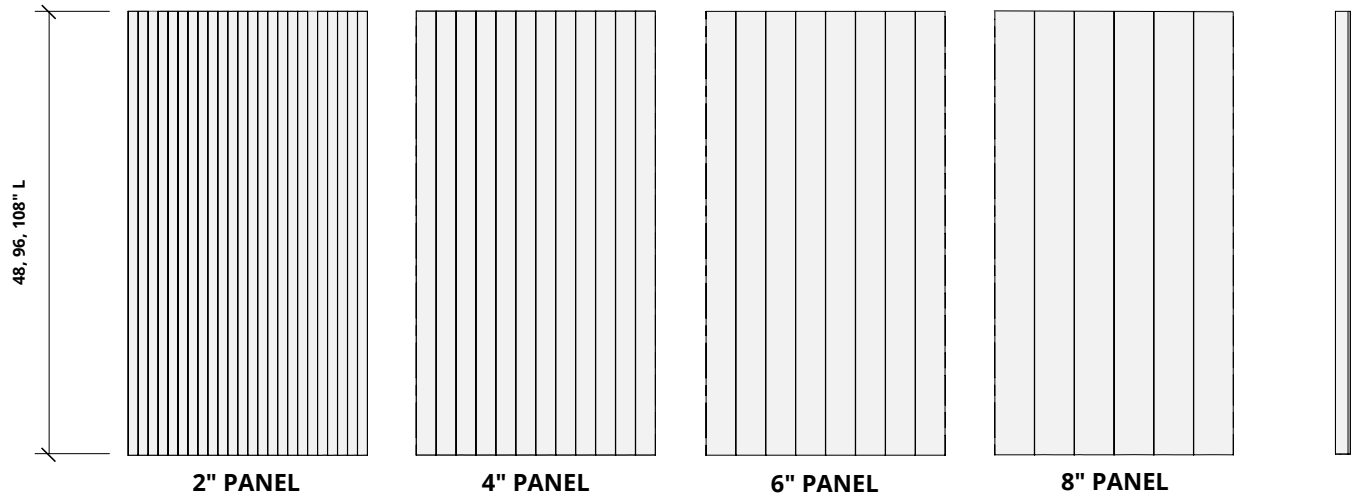
Width	Panel width: 24" W Scallop widths: 2, 4, 6, 8" W
Depth	3" D
Length	48, 96, 108" L <i>Custom sizes available</i>

Plan



Elevation

Side Elevation

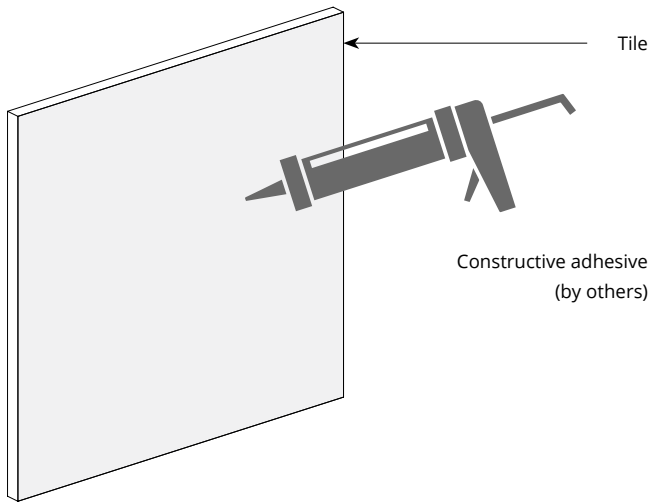


12mm
thickness

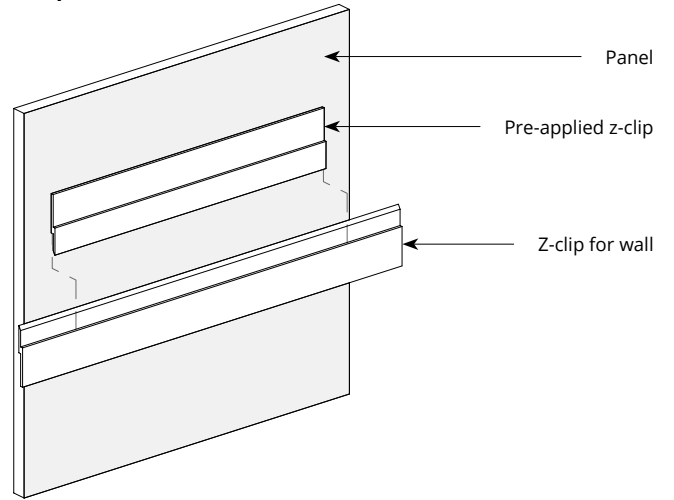


Mounting Methods

Construction adhesive

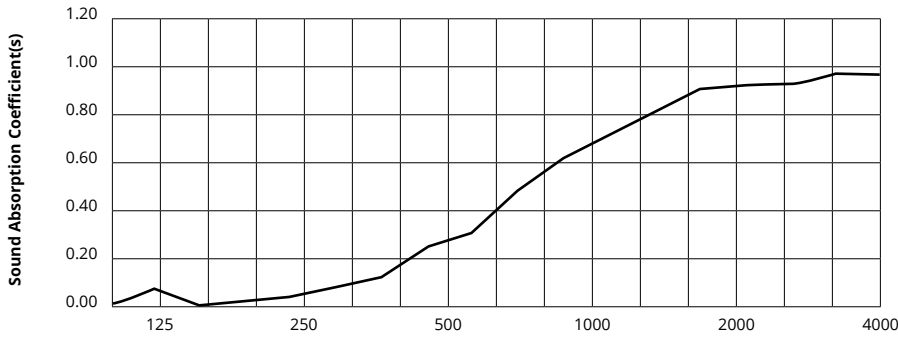


Z-clip wall mount



Acoustic Performance

Test Method	ASTM C423-09a
Install Method	A
Rating Method	AS ISO 11654-2002
Test Results	NRC 0.45, no air gap SAA 0.43, no air gap



Frequency f (Hz)	125	250	500	1000	2000	4000	NRC
12mm	0.06	0.02	0.23	0.61	0.89	0.95	0.45

What is a Noise Reduction Coefficient (NRC)?

You'll find the NRC rating in the specifications of all of our products. This acronym stands for Noise Reduction Coefficient, and is expressed as a single number, a rating that describes the degree to which acoustic products can absorb sound.

You can use NRC values to understand the overall performance of our acoustic wall and ceiling products. The higher the NRC, the better the product is at soaking up the sound.

Performance Indices: Noise Reduction Coefficient (NRC) results represent the absorption coefficients measured at the one third octave bands at 125, 250, 500, 1000, 2000 and 4000 Hz rounded to the nearest 0.05. Acoustic testing has been performed according to the methods mentioned above. Customization of installation of the product could alter the results. Sound Absorption Average (SAA) indicates the absorption coefficient average for the twelve one-third octave bands ranging between 200 and 2500 Hz.