



## Rooftop, Gable Ceiling Clouds

Premier Collection

Rooftop ceiling clouds combine modern aesthetics with exceptional functionality. Crafted from high-quality acoustic felt and available in a range of colors, their dynamic geometric design adds depth and visual intrigue to any space.

More than just visually captivating, Rooftop Clouds are designed with angled surfaces and premium materials to deliver outstanding sound absorption, effectively reducing noise and improving acoustics. Ideal for large, open areas, these ceiling clouds provide a versatile solution that enhances the style and functionality of any environment, making a bold architectural statement.

## Specifications

<b>Surface</b>	Ceiling
<b>Material</b>	FilaSorb™ polyester felt
<b>Thickness</b>	1/2", 12mm (±10%)
<b>Weight</b>	0.49 lb./ft <sup>2</sup> (±10%)
<b>Standard Sizes</b>	44" W x 44" L x 2" H 44" W x 96" L x 2" H



Rooftop, Gable Ceiling Cloud in Midnight, White and Popcorn

## Technical

<b>NRC Rating</b>	0.85, 200mm air gap 0.80, 400mm air gap
<b>Fire Test</b>	ASTM E84, Class A Flame spread index: 15 Smoke developed index: 200
<b>Water Sorption</b>	ASTM C1104-2019 (A Modified) Water sorbed by weight: 0.20% (based on a 12mm thick panel)
<b>Colorfastness</b>	ISO 105-B02, 6-7

## Details

<b>Lead Time</b>	3 – 6 weeks
<b>Origin</b>	Manufactured and assembled in the US
<b>Warranty</b>	Product: 20 years* Colorfastness: 20 years*

\* Conditions apply

## Environmental

<b>Recycled Content</b>	Minimum 60%
<b>Energy</b>	Generated using 40% solar energy
<b>Indoor Air Quality</b>	VOC less than/equal to 0.5mg/m <sup>3</sup>
<b>Recyclable</b>	100%*
<b>Certifications</b>	Declare Certification - LBC Red List Free (third-party verified) SCS Global Indoor Advantage Gold

\* PET is recyclable through participating partners.



Call **800.966.8557** with questions or visit **acoufelt.com** for more product information, downloads, and colorways.



# Colorways

## PREMIER



White  
WH12



Almond  
AL55



Celery  
CE65



Sencha  
SE58



Metal  
ME03



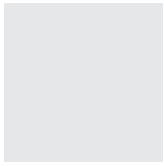
Flamingo  
FL61



Quartz  
QU67



Turmeric  
TU60



Platinum  
PL04



Pearl  
PE21



Pistachio  
PI25



Thistle  
TH28



Stonewash  
ST72



Amethyst  
AM69



Valentine  
VA70



Wheat  
WH68



Grey  
GR02



Ivory  
IV11



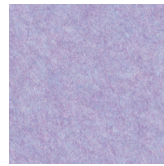
Eucalyptus  
EU71



Peacock  
PE20



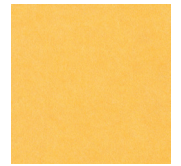
Periwinkle  
PE23



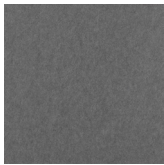
Lilac  
LI13



Peach  
PE19



Popcorn  
PO26



Slate  
SL27



Umber  
UM54



Wasabi  
WA29



Sea Salt  
SE57



Marine  
MA15



Berry  
BE06



Peppercorn  
PE22



Carrot  
CA08



Charcoal  
CH01



Walnut  
WA56



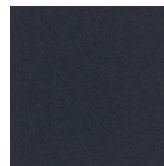
Oregano  
OR18



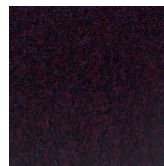
Azure  
AZ05



Iris  
IR10



Flint  
FL64



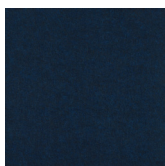
Shiraz  
SH63



Currant  
CU59



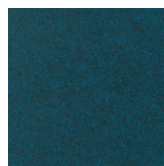
Piano Black  
PI24



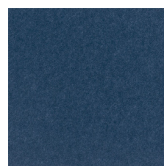
Midnight  
MI16



Kale  
KA12



Denim  
DE09



Granite  
GR62

Order samples at [acoufelt.com/colorways](https://acoufelt.com/colorways)

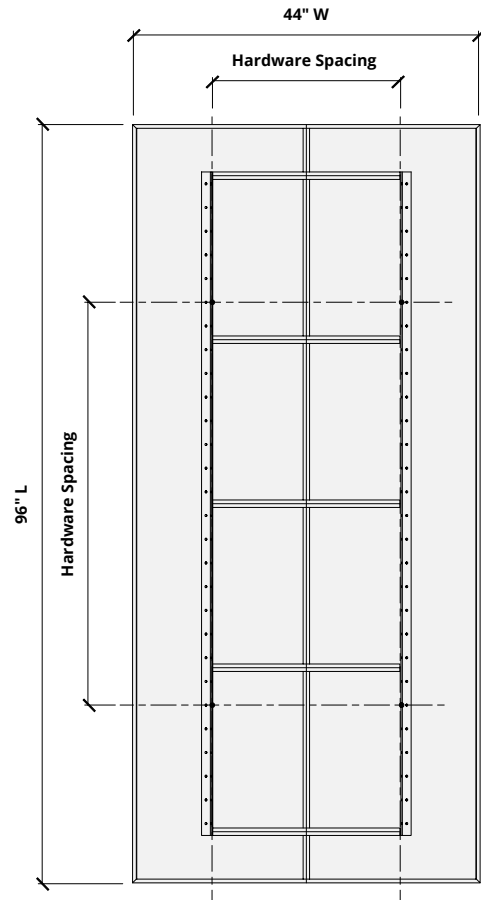
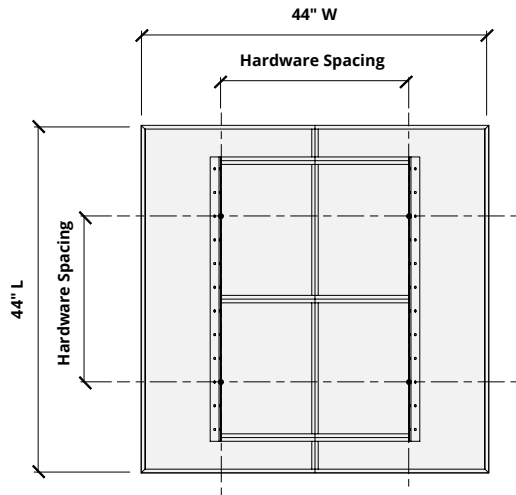


Call 800.966.8557 with questions or visit [acoufelt.com](https://acoufelt.com) for more product information, downloads, and colorways.

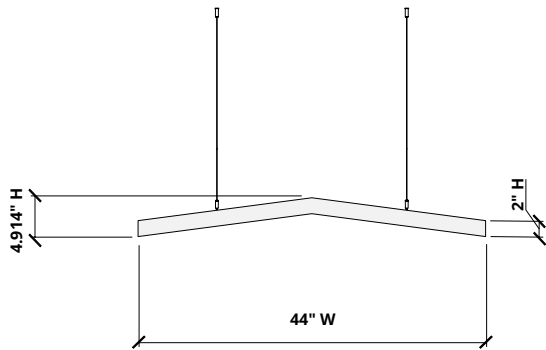
# Sizes

<b>Standard Sizes</b>	44" W x 44" L x 2" H 44" W x 96" L x 2" H
<b>Thickness</b>	1/2", 12mm (±10%)

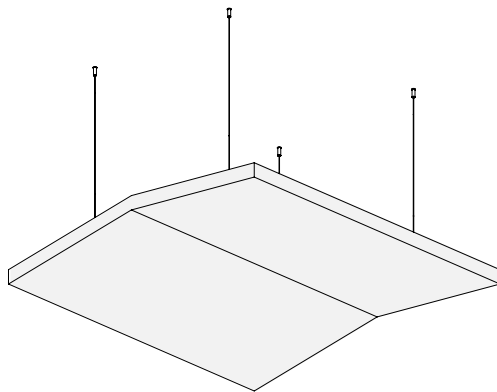
## Plan



## Elevation



## Perspective

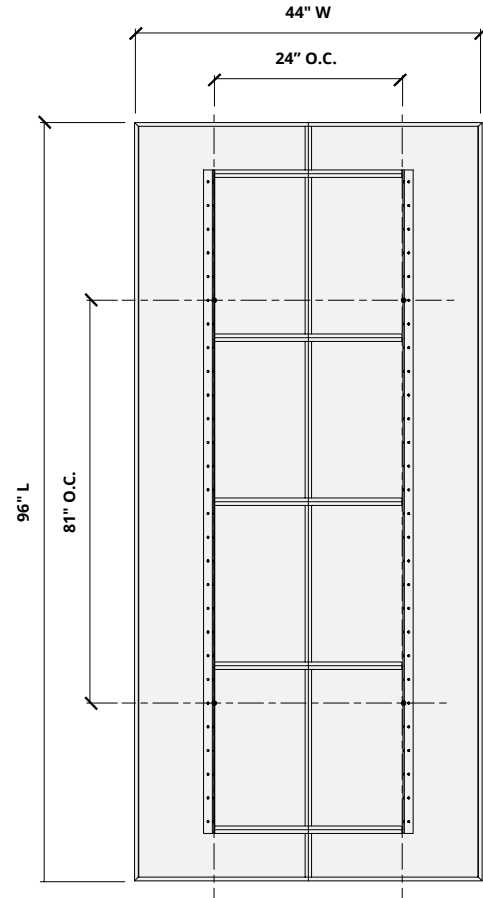
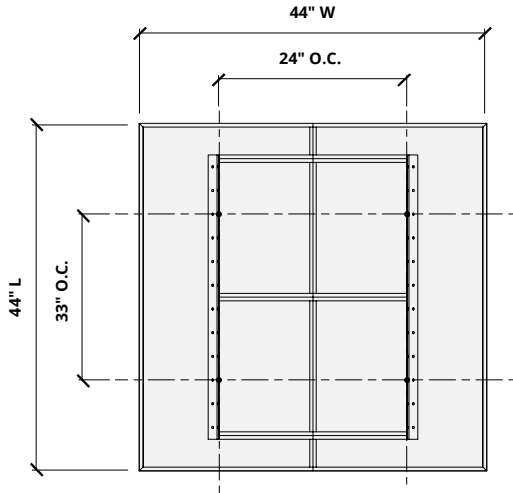


12mm  
thickness



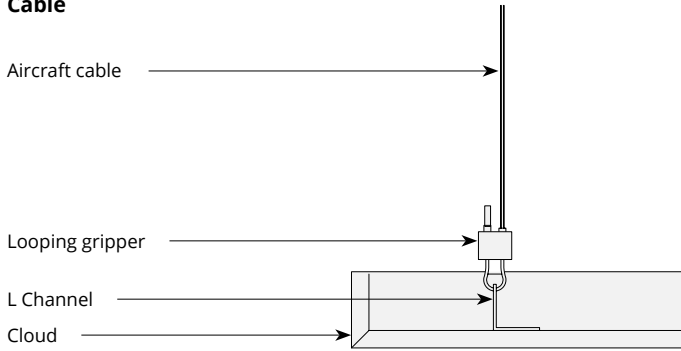
# Hardware Spacing

44" W	24" on center spacing
44" L	33" on center spacing
96" L	81" on center spacing

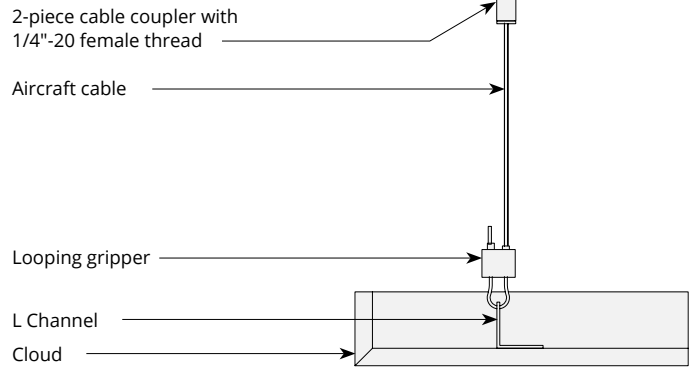


# Mounting Methods

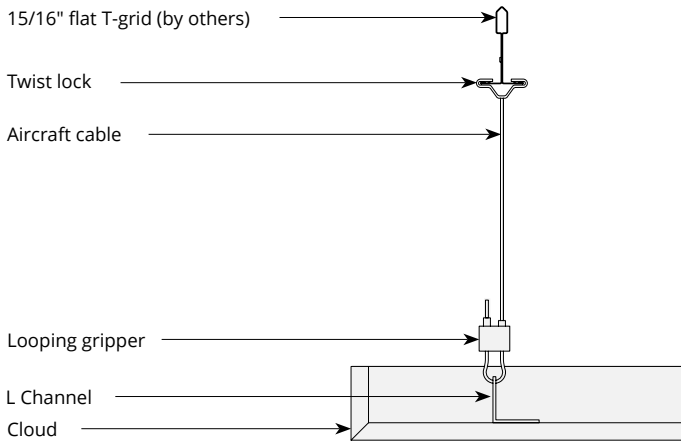
## Cable



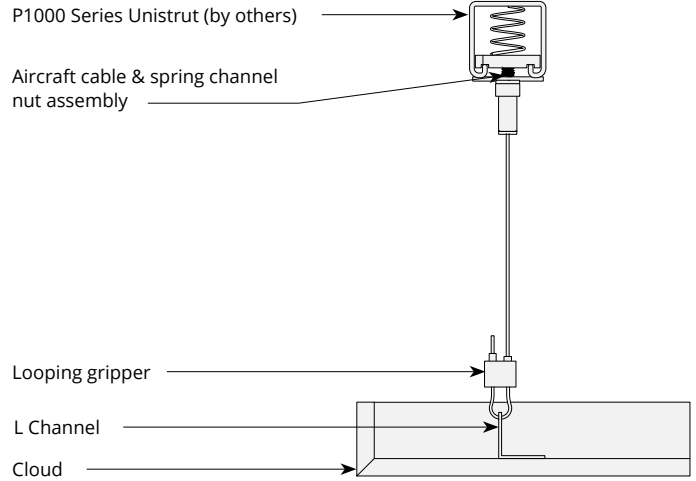
## Cable to deck



## Cable to T-grid

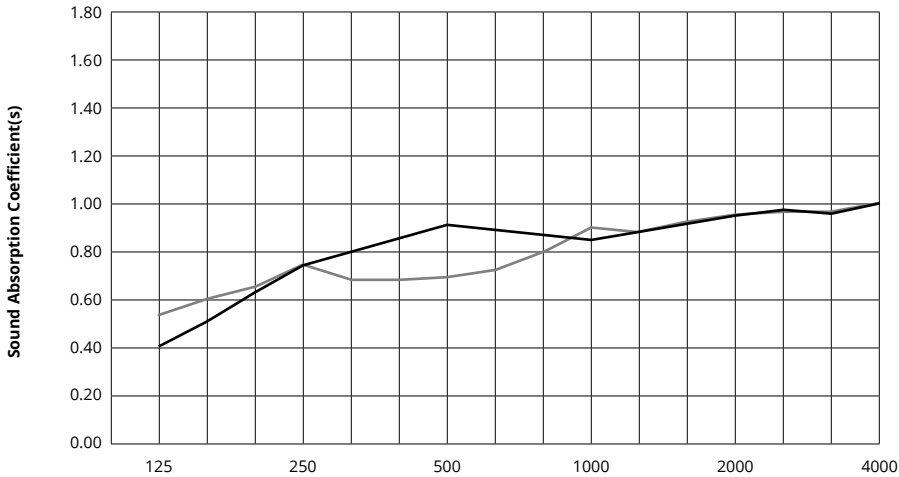


## Cable to Unistrut



# Acoustic Performance

<b>Test Method</b>	ISO 11654-2002
<b>Install Method</b>	E200, E400
<b>Rating Method</b>	ASTM C423-09a
<b>Test Results</b>	NRC 0.85, 200mm air gap SAA 0.86, 200mm air gap NRC 0.80, 400mm air gap SAA 0.83, 400mm air gap



	Frequency f (Hz)	125	250	500	1000	2000	4000	NRC
	12mm, 200mm air gap	0.40	0.75	0.90	0.85	0.95	1.00	0.85
	12mm, 400mm air gap	0.55	0.75	0.70	0.90	0.95	1.00	0.80

## What is a Noise Reduction Coefficient (NRC)?

You'll find the NRC rating in the specifications of all of our products. This acronym stands for Noise Reduction Coefficient, and is expressed as a single number, a rating that describes the degree to which acoustic products can absorb sound.

You can use NRC values to understand the overall performance of our acoustic wall and ceiling products. The higher the NRC, the better the product is at soaking up the sound.

*Performance Indices: Noise Reduction Coefficient (NRC) results represent the absorption coefficients measured at the one third octave bands at 125, 250, 500, 1000, 2000 and 4000 Hz rounded to the nearest 0.05. Acoustic testing has been performed according to the methods mentioned above. Customization of installation of the product could alter the results. Sound Absorption Average (SAA) indicates the absorption coefficient average for the twelve one-third octave bands ranging between 200 and 2500 Hz.*