

## Rooftop, Butterfly Ceiling Clouds

Premier Collection

Rooftop ceiling clouds combine modern aesthetics with exceptional functionality. Crafted from high-quality acoustic felt and available in a range of colors, their dynamic geometric design adds depth and visual intrigue to any space.

More than just visually captivating, Rooftop Clouds are designed with angled surfaces and premium materials to deliver outstanding sound absorption, effectively reducing noise and improving acoustics. Ideal for large, open areas, these ceiling clouds provide a versatile solution that enhances the style and functionality of any environment, making a bold architectural statement.

## Specifications

<b>Surface</b>	Ceiling
<b>Material</b>	FilaSorb™ polyester felt
<b>Thickness</b>	1/2", 12mm (±10%)
<b>Weight</b>	0.49 lb./ft <sup>2</sup> (±10%)
<b>Standard Sizes</b>	44" W x 44" L x 2" H 44" W x 96" L x 2" H



Rooftop, Butterfly Ceiling Cloud in Currant, Almond and Slate

## Technical

<b>NRC Rating</b>	0.85, 200mm air gap 0.80, 400mm air gap
<b>Fire Test</b>	ASTM E84, Class A Flame spread index: 15 Smoke developed index: 200
<b>Water Sorption</b>	ASTM C1104-2019 (A Modified) Water sorbed by weight: 0.20% (based on a 12mm thick panel)
<b>Colorfastness</b>	ISO 105-B02, 6-7

## Details

<b>Lead Time</b>	3 – 6 weeks
<b>Origin</b>	Manufactured and assembled in the US
<b>Warranty</b>	Product: 20 years* Colorfastness: 20 years*

\* Conditions apply

## Environmental

<b>Recycled Content</b>	Minimum 60%
<b>Energy</b>	Generated using 40% solar energy
<b>Indoor Air Quality</b>	VOC less than/equal to 0.5mg/m <sup>3</sup>
<b>Recyclable</b>	100%*
<b>Certifications</b>	Declare Certification - LBC Red List Free (third-party verified) SCS Global Indoor Advantage Gold

\* PET is recyclable through participating partners.



Call **800.966.8557** with questions or visit **acoufelt.com** for more product information, downloads, and colorways.

# Colorways

## PREMIER

							
White WH12	Almond AL55	Celery CE65	Sencha SE58	Metal ME03	Flamingo FL61	Quartz QU67	Turmeric TU60
							
Platinum PL04	Pearl PE21	Pistachio PI25	Thistle TH28	Stonewash ST72	Amethyst AM69	Valentine VA70	Wheat WH68
							
Grey GR02	Ivory IV11	Eucalyptus EU71	Peacock PE20	Periwinkle PE23	Lilac LI13	Peach PE19	Popcorn PO26
							
Slate SL27	Umber UM54	Wasabi WA29	Sea Salt SE57	Marine MA15	Berry BE06	Peppercorn PE22	Carrot CA08
							
Charcoal CH01	Walnut WA56	Oregano OR18	Azure AZ05	Iris IR10	Flint FL64	Shiraz SH63	Currant CU59
							
Piano Black PI24	Midnight MI16	Kale KA12	Denim DE09	Granite GR62			

Order samples at [acoufelt.com/colorways](https://acoufelt.com/colorways)

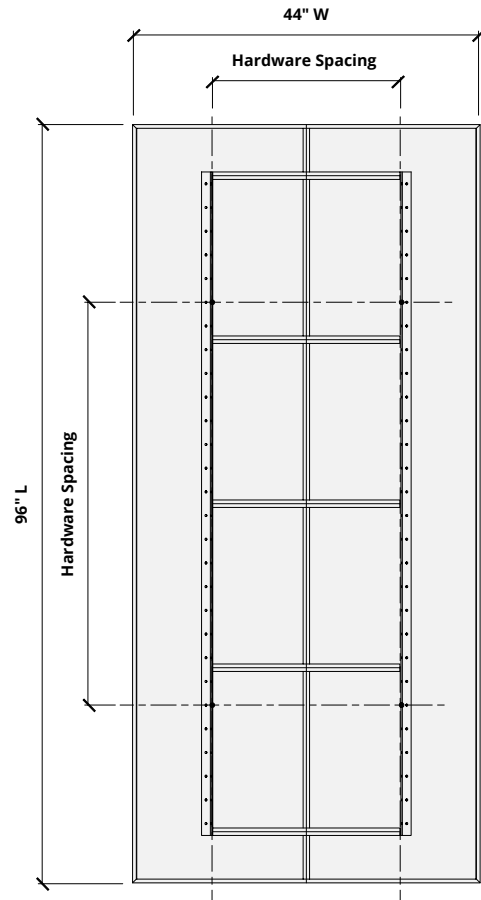
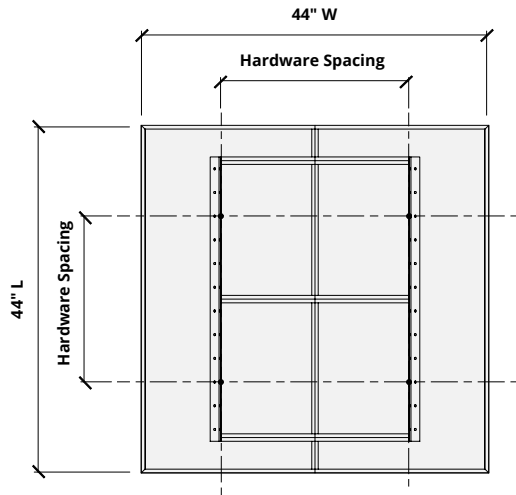


Call 800.966.8557 with questions or visit [acoufelt.com](https://acoufelt.com) for more product information, downloads, and colorways.

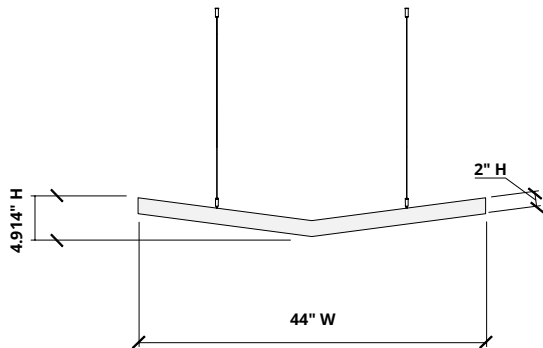
# Sizes

<b>Standard Sizes</b>	44" W x 44" L x 2" H 44" W x 96" L x 2" H
<b>Thickness</b>	1/2", 12mm (±10%)

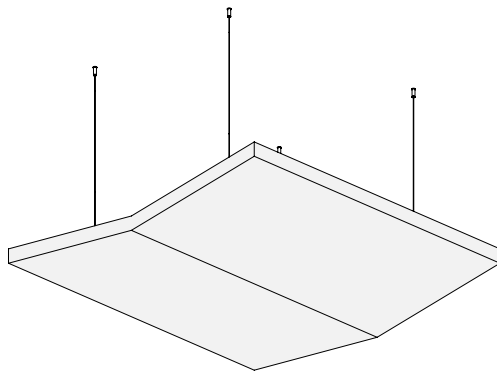
## Plan



## Elevation



## Perspective

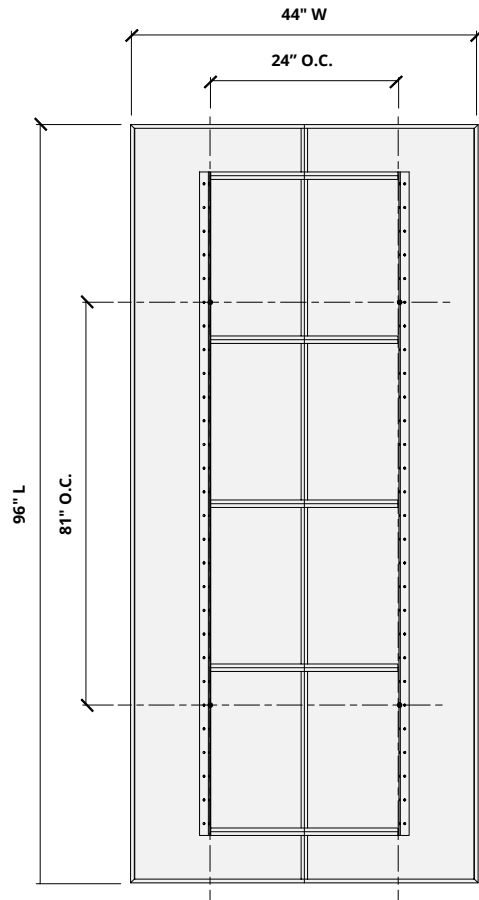
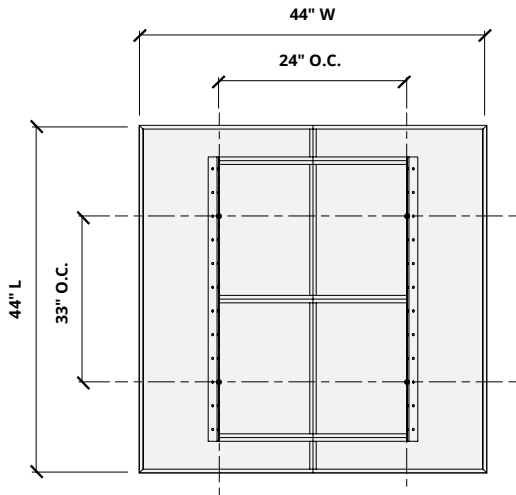


12mm  
thickness



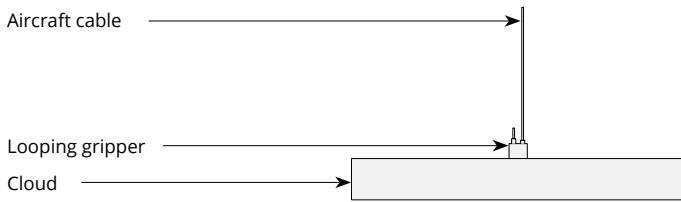
# Hardware Spacing

44" W	24" on center spacing
44" L	33" on center spacing
96" L	81" on center spacing

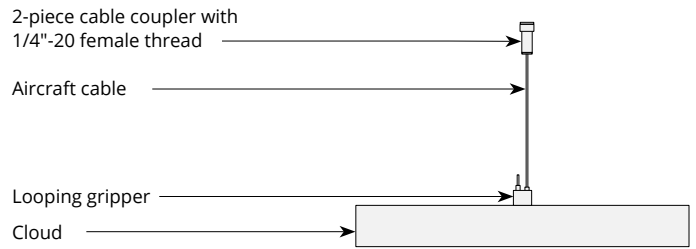


# Mounting Methods

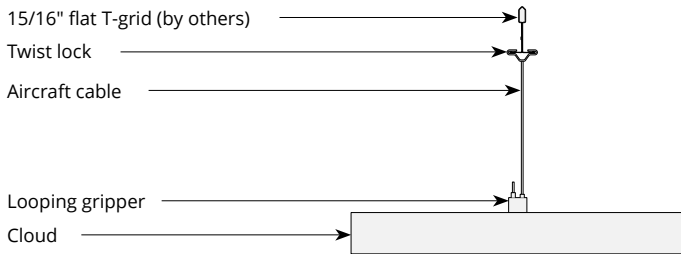
## Cable



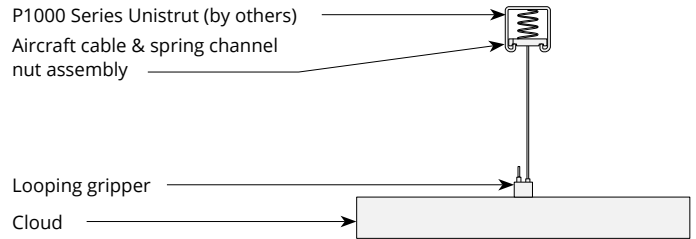
## Cable to deck



## Cable to T-grid

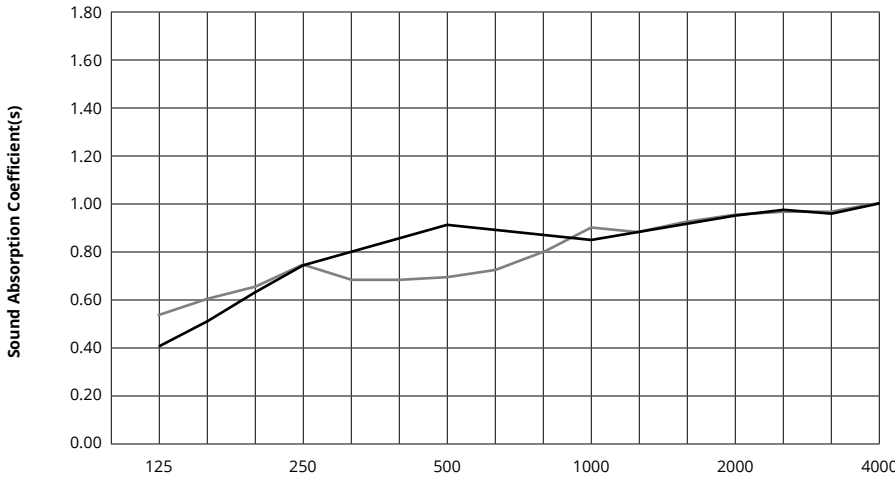


## Cable to Unistrut



# Acoustic Performance

<b>Test Method</b>	ISO 11654-2002
<b>Install Method</b>	E200, E400
<b>Rating Method</b>	ASTM C423-09a
<b>Test Results</b>	NRC 0.85, 200mm air gap SAA 0.86, 200mm air gap NRC 0.80, 400mm air gap SAA 0.83, 400mm air gap



Frequency f (Hz)	125	250	500	1000	2000	4000	NRC
12mm, 200mm air gap	0.40	0.75	0.90	0.85	0.95	1.00	0.85
12mm, 400mm air gap	0.55	0.75	0.70	0.90	0.95	1.00	0.80

## What is a Noise Reduction Coefficient (NRC)?

You'll find the NRC rating in the specifications of all of our products. This acronym stands for Noise Reduction Coefficient, and is expressed as a single number, a rating that describes the degree to which acoustic products can absorb sound.

You can use NRC values to understand the overall performance of our acoustic wall and ceiling products. The higher the NRC, the better the product is at soaking up the sound.

*Performance Indices: Noise Reduction Coefficient (NRC) results represent the absorption coefficients measured at the one third octave bands at 125, 250, 500, 1000, 2000 and 4000 Hz rounded to the nearest 0.05. Acoustic testing has been performed according to the methods mentioned above. Customization of installation of the product could alter the results. Sound Absorption Average (SAA) indicates the absorption coefficient average for the twelve one-third octave bands ranging between 200 and 2500 Hz.*