



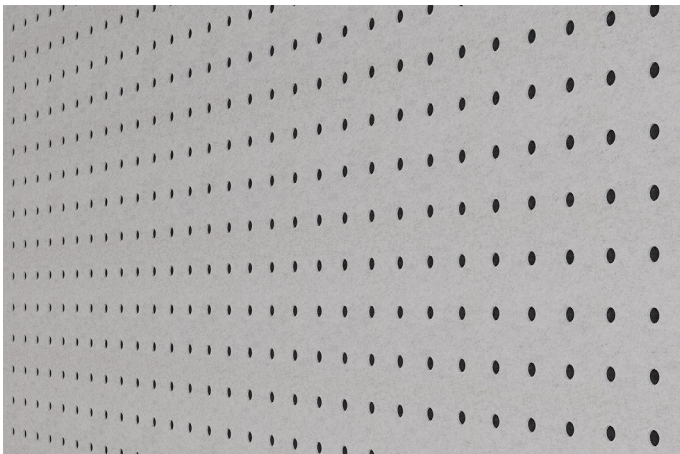
Pixel Wall Panels

Essentials Collection

Pixel is a double-layer acoustic wall covering with precision patterns cut into the outer layer to reveal the second layer beneath. Adding depth, texture, pattern, color, and sound absorption, these soundscaping elements work together to make quiet beautiful. Choose any two colors from the Essentials palette to create your Pixel pattern.

Specifications

Surface	Wall
Material	WhispaTex™ polyester felt
Thickness	3/4", 18mm (±10%)
Weight	0.68 lb./ft ² (±10%)
Standard Sizes	48" W x 108" H <i>Custom sizes available</i>



Pixel Wall Panel with Rectangle Pattern in Shale and Pumice

Technical

NRC Rating	Material: 0.35 Product: Testing is pending
Fire Test	ASTM E84, Class 1 Flame spread index: 7 Smoke developed index: 160
Colorfastness	ISO 105-B02, 4

Details

Lead Time	3 – 6 weeks
Origin	Manufactured and assembled in the US
Warranty	Product: 20 years* Colorfastness: 20 years*

* Conditions apply

Environmental

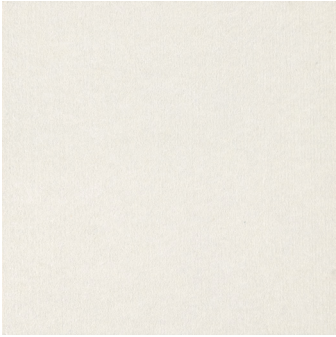
Recycled Content	Minimum 55%
Indoor Air Quality	VOC less than/equal to 0.5mg/m ³
Recyclable	100%*
Certifications	TVOC Emissions Rate

* PET is recyclable through participating partners.

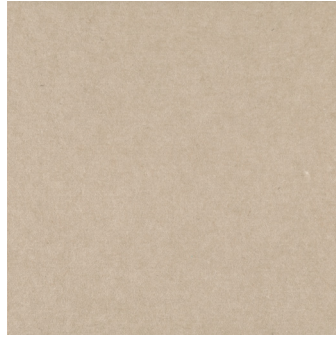


Colorways

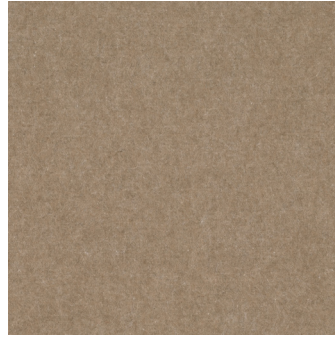
ESSENTIALS



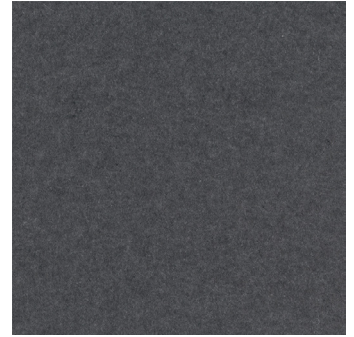
Talc
TA08



Limestone
LI07



Silt
SI06



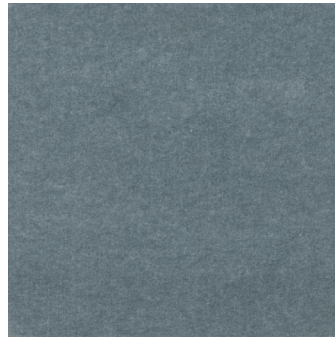
Shale
SH03



Pumice
PU05



Gypsum
GY04



Jade
JA02



Basalt
BA01

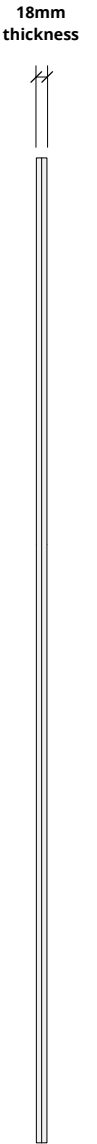
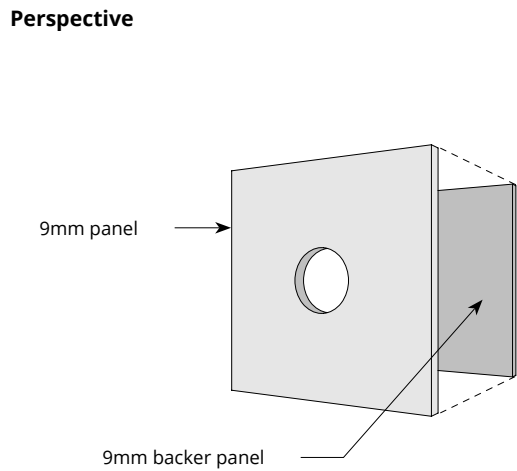
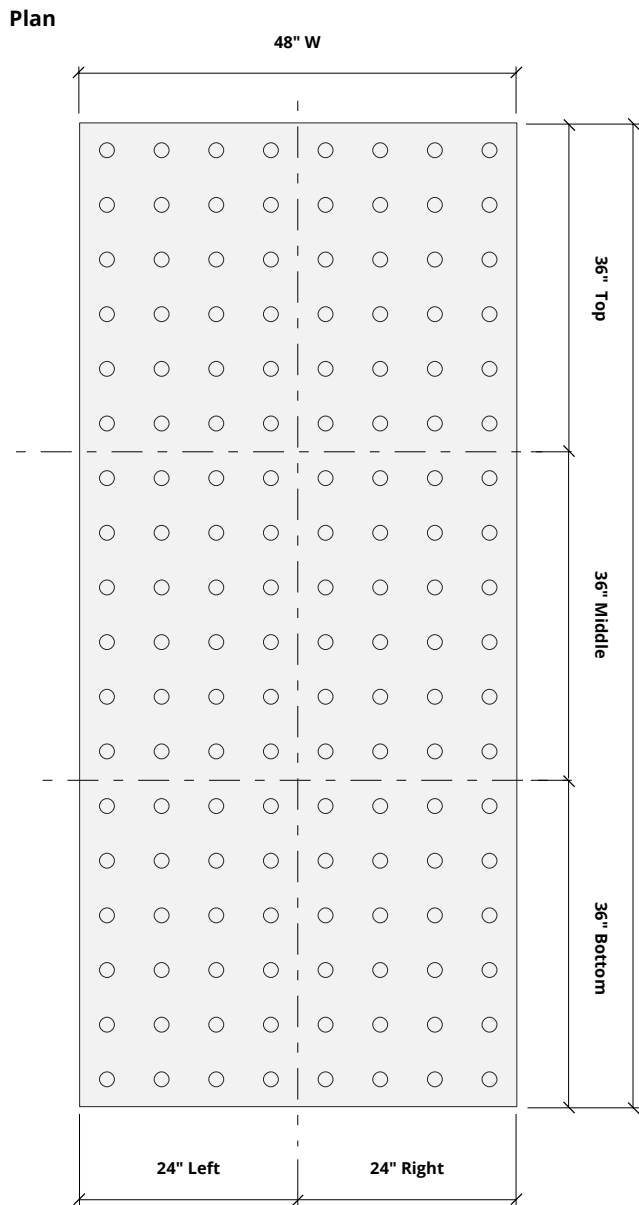
Order samples at acoufelt.com/colorways



Call **800.966.8557** with questions or visit acoufelt.com for more product information, downloads, and colorways.

Sizes

Standard Sizes	48" W x 108" H <i>Custom sizes available</i>
Thickness	3/4", 18mm (±10%)



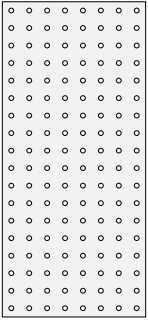
* Product available as full panels or as sections of a panel as filler pieces.
Choose any of the standard height or segments (i.e. bottom right, middle left, etc) to fill the space as needed.

How to Specify

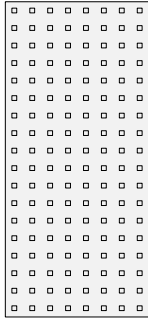
1. Choose Panel Pattern

2. Choose Colorways

Select desired panel pattern.



CIRCLE

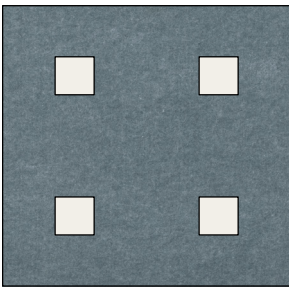


SQUARE

1. Choose Panel Pattern

2. Choose Colorways

Select two colors: one for the face panel and one for the back panel to create a Pixel that is uniquely yours. See colorways on page 3.

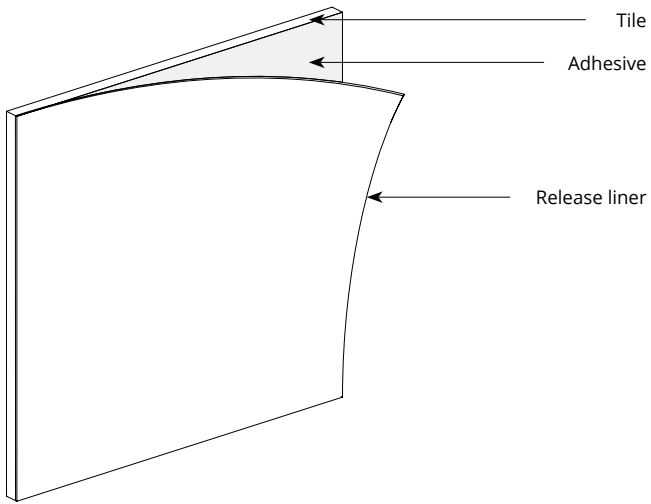


Square in Jade and Talc

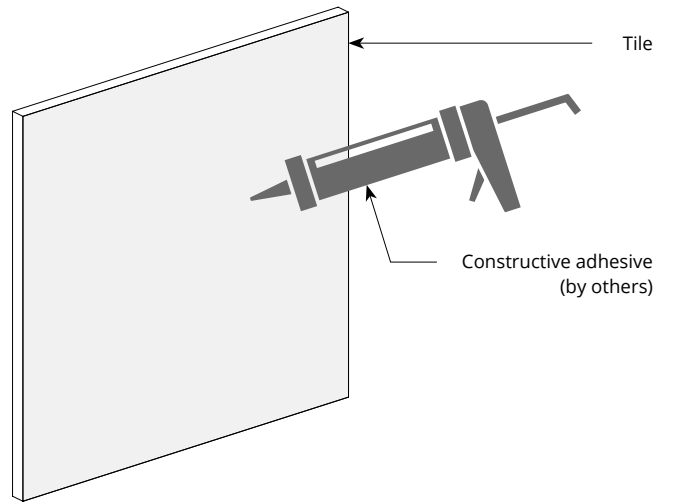


Mounting Methods

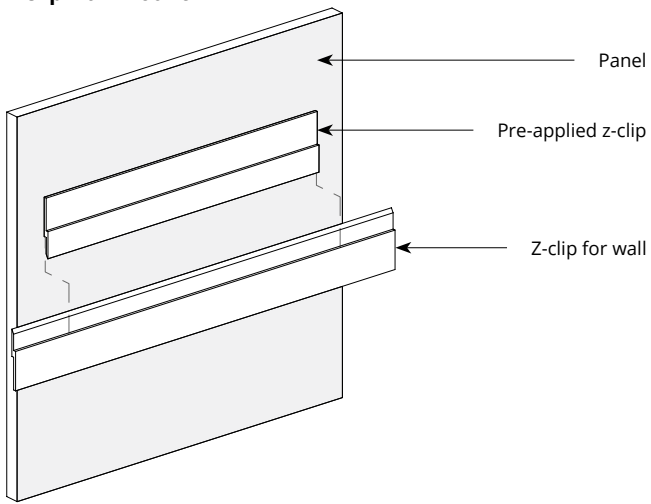
Adhesive backing



Construction adhesive

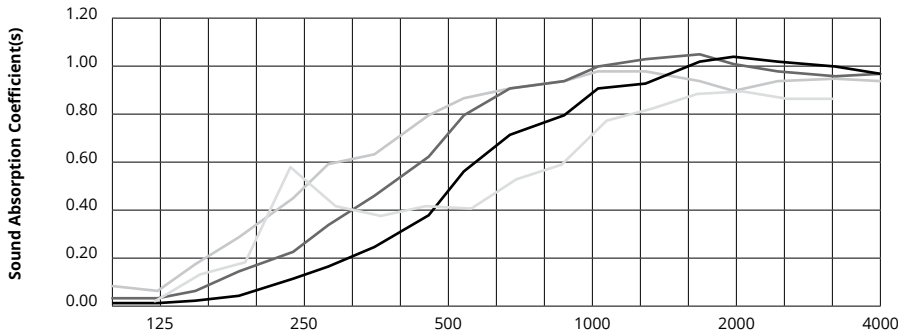


Z-clip wall mount



Acoustic Performance

Test Method	ISO 354-2006
Install Method	A
Rating Method	ISO 11654-2002
Test Results	<p>14mm NRC 0.55, no air gap NRC 0.70, 20mm air gap NRC 0.75, 50mm air gap SAA 0.56, no air gap SAA 0.70, 20mm air gap SAA 0.76 50mm air gap</p> <p>24mm NRC 0.60, no air gap</p>



	Frequency f (Hz)	125	250	500	1000	2000	4000	NRC
	14mm	0.01	0.11	0.37	0.78	1.00	0.98	0.55
	14mm, 20mm air gap	0.03	0.22	0.61	0.93	1.03	0.94	0.70
	14mm, 50mm air gap	0.06	0.44	0.78	0.92	0.92	0.93	0.75
	24mm	0.02	0.57	0.41	0.58	0.87	0.85	0.60

What is a Noise Reduction Coefficient (NRC)?

You'll find the NRC rating in the specifications of all of our products. This acronym stands for Noise Reduction Coefficient, and is expressed as a single number, a rating that describes the degree to which acoustic products can absorb sound.

You can use NRC values to understand the overall performance of our acoustic wall and ceiling products. The higher the NRC, the better the product is at soaking up the sound.

Performance Indices: Noise Reduction Coefficient (NRC) results represent the absorption coefficients measured at the one third octave bands at 125, 250, 500, 1000, 2000 and 4000 Hz rounded to the nearest 0.05. Acoustic testing has been performed according to the methods mentioned above. Customization of installation of the product could alter the results. Sound Absorption Average (SAA) indicates the absorption coefficient average for the twelve one-third octave bands ranging between 200 and 2500 Hz.