

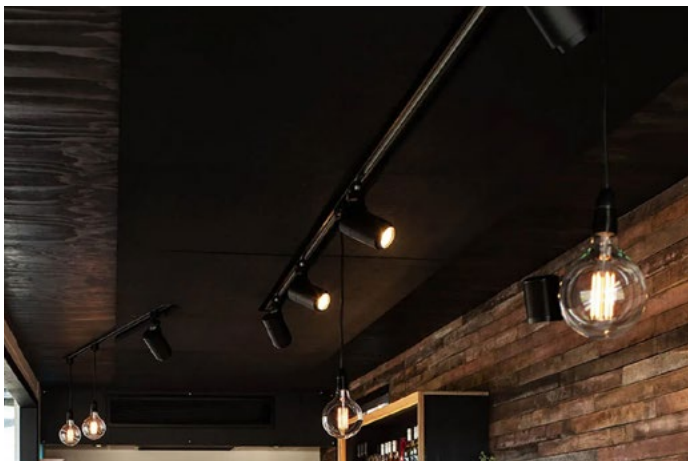
## Solid: 7, 9mm Ceiling Panels

Premier Collection

Acoustic ceiling panels are a great tool for stopping sound reverberation in a whole room or in targeted areas within a large space. Place them over performance areas, meeting areas, anywhere crowds gather to quiet sound levels over the entire space.

## Specifications

<b>Surface</b>	Ceiling
<b>Material</b>	FilaSorb™ polyester felt
<b>Thickness</b>	7mm (±10%) 9mm (±10%)
<b>Weight</b>	7mm, 0.29 lb./ft <sup>2</sup> (±10%) 9mm, 0.37 lb./ft <sup>2</sup> (±10%)
<b>Standard Sizes</b>	Width: 12" up to 48" W (6" increments) Height: 12" up to 108" H (6" increments), 110" H



Solid Ceiling Panel in Piano Black

## Technical

<b>NRC Rating</b>	7mm: 0.25 9mm: 0.30
<b>Fire Test</b>	ASTM E84, Class A Flame spread index: 15 Smoke developed index: 200
<b>Water Sorption</b>	ASTM C1104-2019 (A Modified) Water sorbed by weight: 0.20% (based on a 12mm thick panel)
<b>Colorfastness</b>	ISO 105-B02, 6-7

## Details

<b>Lead Time</b>	3 – 6 weeks
<b>Origin</b>	Manufactured and assembled in the US
<b>Warranty</b>	Product: 20 years* Colorfastness: 20 years*

\* Conditions apply

## Environmental

<b>Recycled Content</b>	Minimum 60%
<b>Energy</b>	Generated using 40% solar energy
<b>Indoor Air Quality</b>	VOC less than/equal to 0.5mg/m <sup>3</sup>
<b>Recyclable</b>	100%*
<b>Certifications</b>	Environmental Product Declaration Declare Certification - LBC Red List Free (third-party verified) SCS Global Indoor Advantage Gold

\* PET is recyclable through participating partners.

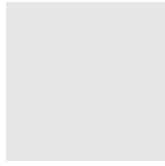


# Colorways

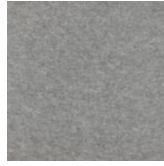
## PREMIER: 7, 9mm



**Metal**  
ME03



**Platinum**  
PL04



**Grey**  
GR02



**Charcoal**  
CH01

---

Order samples at [acoufelt.com/colorways](https://www.acoufelt.com/colorways)

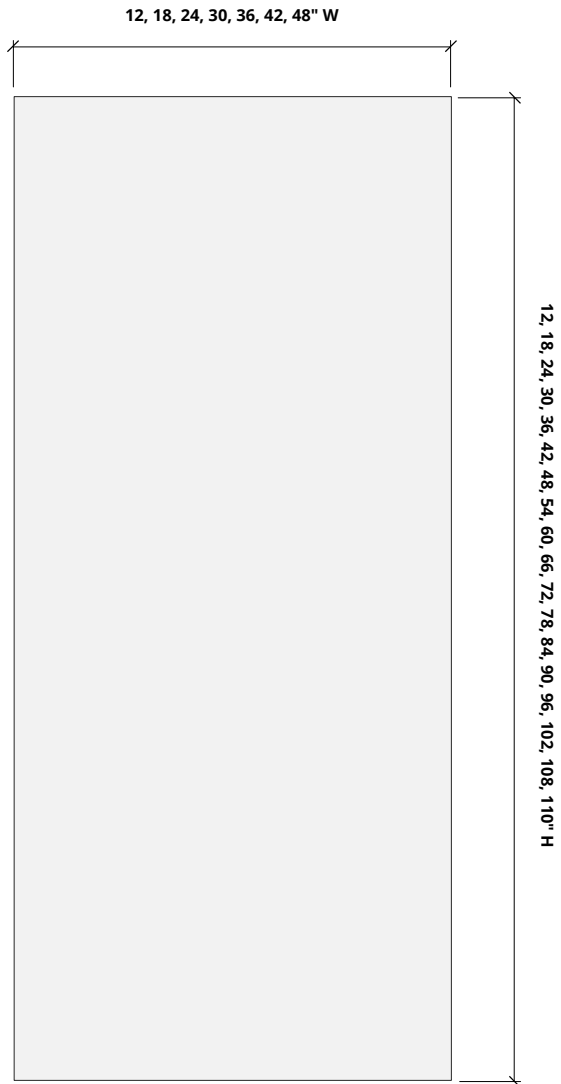


Call **800.966.8557** with questions or visit [acoufelt.com](https://www.acoufelt.com) for more product information, downloads, and colorways.

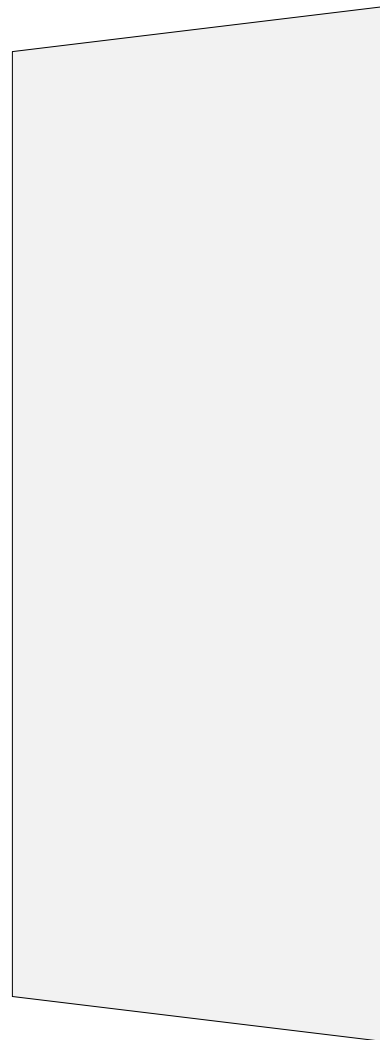
# Sizes

<b>Standard Sizes</b>	12" up to 48" W (6" increments) 12" up to 108" H (6" increments), 110" H
<b>Thickness</b>	7mm (±10%) 9mm (±10%)

**Plan**



**Perspective**

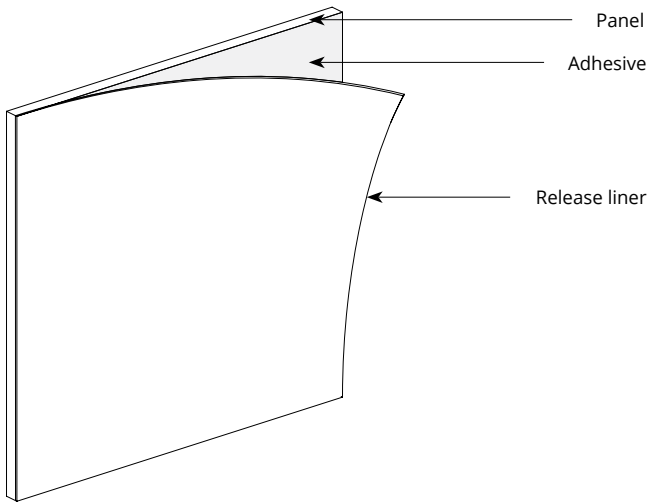


**12mm thickness**

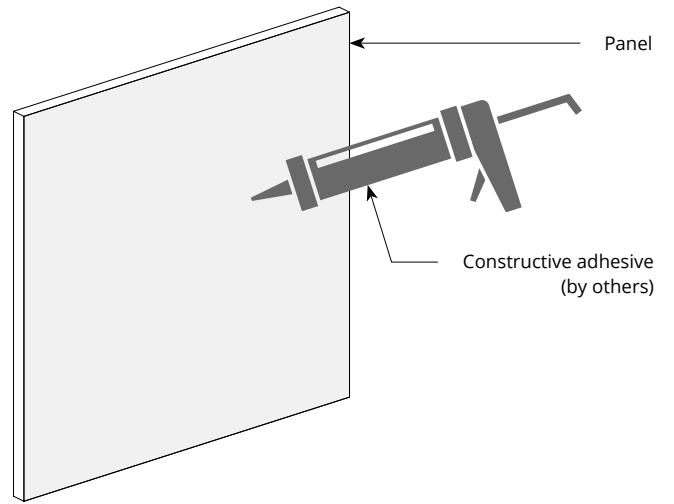


# Mounting Methods

## Adhesive backing

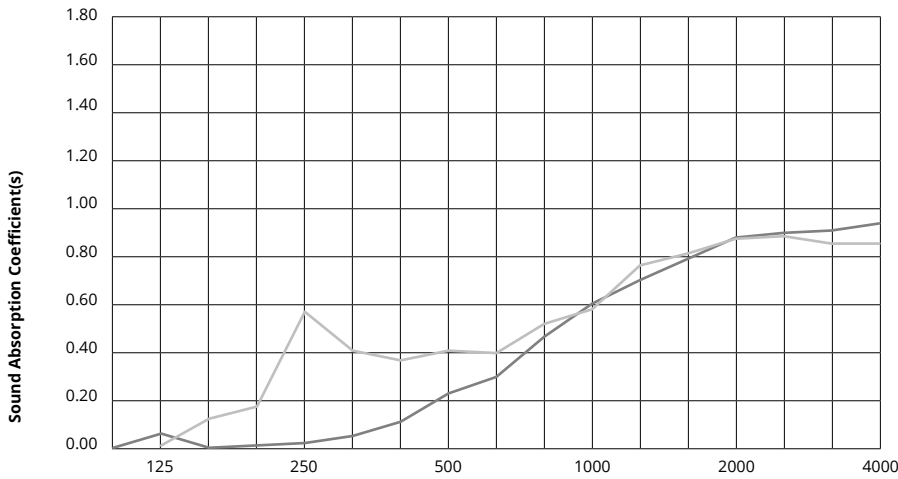


## Construction adhesive



# Acoustic Performance

<b>Test Method</b>	<b>12mm</b> ASTM C423-09a <b>24mm</b> ASTM E795-16
<b>Install Method</b>	A
<b>Rating Method</b>	ISO 11654-2002
<b>Test Results</b>	2mm: Product acoustic testing in progress 12mm: 0.45, no air gap 24mm: 0.60, no air gap



Frequency f (Hz)	125	250	500	1000	2000	4000	NRC
2mm	Product acoustic testing in progress						NA
12mm	0.06	0.02	0.23	0.61	0.89	0.95	0.45
24mm	0.02	0.57	0.41	0.58	0.87	0.85	0.60

## What is a Noise Reduction Coefficient (NRC)?

You'll find the NRC rating in the specifications of all of our products. This acronym stands for Noise Reduction Coefficient, and is expressed as a single number, a rating that describes the degree to which acoustic products can absorb sound.

You can use NRC values to understand the overall performance of our acoustic wall and ceiling products. The higher the NRC, the better the product is at soaking up the sound.

*Performance Indices: Noise Reduction Coefficient (NRC) results represent the absorption coefficients measured at the one third octave bands at 125, 250, 500, 1000, 2000 and 4000 Hz rounded to the nearest 0.05. Acoustic testing has been performed according to the methods mentioned above. Customization of installation of the product could alter the results. Sound Absorption Average (SAA) indicates the absorption coefficient average for the twelve one-third octave bands ranging between 200 and 2500 Hz.*