

Pan

Ceiling Clouds

Premier Collection

Pan is a dimensional ceiling cloud designed to make high-ceiling spaces feel more intimate and conversation-friendly. Its raised center sits higher than its perimeter, adding visual depth while enhancing sound absorption. With a range of sizes, widths, lengths, and heights available, Pan allows you to craft a customized, dynamic ceiling environment that perfectly suits your space.

Specifications

Surface	Ceiling		
Material	FilaSorb™ polyester felt		
Thickness	1/2", 12mm (±10%)		
Weight	0.49 lb./ft² (±10%)		
Standard Sizes	Slat Thickness	Height	Width x Length
	1" T	4, 6, 8" H	24" W x 48" L 36" W x 36" L 48" W x 48" L



Pan Ceiling Cloud in Almond

Technical

NRC Rating	Pending product testing
Fire Test	ASTM E84, Class A Flame spread index: 15 Smoke developed index: 200
Water Sorption	ASTM C1104-2019 (A Modified) Water sorbed by weight: 0.20% (based on a 12mm thick panel)
Colorfastness	ISO 105-B02, 6-7

Details

Lead Time	3 – 6 weeks
Origin	Manufactured and assembled in the US
Warranty	Product: 20 years* Colorfastness: 20 years*

* Conditions apply

Environmental

Recycled Content	Minimum 60%
Energy	Generated using 40% solar energy
Indoor Air Quality	VOC less than/equal to 0.5mg/m3
Recyclable	100%*
Certifications	Declare Certification - LBC Red List Free (third-party verified) SCS Global Indoor Advantage Gold

* PET is recyclable through participating partners.



Colorways

PREMIER

							
White WH12	Almond AL55	Celery CE65	Sencha SE58	Metal ME03	Flamingo FL61	Quartz QU67	Turmeric TU60
							
Platinum PL04	Pearl PE21	Pistachio PI25	Thistle TH28	Stonewash ST72	Amethyst AM69	Valentine VA70	Wheat WH68
							
Grey GR02	Ivory IV11	Eucalyptus EU71	Peacock PE20	Periwinkle PE23	Lilac LI13	Peach PE19	Popcorn PO26
							
Slate SL27	Umber UM54	Wasabi WA29	Sea Salt SE57	Marine MA15	Berry BE06	Peppercorn PE22	Carrot CA08
							
Charcoal CH01	Walnut WA56	Oregano OR18	Azure AZ05	Iris IR10	Flint FL64	Shiraz SH63	Currant CU59
							
Piano Black PI24	Midnight MI16	Kale KA12	Denim DE09	Granite GR62			

Order samples at acoufelt.com/colorways



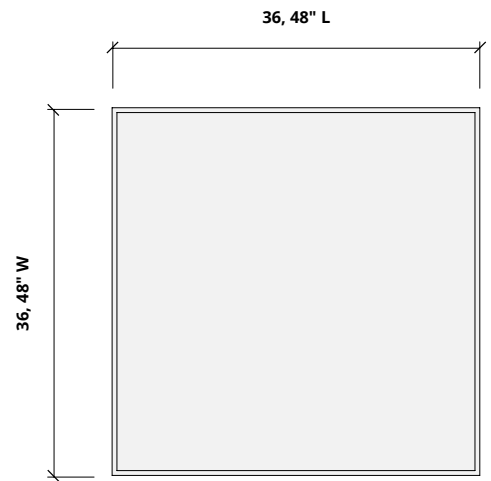
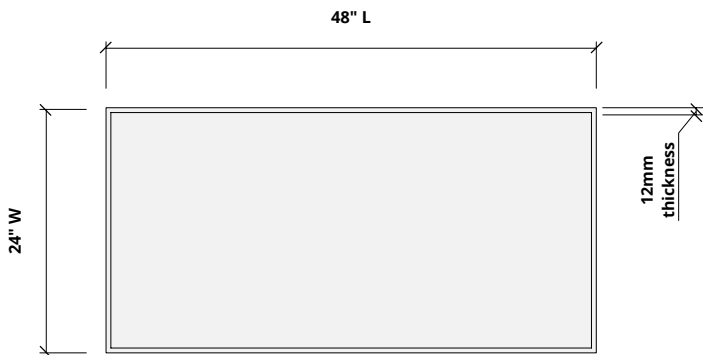
Call 800.966.8557 with questions or visit acoufelt.com for more product information, downloads, and colorways.

Sizes

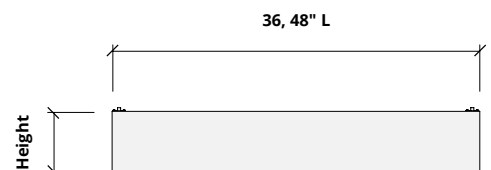
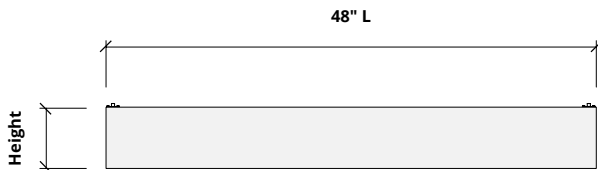
Standard Sizes	Slat Thickness	Height	Width x Length
	1" T	4, 6, 8" H	24" W x 48" L 36" W x 36" L 48" W x 48" L

Thickness	1/2", 12mm (±10%)
-----------	-------------------

Plan



Elevation

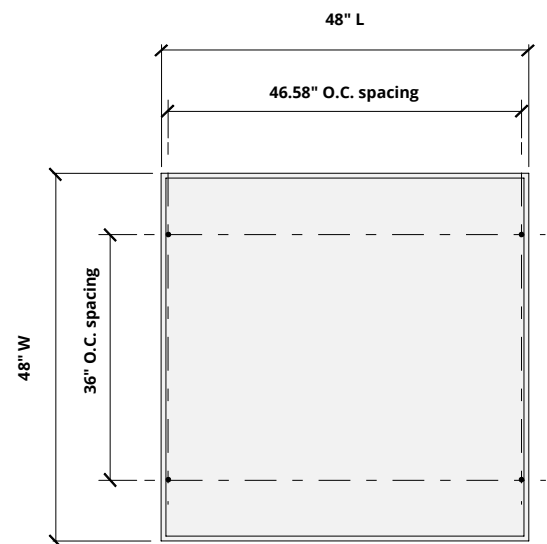
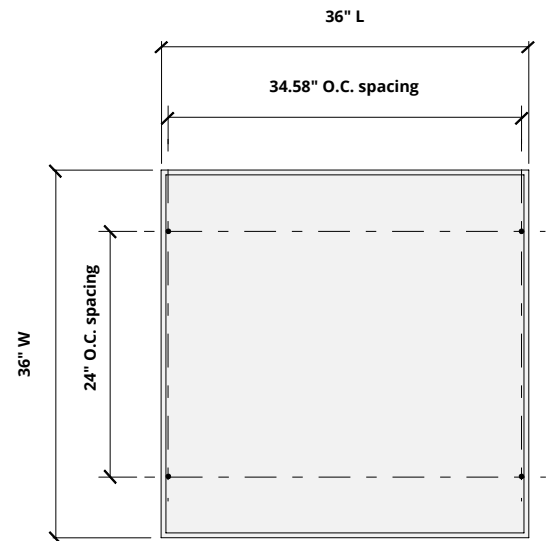
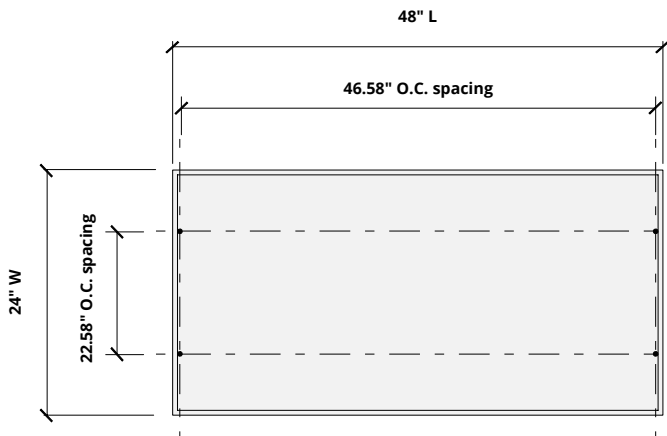


12mm
thickness



Hardware Spacing

24" W	22.58" on center spacing
36" W	24" on center spacing
48" W	36" on center spacing
36" L	34.58" on center spacing
48" L	46.58" on center spacing



How to Specify

1. Choose Sizes

2. Choose Colorways

3. Choose Mounting Method

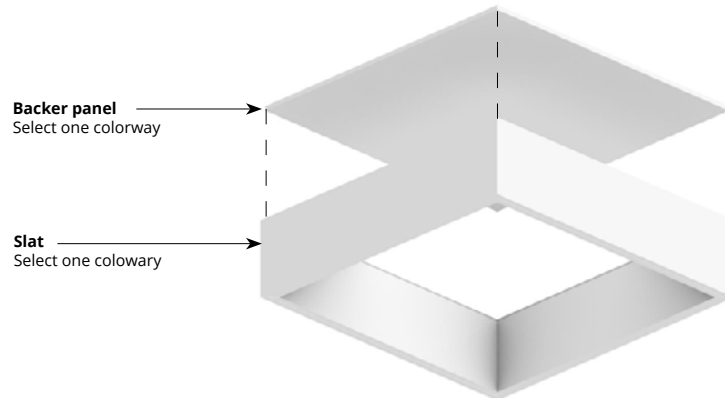
Select desired height and grid size.

1. Choose Sizes

2. Choose Colorway

3. Choose Mounting Method

Select one colorway for your slats and one colorway for your backer panel; or one colorway for both. See page 3 for colorways.



Product ships assembled.

1. Choose Sizes

2. Choose Colorway

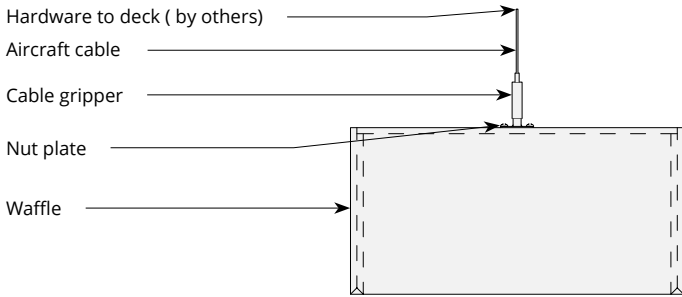
3. Choose Mounting Method

There are several mounting methods available. Choose one that works best for your project needs and preferred aesthetic.

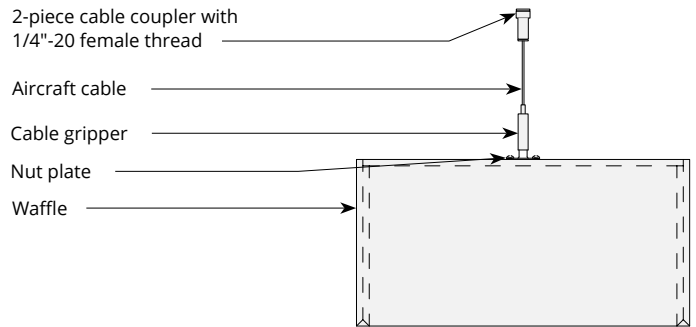


Mounting Methods

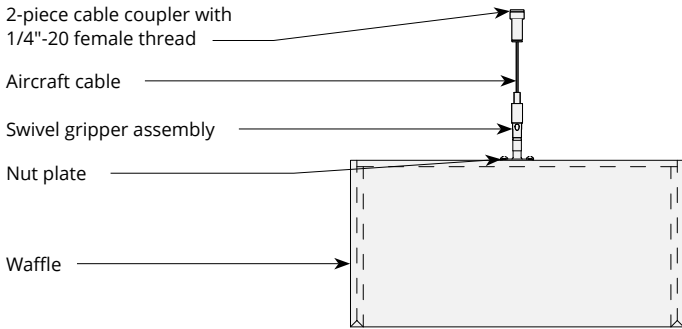
Cable



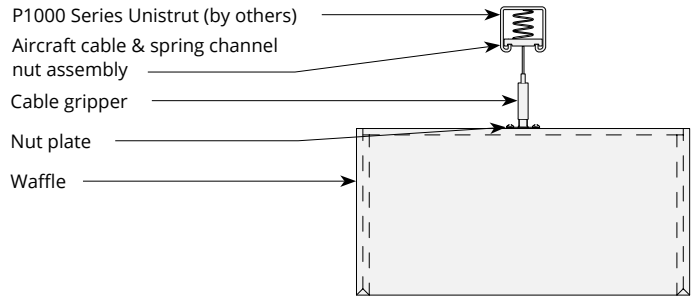
Cable to deck



Swivel cable to deck

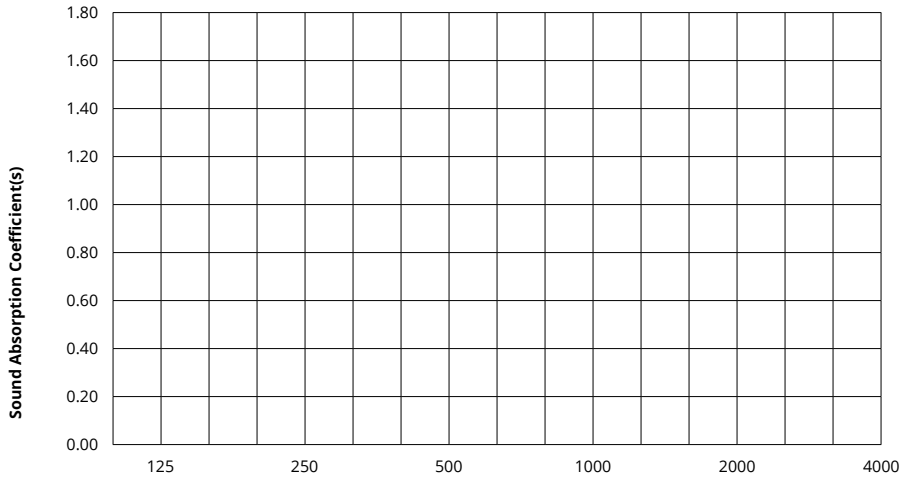


Cable to Unistrut



Acoustic Performance

Test Method	ASTM E795-16
Install Method	A
Rating Method	ISO 11654-1997
Test Results	Pending product testing



	Frequency f (Hz)	125	250	500	1000	2000	4000	NRC
	12mm							

What is a Noise Reduction Coefficient (NRC)?

You'll find the NRC rating in the specifications of all of our products. This acronym stands for Noise Reduction Coefficient, and is expressed as a single number, a rating that describes the degree to which acoustic products can absorb sound.

You can use NRC values to understand the overall performance of our acoustic wall and ceiling products. The higher the NRC, the better the product is at soaking up the sound.

Performance Indices: Noise Reduction Coefficient (NRC) results represent the absorption coefficients measured at the one third octave bands at 125, 250, 500, 1000, 2000 and 4000 Hz rounded to the nearest 0.05. Acoustic testing has been performed according to the methods mentioned above. Customization of installation of the product could alter the results. Sound Absorption Average (SAA) indicates the absorption coefficient average for the twelve one-third octave bands ranging between 200 and 2500 Hz.