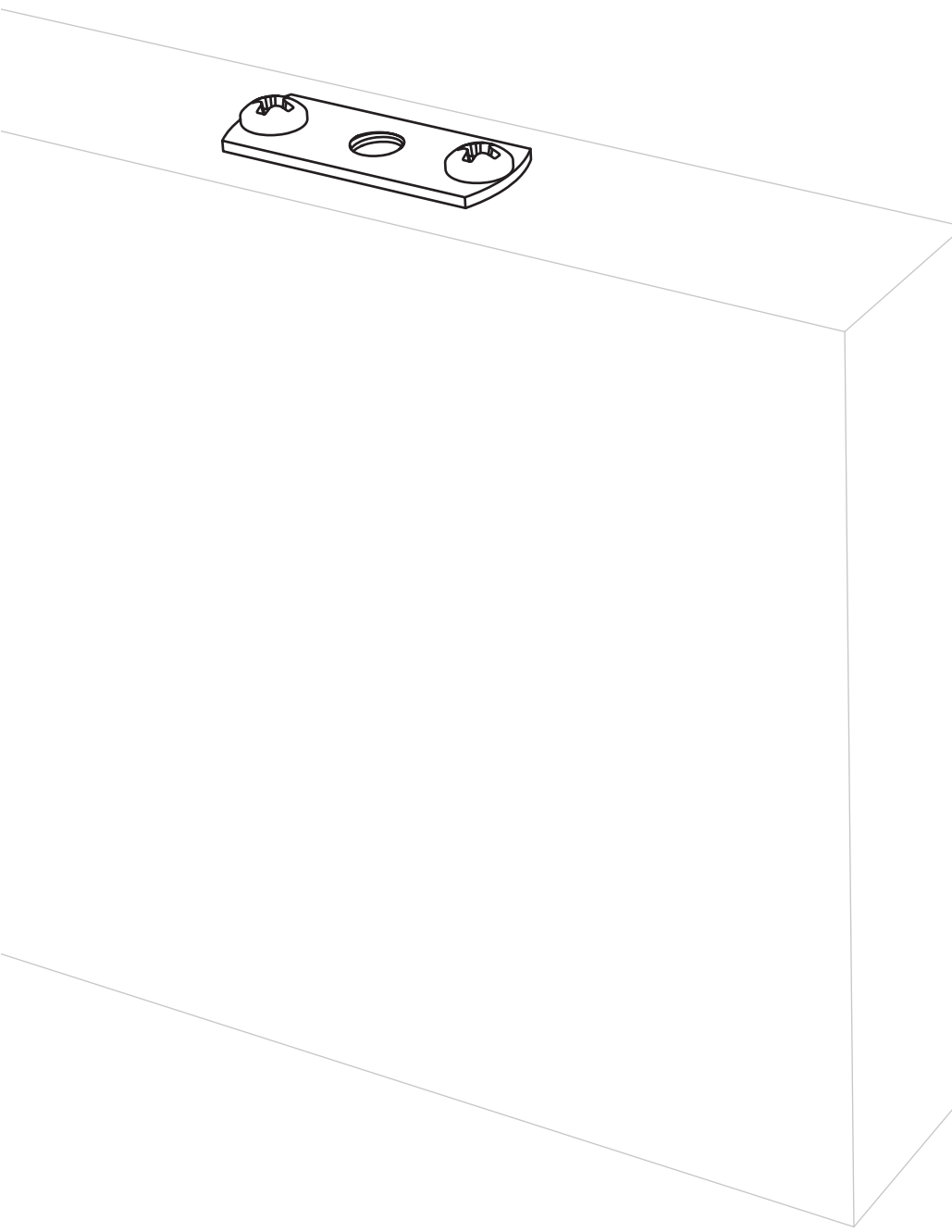


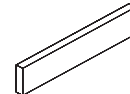
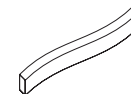
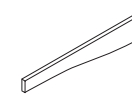

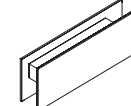
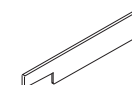
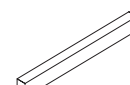


# Ceiling Baffles Installation Guide

Premier, WoodGrain







## Nut Plate Connection

### FOR THESE PRODUCTS:

- |   |  |  |
|---|--|--|
| <br><input type="radio"/> Beam   | <br><input type="radio"/> Billow    | <br><input type="radio"/> Fan*      |
| <br><input type="radio"/> Linear | <br><input type="radio"/> Stack     | <br><input type="radio"/> Step*     |
| <br><input type="radio"/> Truss  | <br><input type="radio"/> Truss LED | <br><input type="radio"/> Versiform |

### FOR THESE MOUNTING METHODS:

- |   |   |
|---|---|
| <input type="radio"/> Cable to Deck<br><input type="radio"/> Cable to T-grid<br><input type="radio"/> Cable to Strut Channel<br><input type="radio"/> Cable |    |
| <input type="radio"/> Swivel Cable to Deck  |  |
| <input type="radio"/> Threaded Rod<br><input type="radio"/> Threaded Rod to Strut Channel   |  |
| <input type="radio"/> Threaded Twist Lock to T-grid   |  |

# Table of Contents

Introduction.....	.03
Hardware and Tools.....	.04
Nut Plate Installation.....	.05
Ceiling Mounting Methods	
1. Cable to Deck.....	.06
2. Cable to T-grid.....	.09
3. Cable to Strut Channel.....	.12
4. Cable Only.....	.15
5. Swivel Cable to Deck.....	.17
6. Threaded Rod Only.....	.20
7. Threaded Rod to Strut Channel.....	.21
8. Threaded Twist Lock to T-grid.....	.23



# Introduction

Acoufelt's ceiling baffles offer both acoustic performance and aesthetic appeal, enhancing a wide variety of spaces. This guide provides step-by-step instructions for installing baffles using a nut plate system, ensuring a secure and seamless installation no matter the setting. Carefully follow these guidelines to achieve optimal results while maintaining the integrity of the design and structure.

## Important Notes

When installing Acoufelt baffles, consult with other relevant trades to ensure that the hanging baffles will not interfere with the performance of any other systems within the installation space.

Verify that all Acoufelt baffles are installed in the correct orientation as indicated in the Acoufelt print and installation plan to maintain consistency and avoid variations that could impact the overall appearance of the finished installation.

Carefully evaluate structural conditions, project load, and load requirements to determine the appropriate anchoring solutions needed for a secure and stable installation.

### Assembly notes and warnings:

Read and follow all instructions carefully before beginning the installation and retain these instructions for future reference. Failure to adhere to these guidelines may result in improper installation, which could compromise the safety, functionality, or aesthetic quality of the finished project. Ensure all components are properly assembled and secured according to the installation plan and follow workplace safety standards while using appropriate personal protective equipment during installation.

## Disclaimer

Acoufelt strives to fulfill the needs of their customers by producing the highest quality felt products; however, due to the fine, fibrous, and textural nature of the product, slight visual imperfections may be seen when viewing the product from less than 3 to 5 feet. These slight visual imperfections are within a normal manufacturing industry tolerance and do not affect the product's performance or durability.

Consult local building codes and/or a fire engineer to determine the proper locations for any baffles in relation to any fire suppression system located with the installation space.

## Installation Tolerances

Variation of baffle dimensions  $\pm [1/16" (1.6mm)]$   
in 110" (2800mm), noncumulative

Variation of baffle thickness  $\pm [10\%]$  in 12mm  
thickness, noncumulative

## Setup and Unpacking

Product shall be stored in a dry interior location and shall remain in boxes prior to installation to avoid damage. The boxes shall be stored in crated orientation and not stacked with any added weight. Proper care should be taken when handling to avoid damage or soiling.

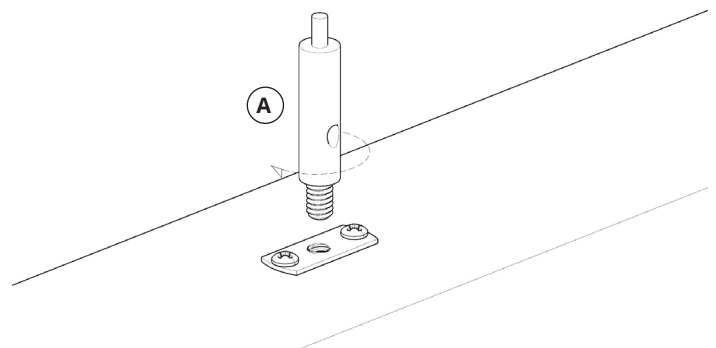
Product containers should only be opened in a clean area, free of construction dust. Wearing clean, cloth gloves, carefully remove the components from the packing materials. Verify all items listed on the packing list are included.

Inspect products after opening. If products appear to be damaged or defective on visual inspection, do not install and contact your Acoufelt representative immediately.

## Using the Instructions

Begin by locating your ceiling mounting method in the table of contents (on the previous page), then refer to its corresponding page in the document.

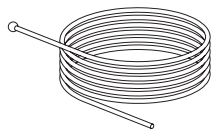
Each mounting method includes a list of required tools (provided by the installer) and parts. Each part will be labeled with a corresponding letter, which will serve as a guide through the mounting method steps and drawings (see example below).



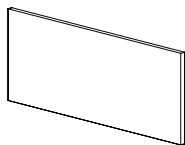
## Hardware



#6 x 1/2" Screws



3/64" Aircraft cable



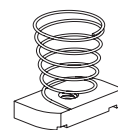
Baffle



Cable coupler



Cable gripper



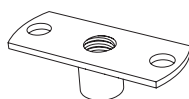
Channel nut



Flat washer



Hex nut



Nut plate



Swivel gripper



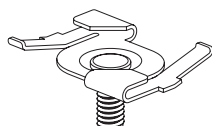
Threaded rod



Threaded stud



Twist lock

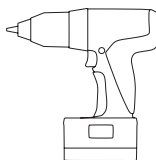


Twist lock with stud

## Tools



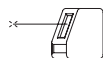
Construction marker



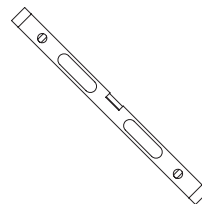
Drill



Hex head wrench



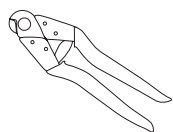
Laser level



Level



Measuring tape



Wire rope cutter

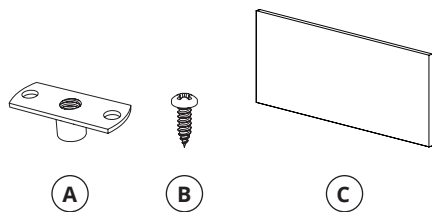


# Nut Plate Installation

Nut plates come pre-installed in Acoufelt baffles; however, if adjustments are needed, you can easily remove the nut plate and reposition it by following these steps:

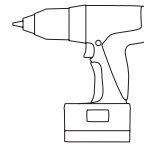
## PARTS LIST\*

- |                     |                       |
|---------------------|-----------------------|
| A. Nut plate        | C. Baffle             |
| B. #6 x 1/2" Screws | *Quantities will vary |



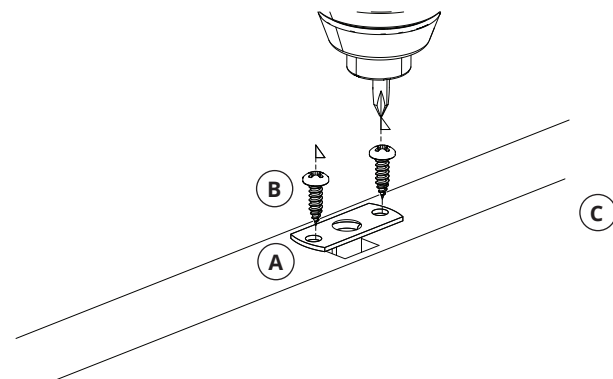
## TOOLS

- Drill



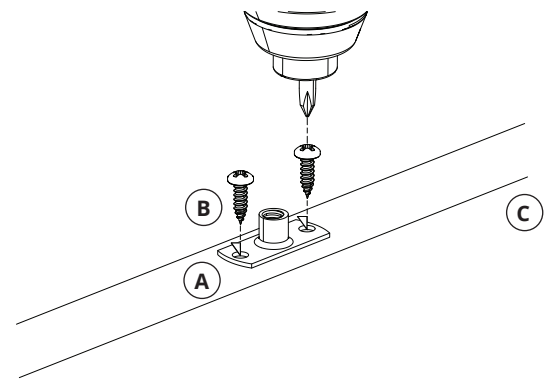
## Step 1: Position or reposition the nut plate

If the nut plate is already installed, the screws will already be attached to the baffle. If repositioning, center the nut plate on the baffle and drill in the screws. The nut plate can face either direction on the baffle.



## Step 2: Secure the nut plate

Attach the nut plate to the baffle using the provided #6 x 1/2" screws. Drill the screws firmly until the nut plate is securely in place.



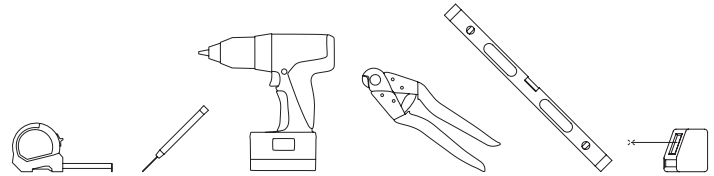
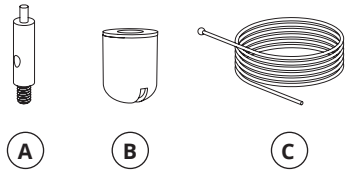
# 1 Cable to Deck

**PARTS LIST\***

- |                  |                              |
|------------------|------------------------------|
| A. Cable gripper | C. 3/64" Aircraft cable      |
| B. Cable coupler | <i>*Quantities will vary</i> |

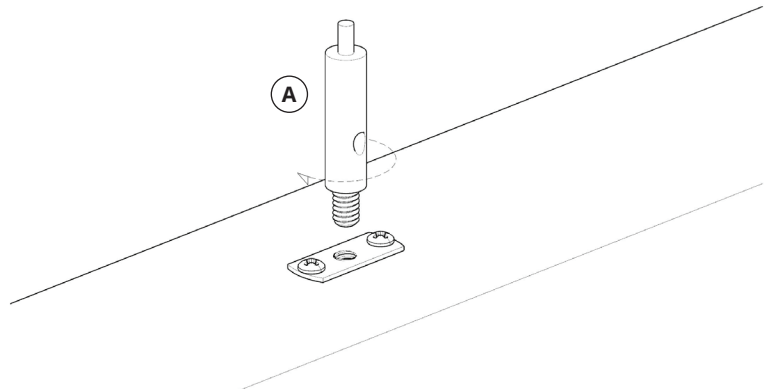
**TOOLS**

- |                     |                  |
|---------------------|------------------|
| Measuring tape      | Wire rope cutter |
| Construction marker | Level            |
| Drill               | Laser level      |



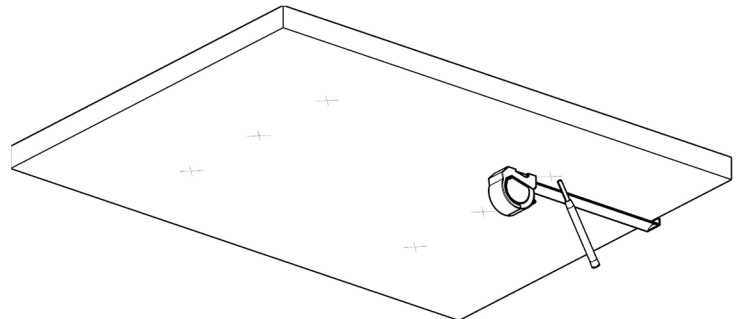
**Step 1: Attach the cable gripper**

Twist the cable gripper into the threads of the nut plate to securely connect it to the baffle.



**Step 2: Mark connection points**

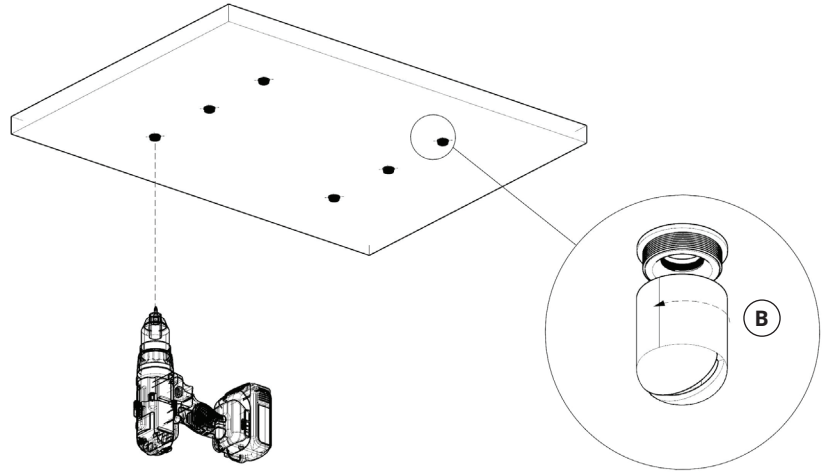
Use a measuring tape or laser level and a construction marker to measure and mark the desired deck connection location. If project-specific installation drawings have been provided, reference the connection layout to ensure proper placement/ mounting locations.



### Step 3: Prepare the cable coupler

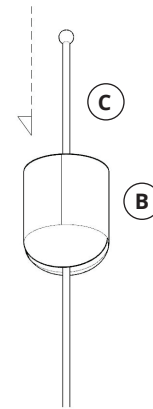
Remove the screw nut from the cable coupler. Keep the coupler barrel accessible. Next, drill a hole into the deck, and secure the screw nut with an appropriate anchor or screw.

**NOTE: Consult a structural engineer to determine the appropriate anchors or screws for specified mounting surface/substrate.**



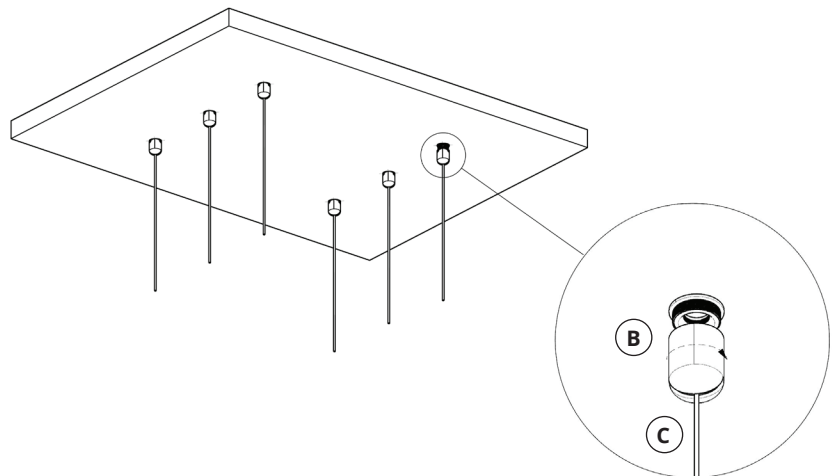
### Step 4: Securing aircraft cable

Insert the aircraft cable into the bottom of the coupler barrel and ensure the aircraft cable feeds through fully so the ball stop rests securely inside the cable coupler.



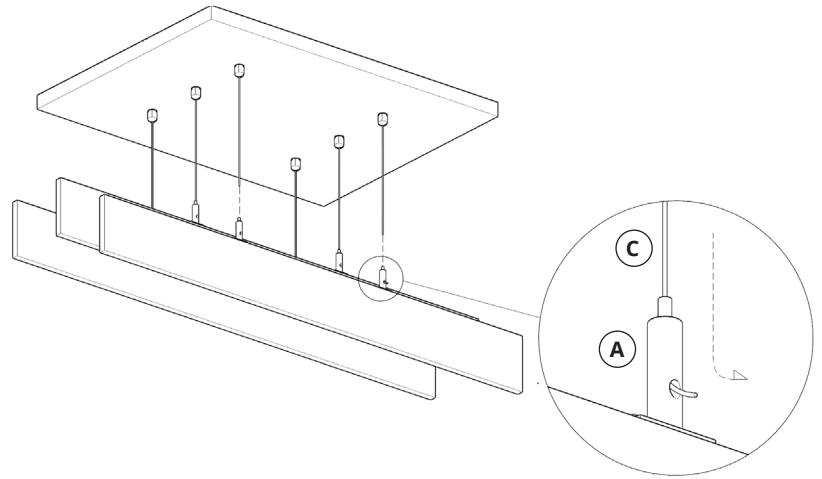
### Step 5: Thread coupler barrel

Thread the coupler barrel back onto the screw nut, ensuring it is properly and securely attached.



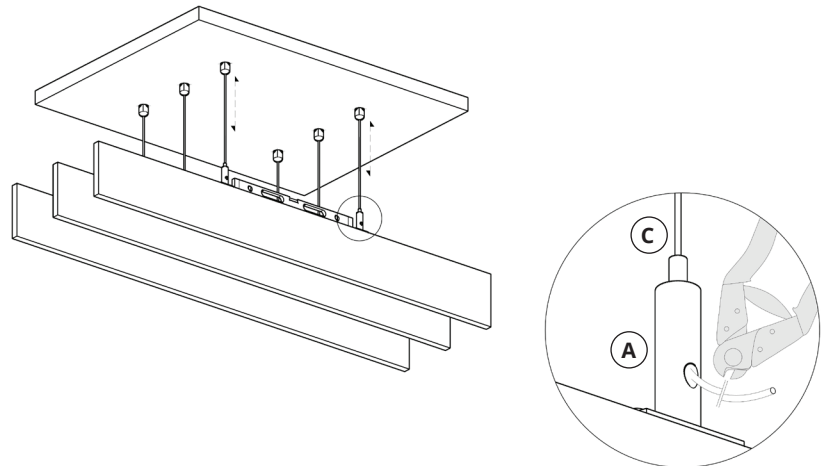
### Step 6: Insert the aircraft cable into the cable gripper

Press down on the plunger located on top of the cable gripper and insert the aircraft cable. Ensure the aircraft cable is correctly inserted by verifying that its end exits through the hole on the side of the cable gripper. This step should occur after the aircraft cable has been connected to the ceiling.



### Step 7: Adjust aircraft cable length

Use the plunger on the cable gripper to adjust the length of the aircraft cable, setting the baffles to the desired height. Utilize a laser level or level to ensure all baffles are level and meet the specified design height. Once the baffles are properly positioned and level, trim the excess aircraft cable.



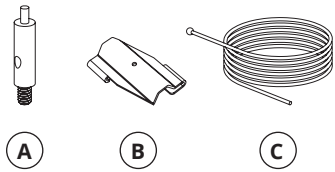


## 2 Cable to T-grid

Our cable to T-grid mounting method is only compatible with 15/16" flat T-grids.

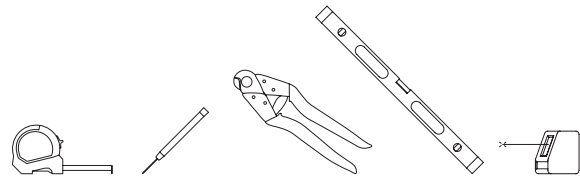
### PARTS LIST\*

A. Cable gripper	C. 3/64" Aircraft cable
B. Twist lock	<i>*Quantities will vary</i>



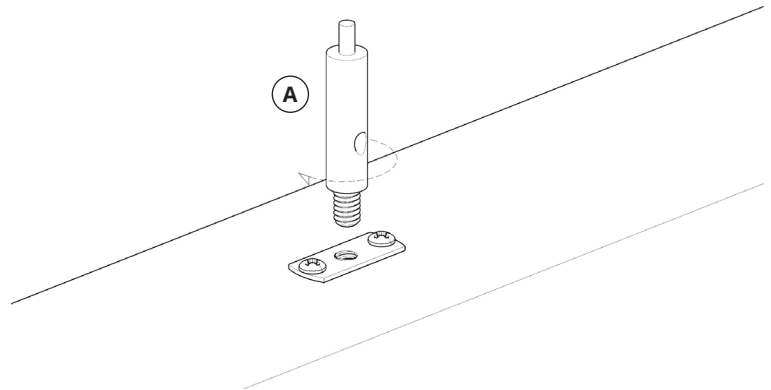
### TOOLS

Measuring tape	Level
Construction marker	Laser level
Wire rope cutter	



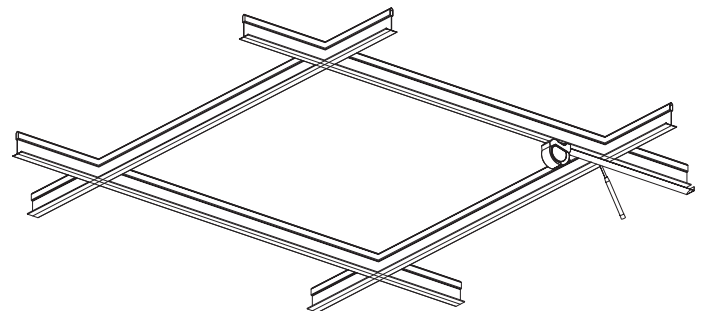
### Step 1: Attach the cable gripper

Twist the cable gripper into the threads of the nut plate to securely connect it to the baffle.



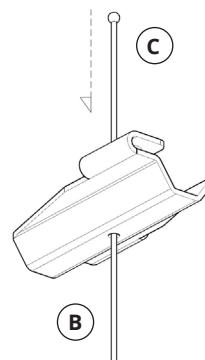
### Step 2: Mark connection points

Use a measuring tape or laser level and a construction marker to measure and mark the desired T-grid connection location. If project-specific installation drawings have been provided, reference the connection layout to ensure proper placement/ mounting locations.



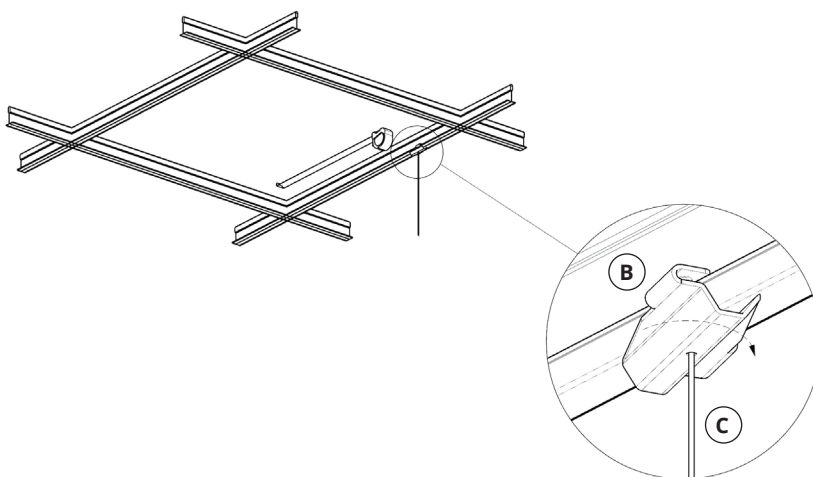
### Step 3: Thread the aircraft cable

Thread the aircraft cable through the circular opening on the twist lock until the ball at the end of the aircraft cable catches and can't move any further. Ensure the orientation of the twist lock matches the image on the right.



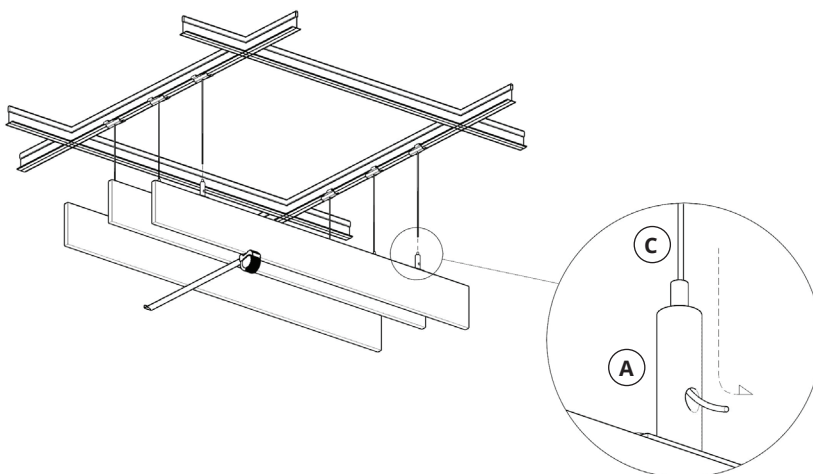
### Step 4: Attach the twist lock clip

Measure attachment locations on the T-grid based on provided drawings. Attach the twist lock clip to the T-grid by turning it until it snaps in place. Verify the clip is fully secure on both sides of the T-grid.



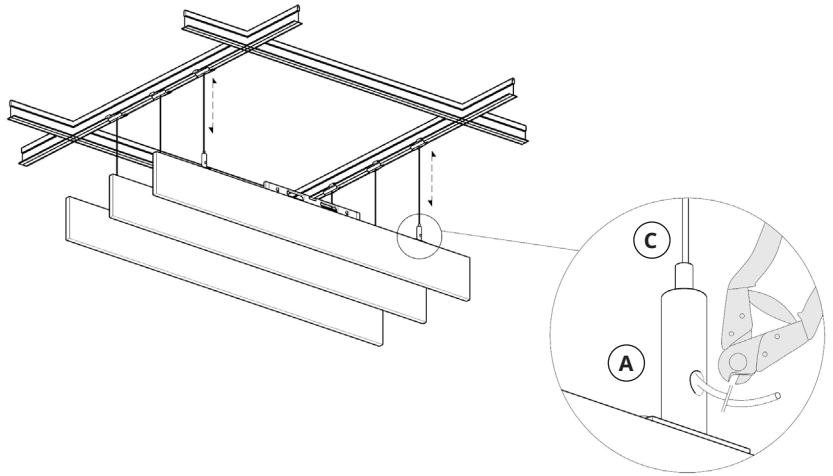
### Step 5: Insert the aircraft cable into the cable gripper

After the aircraft cable has been connected to the ceiling, press down on the plunger located on top of the cable gripper and insert the aircraft cable. Ensure the aircraft cable is correctly inserted by verifying that its end exits through the hole on the side of the cable gripper.



### Step 6: Adjust aircraft cable length

Use the plunger on the cable gripper to adjust the length of the aircraft cable, setting the baffles to the desired height. Utilize a laser level or level to ensure all baffles are level and meet the specified design height. Once the baffles are properly positioned and level, trim the excess aircraft cable.

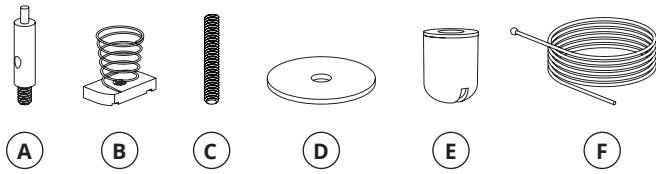


### 3 Cable to Strut Channel

Our cable to T-grid mounting method is compatible with P1000 and P3300 Unistrut Profiles.

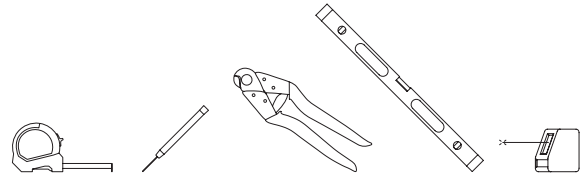
**PARTS LIST\***

- |                  |                         |
|------------------|-------------------------|
| A. Cable gripper | D. Flat washer          |
| B. Channel nut   | E. Cable coupler        |
| C. Threaded stud | F. 3/64" Aircraft cable |
- \*Quantities will vary*



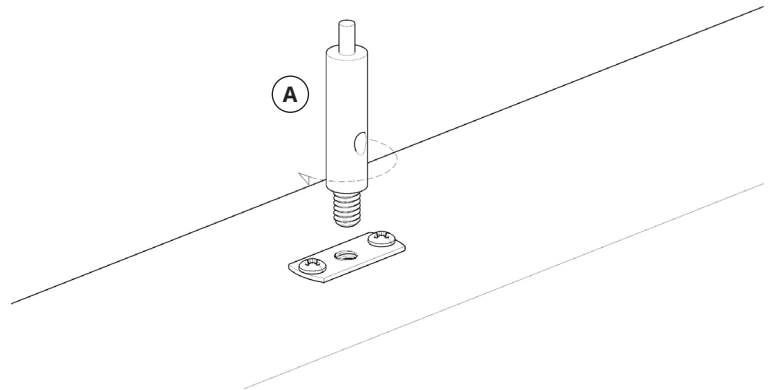
**TOOLS**

- |                     |             |
|---------------------|-------------|
| Measuring tape      | Level       |
| Construction marker | Laser level |
| Wire rope cutter    |             |



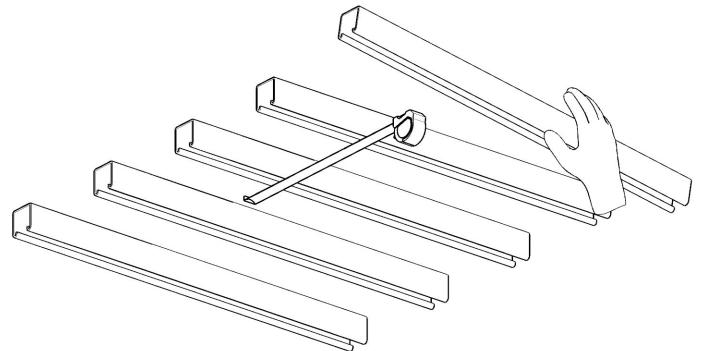
**Step 1: Attach the cable gripper**

Twist the cable gripper into the threads of the nut plate to securely connect it to the baffle.



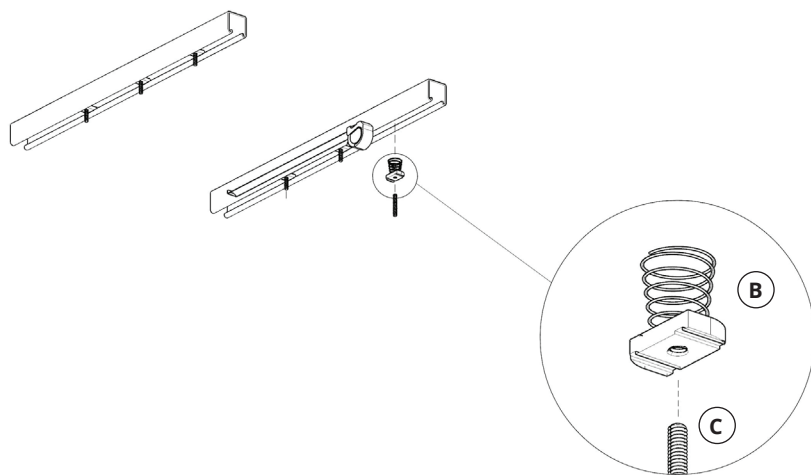
**Step 2: Strut channel layout and installation**

Layout the strut channels according to the installation drawing provided by Acoufelt or based on the desired spacing. If an installation drawing is available, start at the designated point in the drawing. Use a measuring tape to ensure accurate spacing between strut channels. Follow the strut channel manufacturer's recommendations and instructions for proper installation.



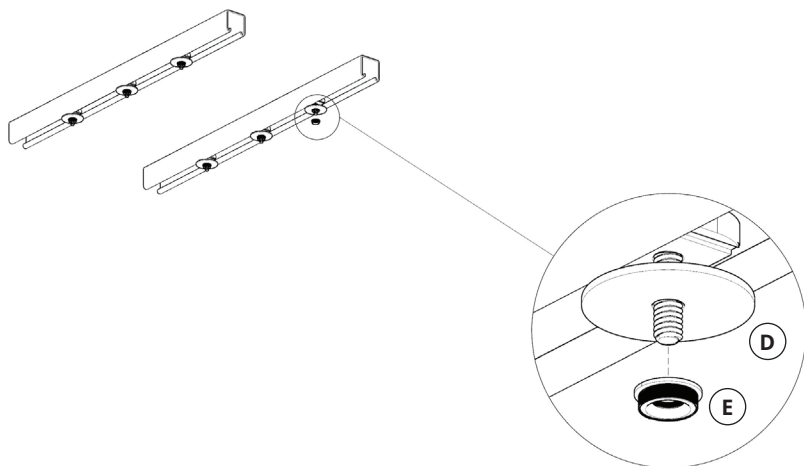
### Step 3: Hardware layout and installation

Measure from the center of the specified starting point and mark the hardware connection locations on the strut channel. Insert the threaded stud into channel nuts and then insert the channel nut into the strut channel at the marked locations. Make sure the grooves in the channel nut sit on top of the rails of the strut channel.



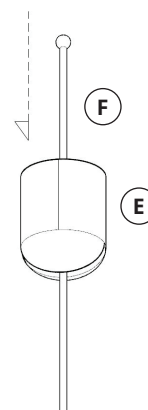
### Step 4: Attach washer and screw nut

Remove the screw nut from the cable coupler and keep it accessible. Place the flat washer onto threaded stud and fasten the washer tightly with the screw nut. Confirm the washer and screw nut are securely in place on the threaded stud.



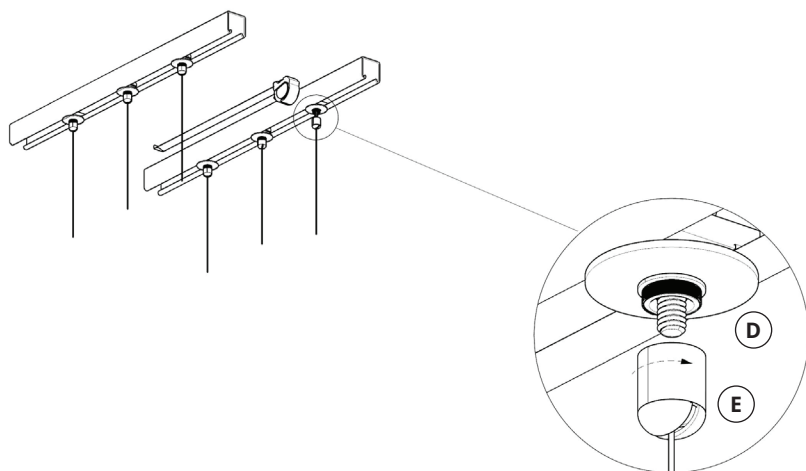
### Step 5: Thread the aircraft cable

Thread the aircraft cable through the opening on the coupler barrel until the ball at the end of the aircraft cable catches and can't move any further.



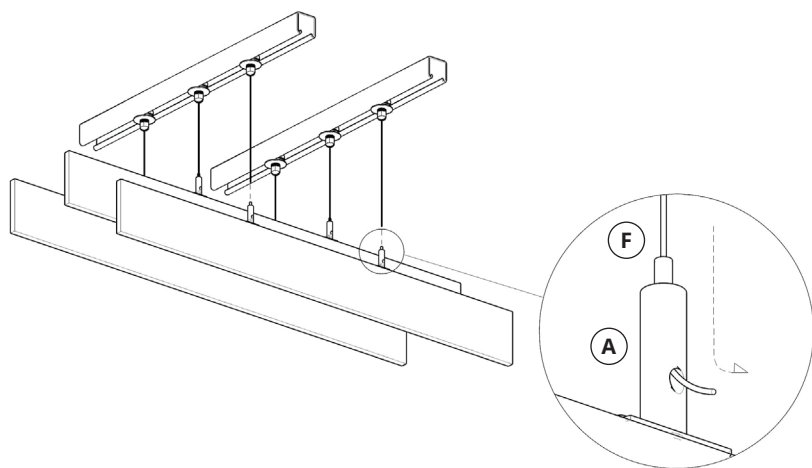
### Step 6: Attach coupler barrel to strut channel

Twist the coupler barrel clockwise onto the threaded stud until it is securely attached to the strut channel.



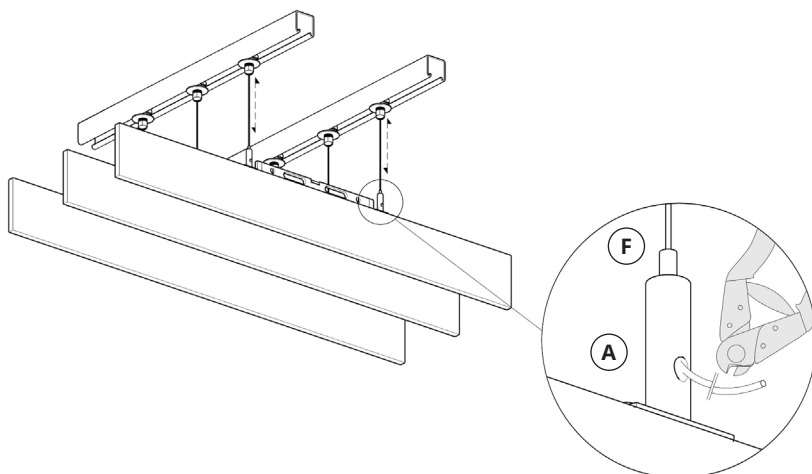
### Step 7: Insert the aircraft cable into the cable gripper

Press down on the plunger located on top of the cable gripper and insert the aircraft cable. Ensure the aircraft cable is correctly inserted by verifying that its end exits through the hole on the side of the cable gripper. This step should occur after the aircraft cable has been connected to the ceiling.



### Step 8: Adjust aircraft cable length

Use the plunger on the cable gripper to adjust the length of the aircraft cable, setting the baffles to the desired height. Use a laser level or level to ensure all baffles are level and meet the specified design height. Once the baffles are properly positioned and level, trim the excess aircraft cable.



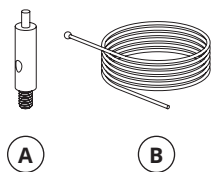
## 4 Cable Only

### PARTS LIST\*

A. Cable gripper

B. 3/64" Aircraft cable

\*Quantities will vary



### TOOLS

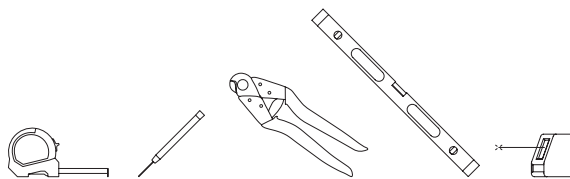
Measuring tape

Construction marker

Wire rope cutter

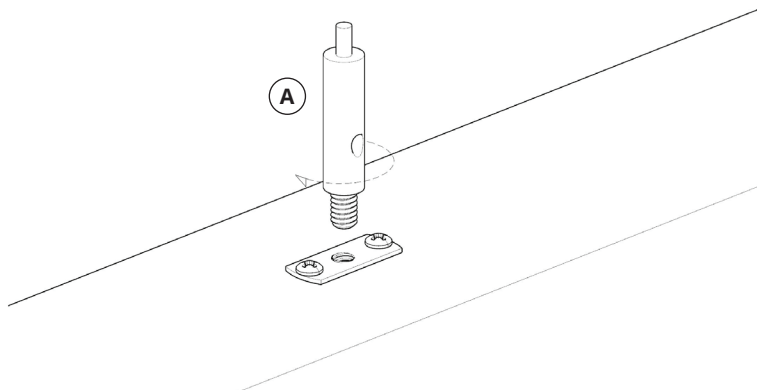
Level

Laser level



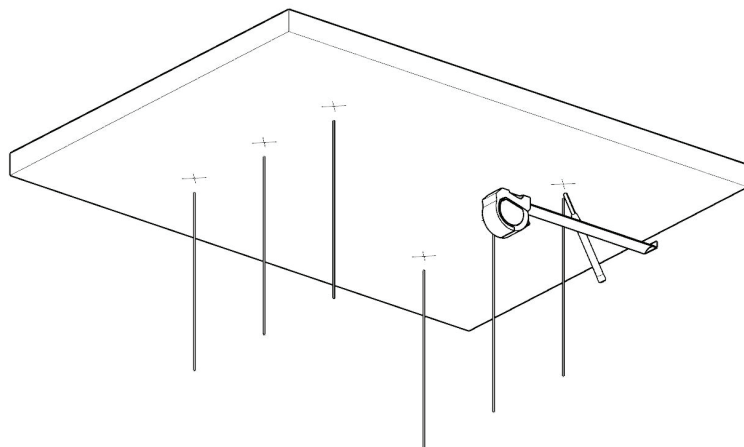
### Step 1: Attach the cable gripper

Twist the cable gripper into the threads of the nut plate to securely connect it to the baffle.



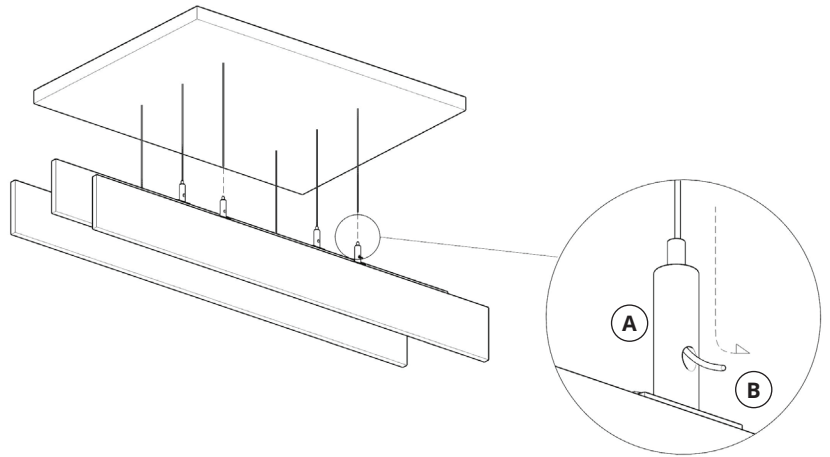
### Step 2: Mark connection points and attach to ceiling

Use a measuring tape or laser level and a construction marker to measure and mark the desired ceiling connection location. If layout drawings are provided, reference them to ensure proper placement. Attach aircraft cables to your preferred ceiling mounting hardware (not provided by Acoufelt).



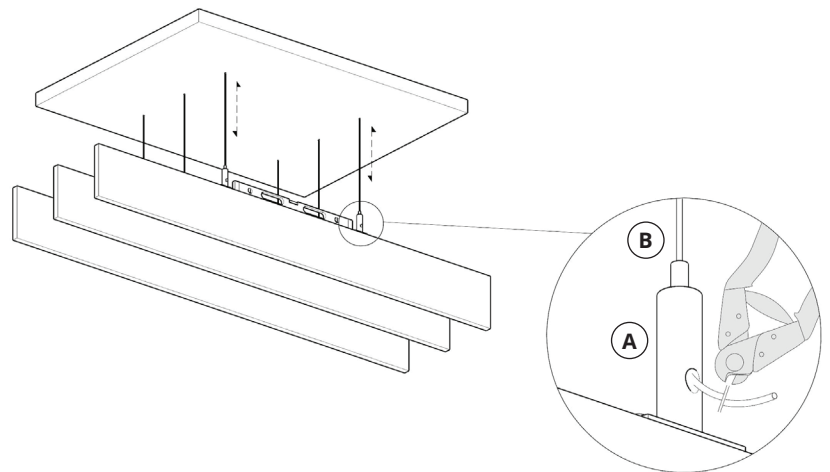
### Step 3: Insert the aircraft cable into the cable gripper

After the aircraft cable has been connected to the ceiling, press down on the plunger located on top of the cable gripper and insert the aircraft cable. Ensure the aircraft cable is correctly inserted by verifying that its end exits through the hole on the side of the cable gripper.



### Step 4: Adjust aircraft cable length

Use the plunger on the cable gripper to adjust the length of the aircraft cable, setting the baffles to the desired height. Utilize a laser level or level to ensure all baffles are level and meet the specified design height. Once the baffles are properly positioned and level, trim the excess aircraft cable.

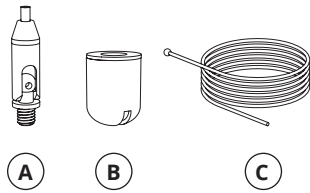




# 5 Swivel Cable to Deck

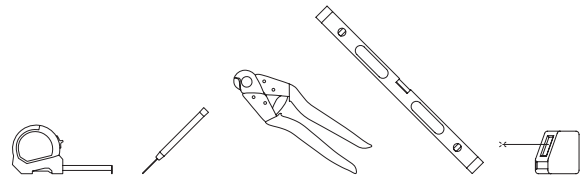
**PARTS LIST\***

- |                   |                              |
|-------------------|------------------------------|
| A. Swivel gripper | C. 3/64" Aircraft cable      |
| B. Cable coupler  | <i>*Quantities will vary</i> |



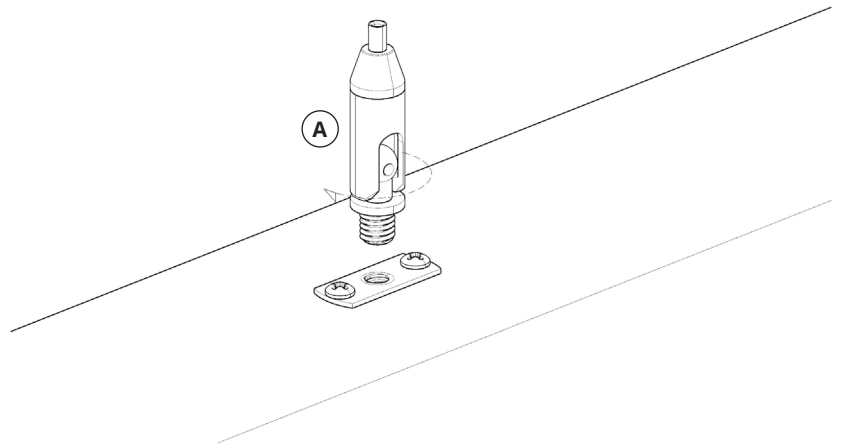
**TOOLS**

- |                     |             |
|---------------------|-------------|
| Measuring tape      | Level       |
| Construction marker | Laser level |
| Wire rope cutter    |             |



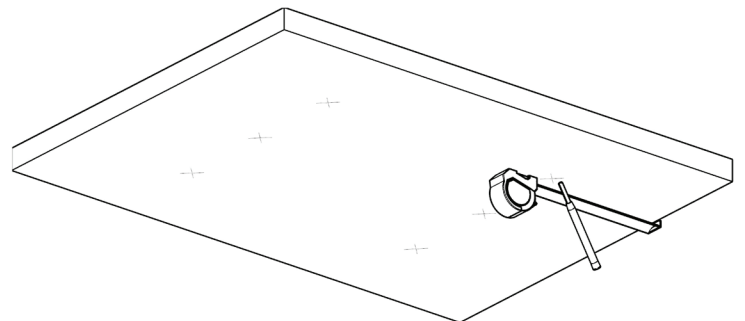
**Step 1: Attach the swivel gripper**

Twist the swivel gripper into the threads of the nut plate to securely connect it to the baffle.



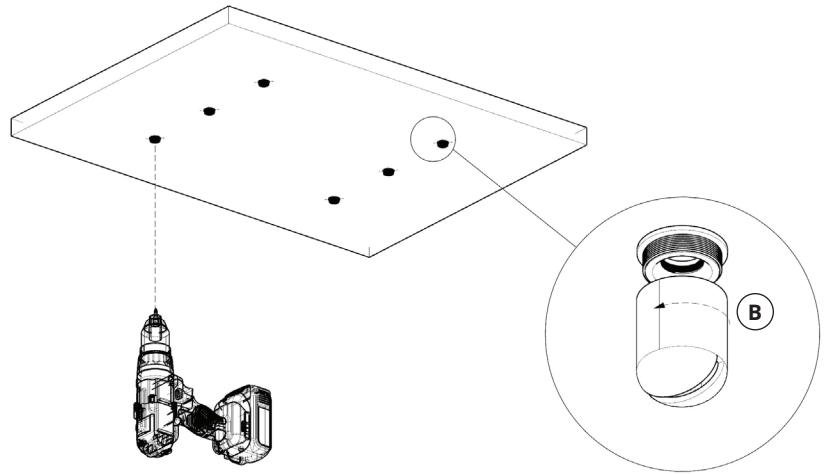
**Step 2: Mark connection points**

Use a measuring tape or laser level and a construction marker to measure and mark the desired deck connection location. If project-specific installation drawings have been provided, reference the connection layout to ensure proper placement/ mounting locations.



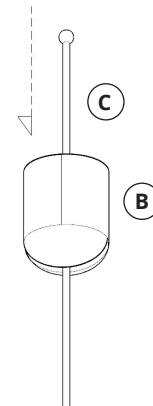
### Step 3: Prepare the cable coupler

Remove the screw nut from the cable coupler. Keep the coupler barrel accessible. Next, drill a hole into the deck, and secure the screw nut with an appropriate anchor or screw. **NOTE: Consult a structural engineer to determine the correct anchors or screws needed.**



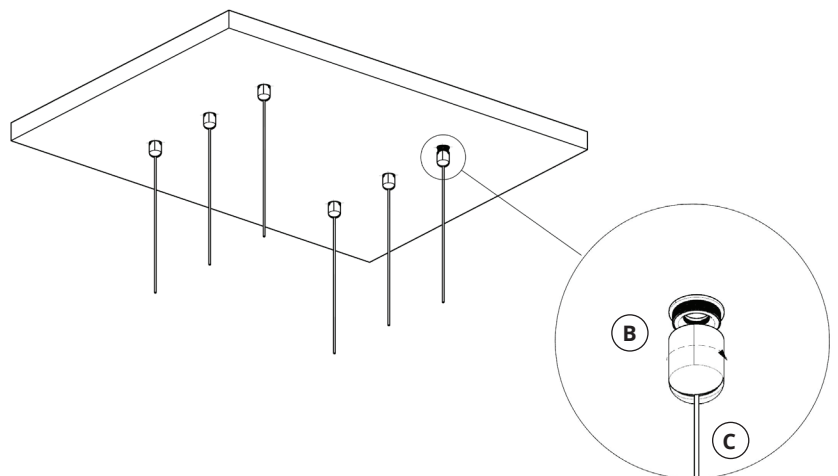
### Step 4: Securing aircraft cable

Insert the aircraft cable into the bottom of the coupler barrel and ensure the aircraft cable feeds through fully so the ball stop rests securely inside the coupler barrel.



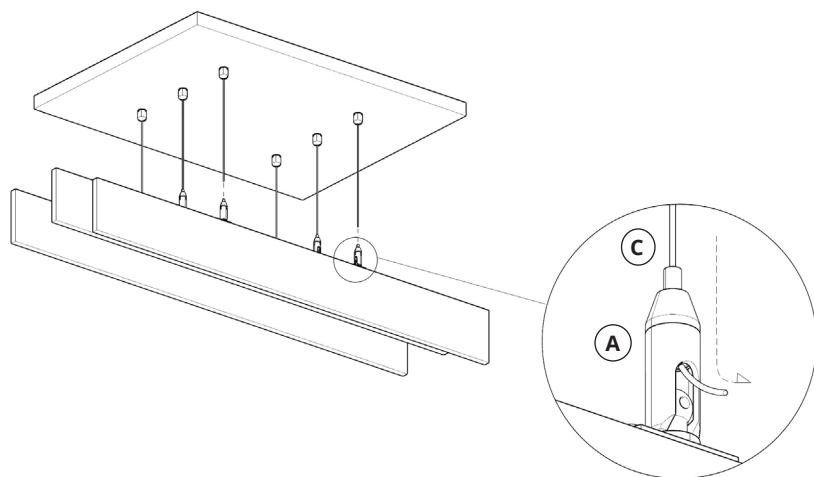
### Step 5: Attach the coupler barrel

Attach the coupler barrel onto the screw nut by twisting clockwise. Ensure it is properly anchored to the deck.



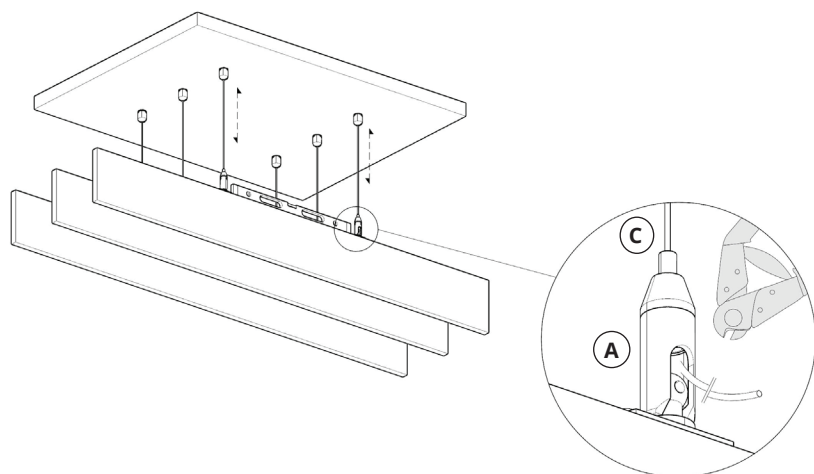
### Step 6: Insert the aircraft cable into the swivel gripper

After the aircraft cable has been connected to the ceiling, press down on the plunger located on top of the swivel gripper and insert the aircraft cable. Ensure the aircraft cable is correctly inserted by verifying that its end exits through the hole on the side of the cable gripper.



### Step 7: Adjust aircraft cable length

Use the plunger on the swivel gripper to adjust the length of the aircraft cable, setting the baffles to the desired height. Utilize a laser level or level to ensure all baffles are level and meet the specified design height. Once the baffles are properly positioned and level, trim the excess aircraft cable.



# 6 Threaded Rod Only

**PARTS LIST\***

A. Threaded rod

\*Quantities will vary



A

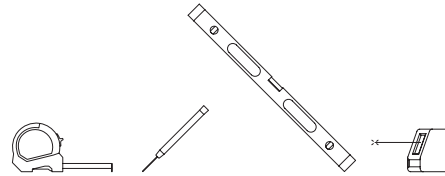
**TOOLS**

Measuring tape

Laser level

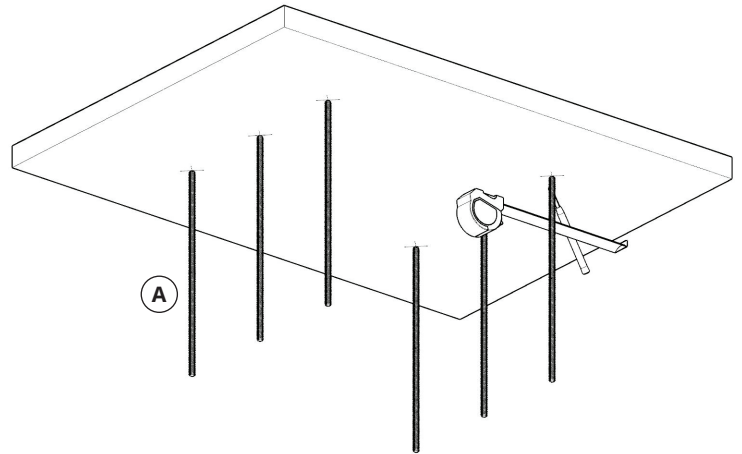
Construction marker

Level



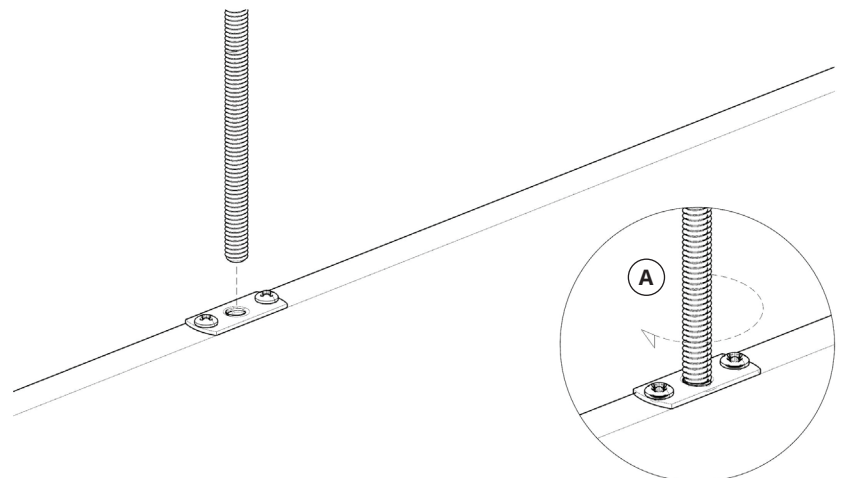
## Step 1: Mark connection points and attach threaded rod to ceiling

Use a measuring tape or laser level and a construction marker to measure and mark the desired ceiling connection location. If layout drawings are provided, reference them to ensure proper placement. Attach threaded rod to your preferred ceiling mounting hardware (not provided by Acoufelt).



## Step 2: Attach threaded rod to nut plate

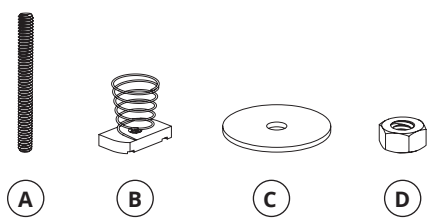
Align the threaded rod to the nut plate and twist to attach. The threaded rod should be flush with the nut plate.



# 7 Threaded Rod to Strut Channel

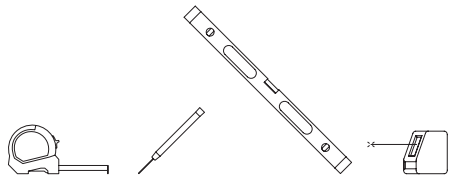
**PARTS LIST\***

- |                 |                              |
|-----------------|------------------------------|
| A. Threaded rod | D. Hex nut                   |
| B. Channel nut  | <i>*Quantities will vary</i> |
| C. Flat washer  |                              |



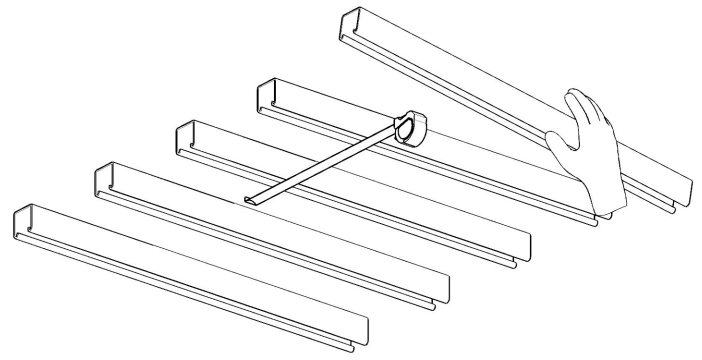
**TOOLS**

- |                     |             |
|---------------------|-------------|
| Measuring tape      | Laser level |
| Construction marker |             |
| Level               |             |



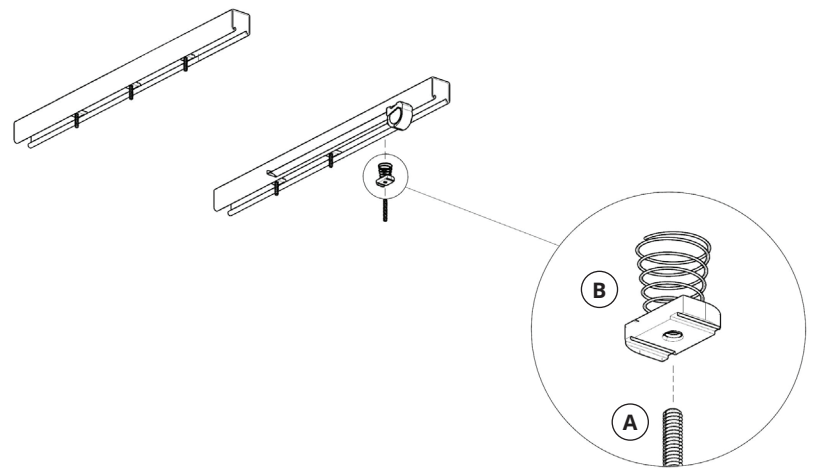
**Step 1: Strut channel layout and installation**

Layout the strut channels according to the installation drawing provided by Acoufelt or based on the desired spacing and starting point. Use a measuring tape to ensure precise spacing between channels. Refer to the strut channel manufacturer's guidelines for proper installation.



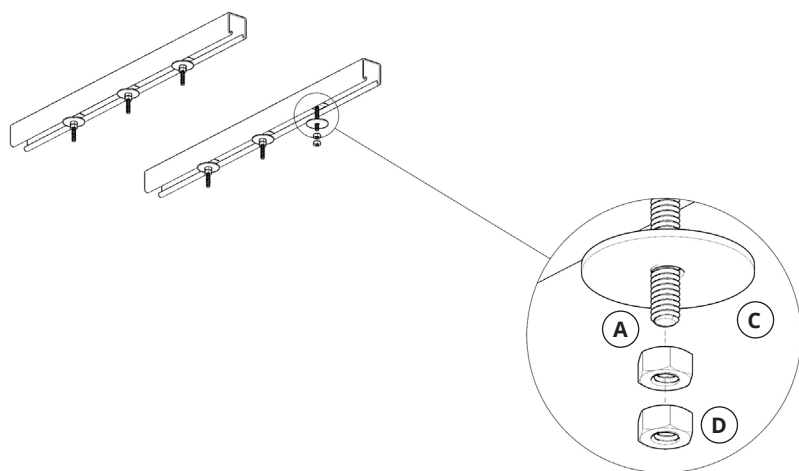
**Step 2: Hardware layout and installation**

Measure from the center of the specified starting point and mark the hardware connection locations on the strut channel. Insert the threaded rods into the strut channel at the marked locations. Make sure the grooves in the channel nut sit on top of the rails of the strut channel.



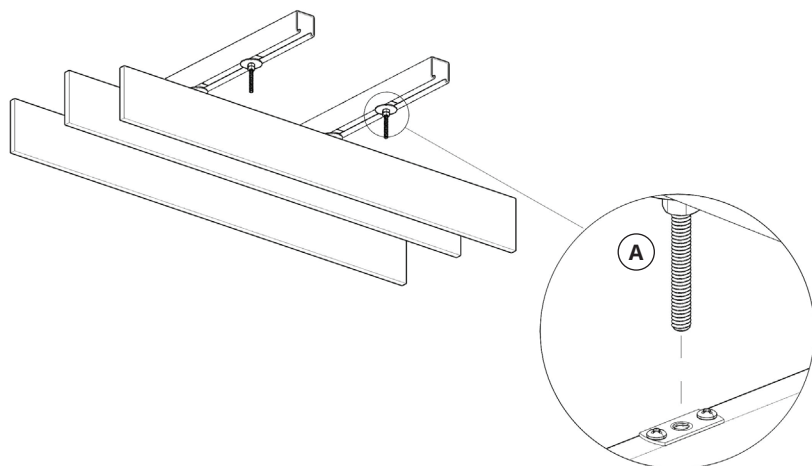
### Step 3: Attach washer and hex nuts

Place the flat washer onto threaded rod and fasten the washer tightly with the hex nuts. Confirm the washer and hex nuts are securely in place on the threaded rod.



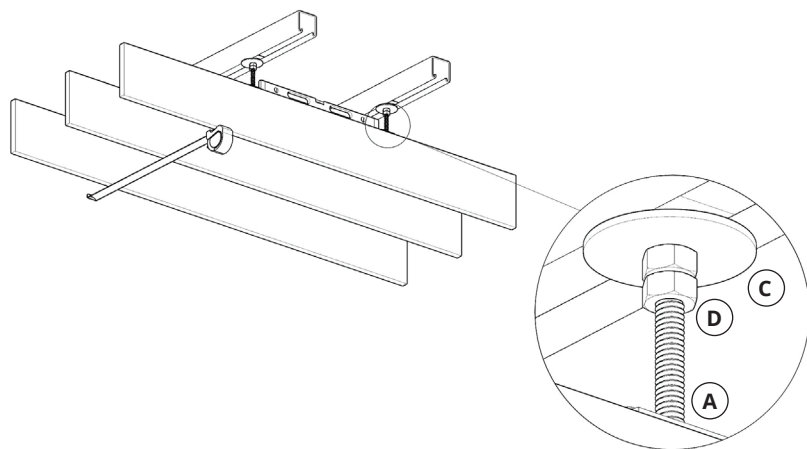
### Step 4: Connect baffle to strut channel

Attach the baffle to the strut channel by screwing the threaded rod into the nut plate. Hold the baffle steady while twisting because the threaded rod will exit the channel nut as it tightens into the nut plate.



### Step 5: Verify baffle position

Ensure all the threaded rods are securely attached to both the nut plate and channel nut. Use a laser level or level to ensure all baffles are level, are equally spaced, meet the specific design height, and are centered from the starting point.



# 8 Twist Lock to T-grid

Our cable to T-grid mounting method is only compatible with 15/16" flat T-grids.

**PARTS LIST\***

A. Twist lock with stud

*\*Quantities will vary*

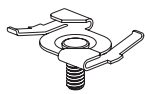
**TOOLS**

Measuring tape

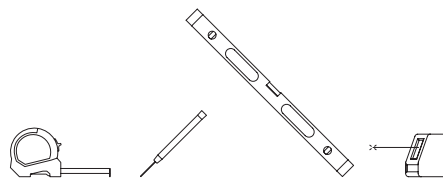
Laser level

Construction marker

Level

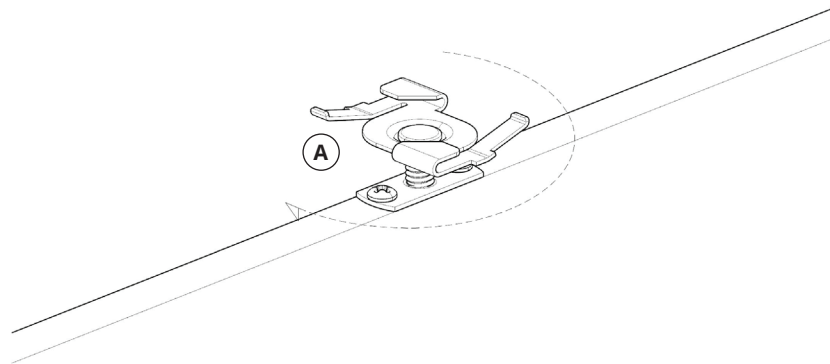


A



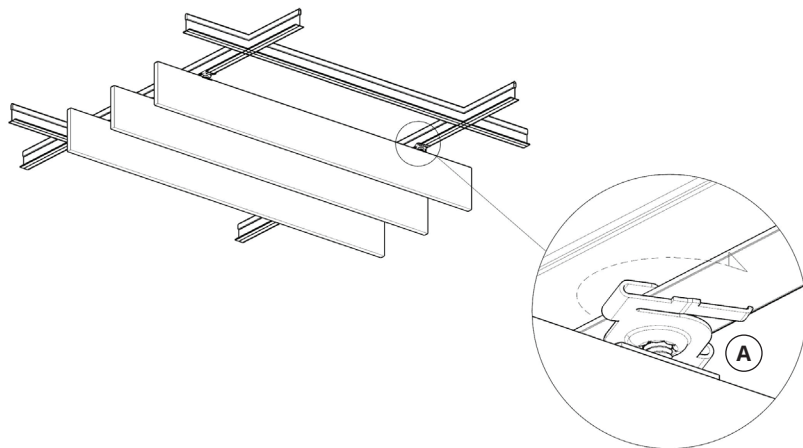
## Step 1: Attach twist lock to nut plate

Attach the threaded twist lock by twisting it into the nut plate. Twist into the nut plate hardware until the threaded twist lock is fully secure in the baffle.



## Step 2: Attach twist lock to T-grid

Hook the clip of the twist lock onto the T-grid and rotate the twist lock until it snaps in place. Verify it is fully secure on both sides of the T-grid.



### Step 3: Verify baffle position

Ensure all the twist locks are securely attached to the T-grid. Use a laser level or level to ensure all baffles are level, are equally spaced, meet the specific design height, and are centered from the starting point.

