

## Solid Wall Panels

Essentials Collection

Any space becomes instantly more appealing when noise is kept in check. Solid acoustic panels from Acoufelt are the simple, competitive solution for busy public spaces, meeting and conference areas, and more - anywhere people come together. Apply to full walls or use here and there to target trouble spots

## Specifications

<b>Surface</b>	Wall
<b>Material</b>	WhisperTex™ polyester felt
<b>Thickness</b>	3/8", 9mm (±10%) 3/4", 18mm (±10%)
<b>Weight</b>	0.34 lb./ft² (±10%) 0.68 lb./ft² (±10%)
<b>Standard Sizes</b>	12" up to 48" W (6" increments) 12" up to 108" H (6" increments), 110" H



Solid Wall Panels in Jade

## Technical

<b>NRC Rating</b>	0.35
<b>Fire Test</b>	ASTM E84, Class 1 Flame spread index: 7 Smoke developed index: 160
<b>Colorfastness</b>	ISO 105-B02, 4

## Details

<b>Lead Time</b>	3 – 6 weeks
<b>Origin</b>	Manufactured and assembled in the US
<b>Warranty</b>	Product: 12 years* Colorfastness: 12 years*

\* Conditions apply

## Environmental

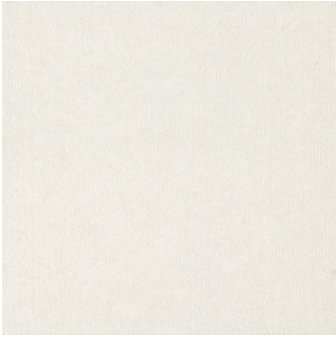
<b>Recycled Content</b>	Minimum 55%
<b>Indoor Air Quality</b>	VOC less than/equal to 0.5mg/m3
<b>Recyclable</b>	100%*
<b>Certifications</b>	TVOC Emissions Rate

\* PET is recyclable through participating partners.



# Colorways

## ESSENTIALS



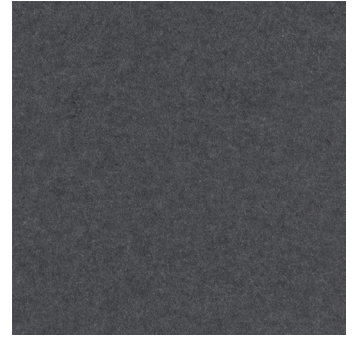
Talc  
TA08



Limestone  
LI07



Silt  
SI06



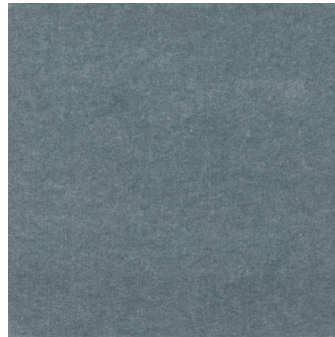
Shale  
SH03



Pumice  
PU05



Gypsum  
GY04



Jade  
JA02



Basalt  
BA01

---

Order samples at [acoufelt.com/colorways](https://acoufelt.com/colorways)

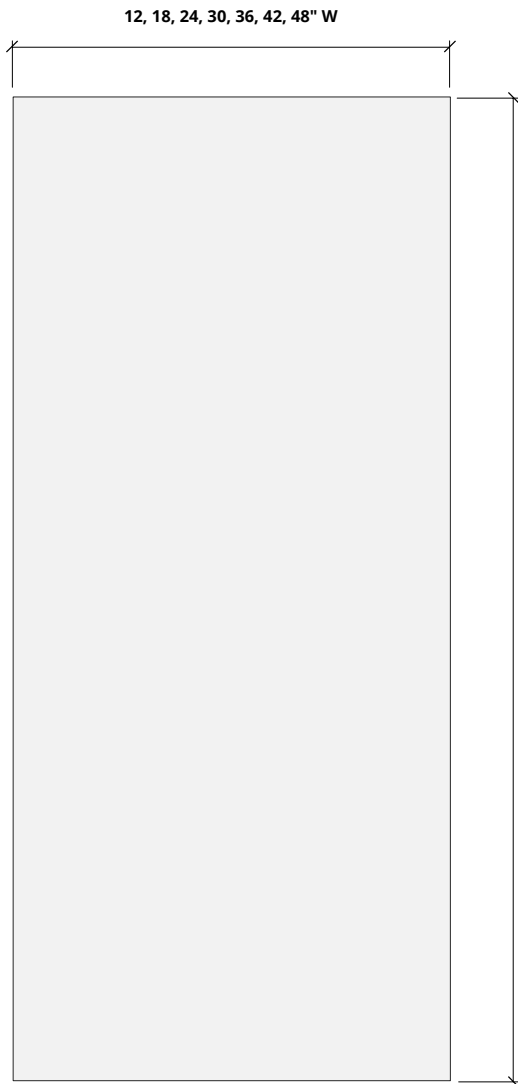


Call **800.966.8557** with questions or visit [acoufelt.com](https://acoufelt.com) for more product information, downloads, and colorways.

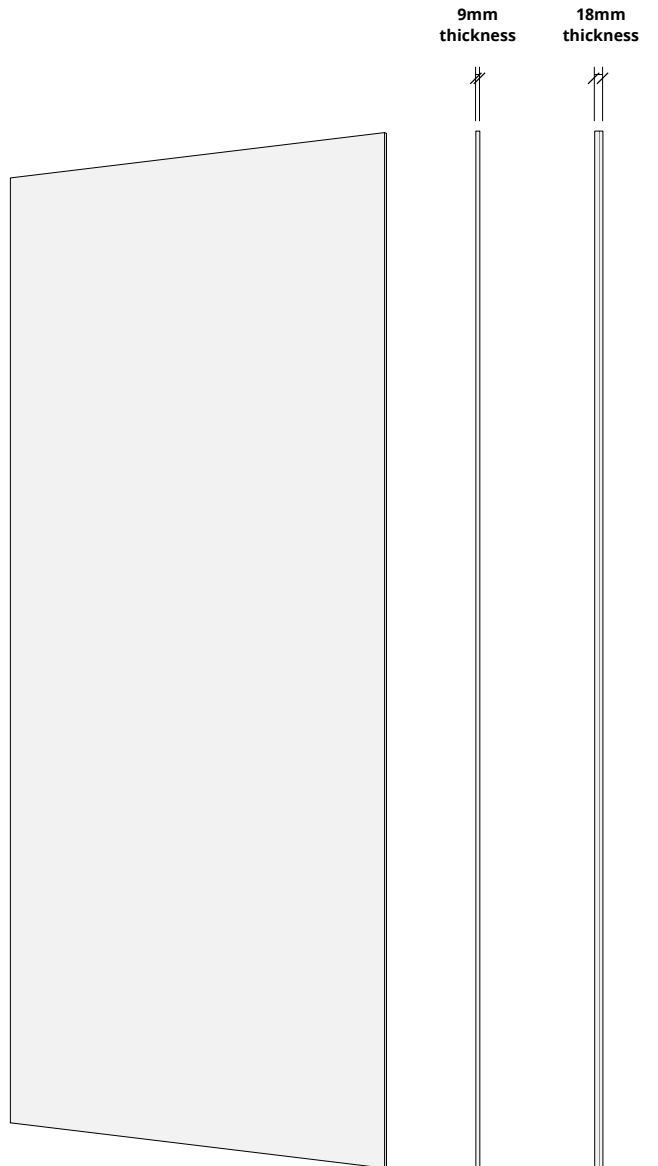
# Sizes

<b>Standard Sizes</b>	12" up to 48" W (6" increments) 12" - 108" H (6" increments), 110" H
<b>Thickness</b>	3/8", 9mm (±10%) 3/4", 18mm (±10%)

Plan

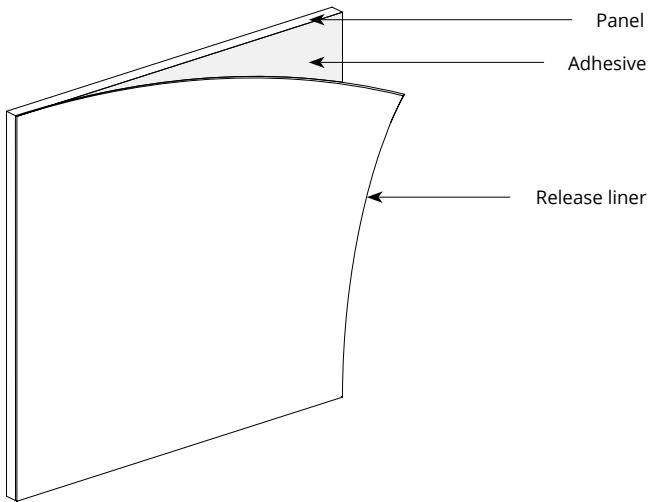


Perspective

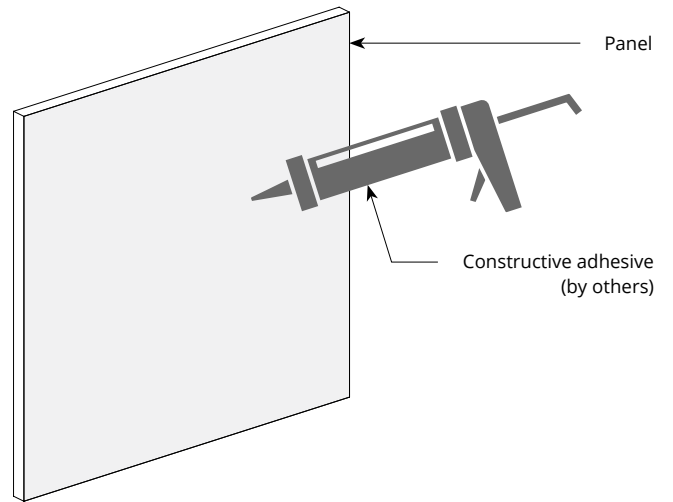


# Mounting Methods

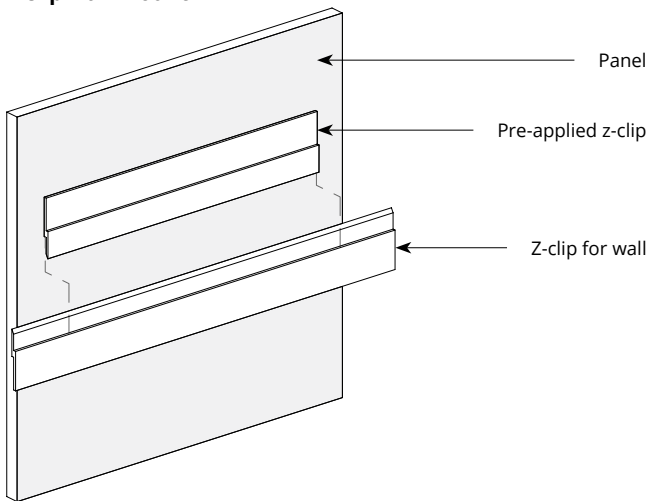
## Adhesive backing



## Construction adhesive



## Z-clip wall mount



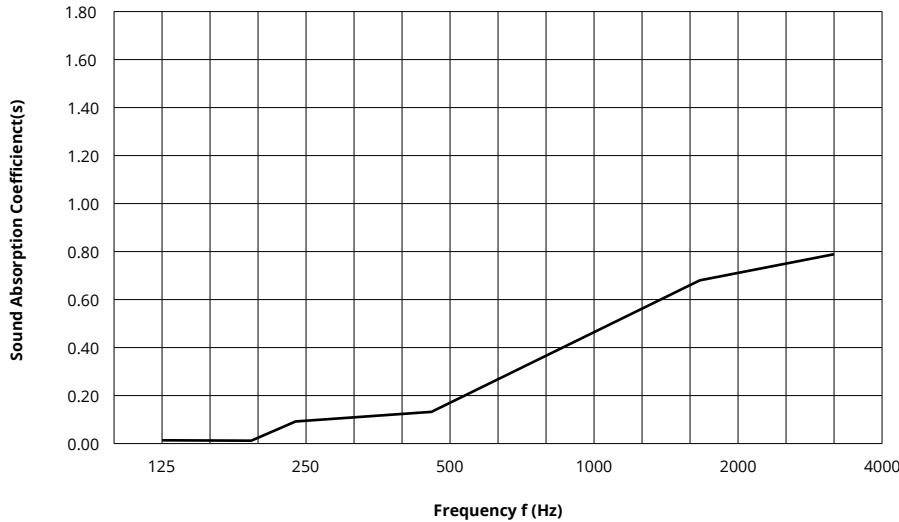
*\*For wall mount applications only.*



Call **800.966.8557** with questions or visit **acoufelt.com** for more product information, downloads, and colorways.

# Acoustic Performance

<b>Test Method</b>	ASTM C423-17
<b>Install Method</b>	A
<b>Rating Method</b>	ISO 11654-2002
<b>Test Results</b>	NRC 0.35



	Frequency f (Hz)	125	250	500	1000	2000	4000	NRC
	9mm	0.03	0.09	0.16	0.40	0.67	0.79	0.35
	18mm	Pending product testing						

## What is a Noise Reduction Coefficient (NRC)?

You'll find the NRC rating in the specifications of all of our products. This acronym stands for Noise Reduction Coefficient, and is expressed as a single number, a rating that describes the degree to which acoustic products can absorb sound.

You can use NRC values to understand the overall performance of our acoustic wall and ceiling products. The higher the NRC, the better the product is at soaking up the sound.

*Performance Indices: Noise Reduction Coefficient (NRC) results represent the absorption coefficients measured at the one third octave bands at 125, 250, 500, 1000, 2000 and 4000 Hz rounded to the nearest 0.05. Acoustic testing has been performed according to the methods mentioned above. Customization of installation of the product could alter the results. Sound Absorption Average (SAA) indicates the absorption coefficient average for the twelve one-third octave bands ranging between 200 and 2500 Hz.*