

Circle Ceiling Clouds

Essentials Collection

A modern approach to quieting noisy areas, ceiling clouds hang flat below the ceiling system to provide focused sound absorption. As standalone free-hanging unit or grouped to add an artistic touch wherever crowds gather, Circle ceiling clouds can be an economical, effective solution for a wide range of settings.

Specifications

Surface	Ceiling
Material	WhisperTex™ polyester felt
Thickness	3/4", 18mm (±10%)
Weight	0.34 lb./ft ² (±10%)
Standard Sizes	24", 30", 36", 42", 48" diameter



Circle Ceiling Clouds in Pumice

Technical

NRC Rating	Material: 0.35 Product: Testing is pending
Fire Test	ASTM E84, Class 1 Flame spread index: 7 Smoke developed index: 160
Colorfastness	ISO 105-B02, 4

Details

Lead Time	3 – 6 weeks
Origin	Manufactured and assembled in the US
Warranty	Product: 12 years* Colorfastness: 12 years*

* Conditions apply

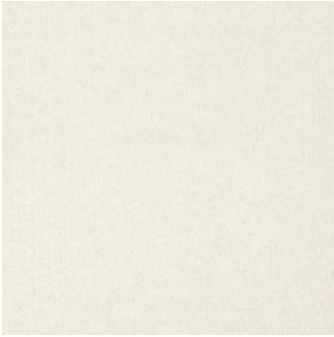
Environmental

Recycled Content	Minimum 55%
Indoor Air Quality	VOC less than/equal to 0.5mg/m ³
Recyclable	100%*
Certifications	TVOC Emissions Rate

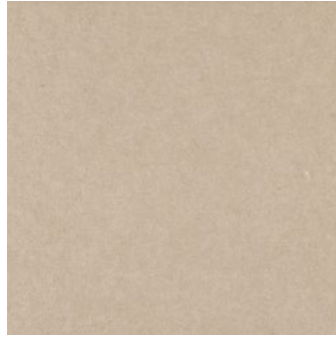
* PET is recyclable through participating partners.



ESSENTIALS



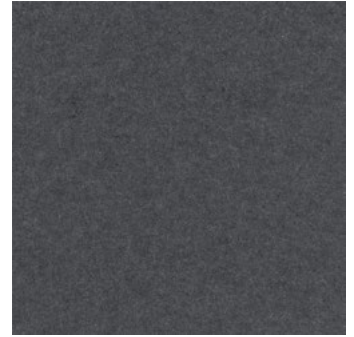
Talc
TA08



Limestone
LI07



Silt
SI06



Shale
SH03



Pumice
PU05



Gypsum
GY04



Jade
JA02

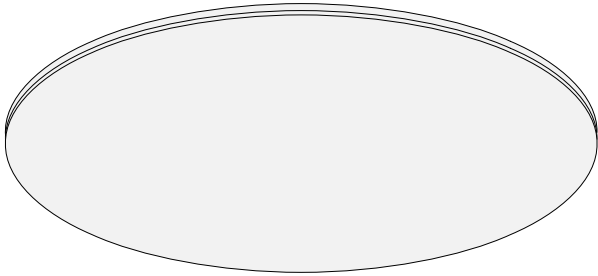


Basalt
BA01

Sizes

Standard Sizes	24", 30", 36", 42", 48" diameter
Thickness	3/4", 18mm (±10%)

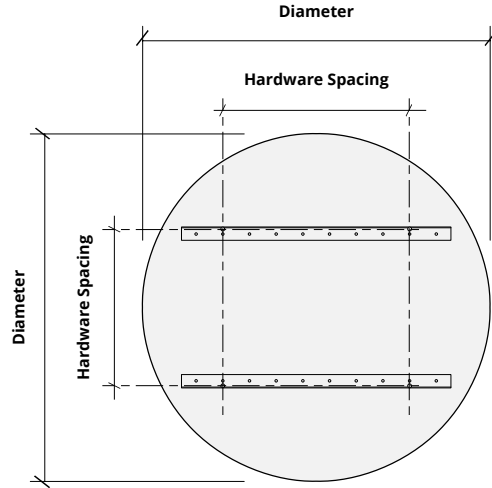
Perspective



18mm
thickness

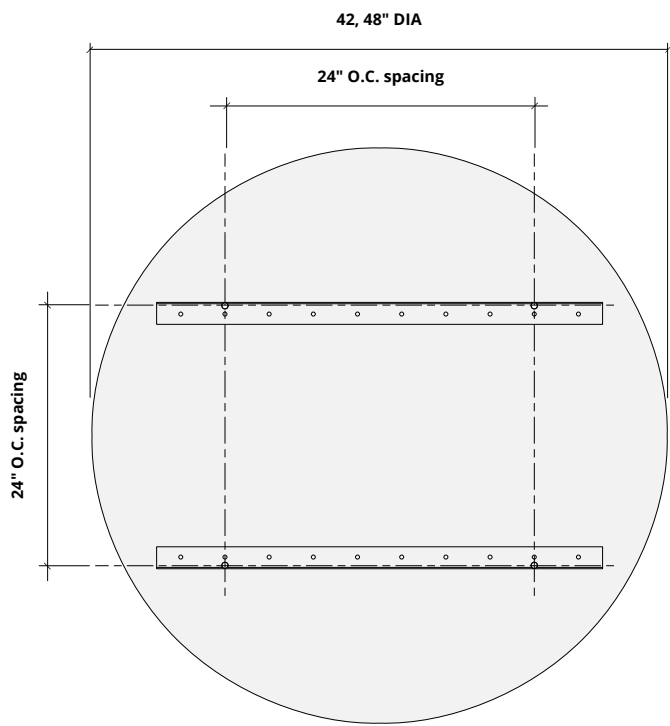
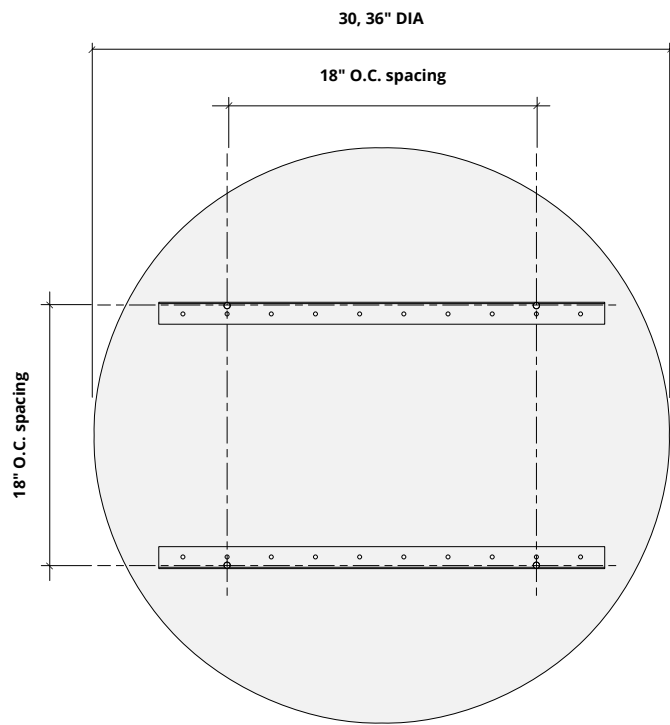
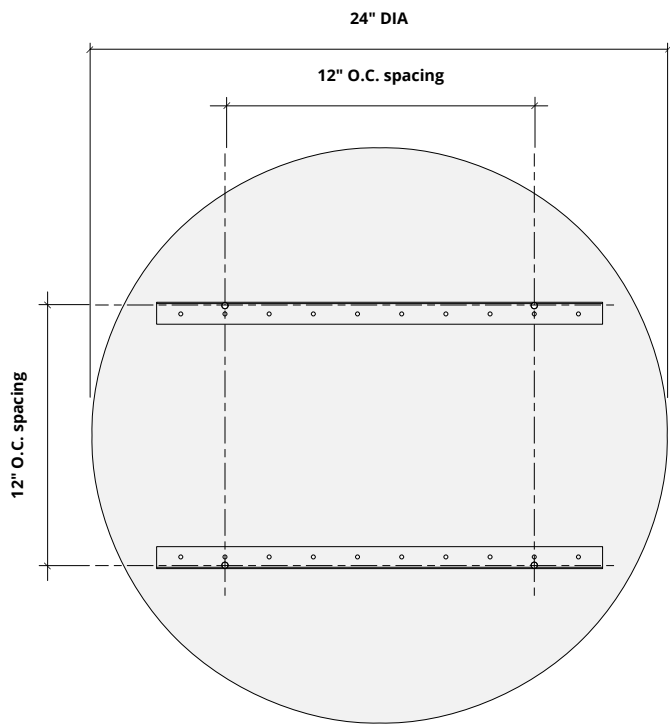


Plan



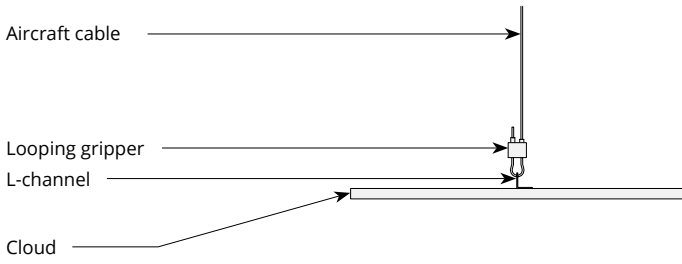
Hardware Spacing

24" DIA	12" on center spacing
30, 36" DIA	18" on center spacing
42, 48" DIA	24" on center spacing

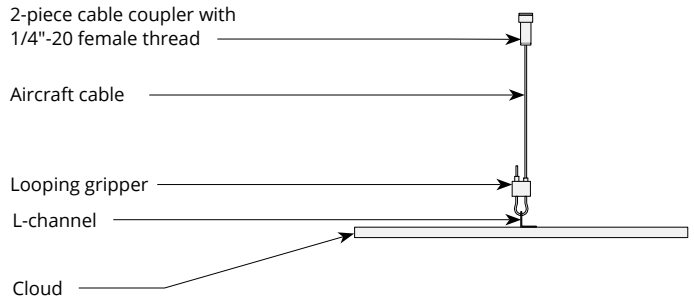


Mounting Methods

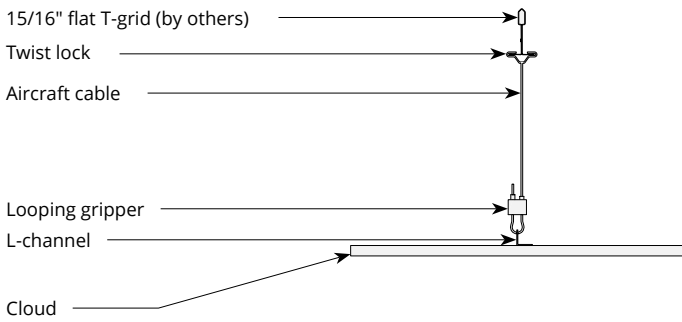
Cable



Cable to deck



Cable to T-grid



Cable to Unistrut

