



Printed Panel

FilaSorb™ 12, FilaSorb™ 24

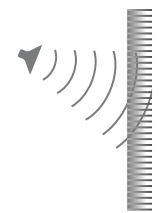
acoufelt
making quiet

Product Detail

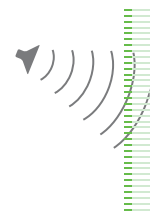
Product	Printed Panel
Surface	Wall or Ceiling
Surface Print	QuietPrint™
Composition	100% Polyester
Material	FilaSorb™
Recycled Content	60% min.
Material Thickness	12mm 0.47" or 24mm 0.94" +/- 10%
Weight	0.49 lb/ft² or 0.98 lb/ft² +/- 10%
Standard Dimensions	See page 3 for size offerings. Custom size available upon request.
Lead Time	Ships in 4-6 weeks
Light Fastness Warranty	10 Years*



Some printing techniques create an impenetrable layer that reflects sound.



Some printing techniques allow the ink to 'run' into the material, resulting in a poor resolution image.



Acoufelt QuietPrint™ colors the fibers with height precision, whilst ensuring air gaps remain open, absorbing sound and creating a high resolution image.

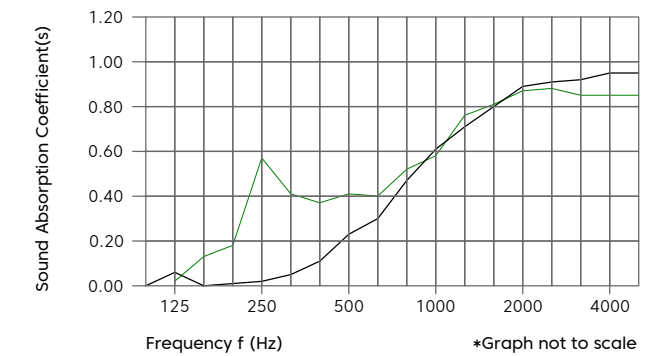
* conditions apply

Technical Data

Fire Test Method Number	AS ISO 9705:Group 1 ASTM E84-17a Class A
Indoor Air Quality	Low VOCs emission, formaldehyde and Phenol-free
Light Fastness	ISO 105-B02 1994, 6-7

Acoustic Performance

Sound Absorption ISO 354-2006 NRC 0.45
NRC 0.60



Frequency f (Hz)	125	250	500	1000	2000	4000	NRC
12mm α_s	0.06	0.02	0.23	0.61	0.89	0.95	0.45
24mm α_s	0.02	0.57	0.41	0.58	0.87	0.85	0.60

Colorways

* Go To Colorway Page



Manufactured & Assembled in the USA

Environmental Attributes

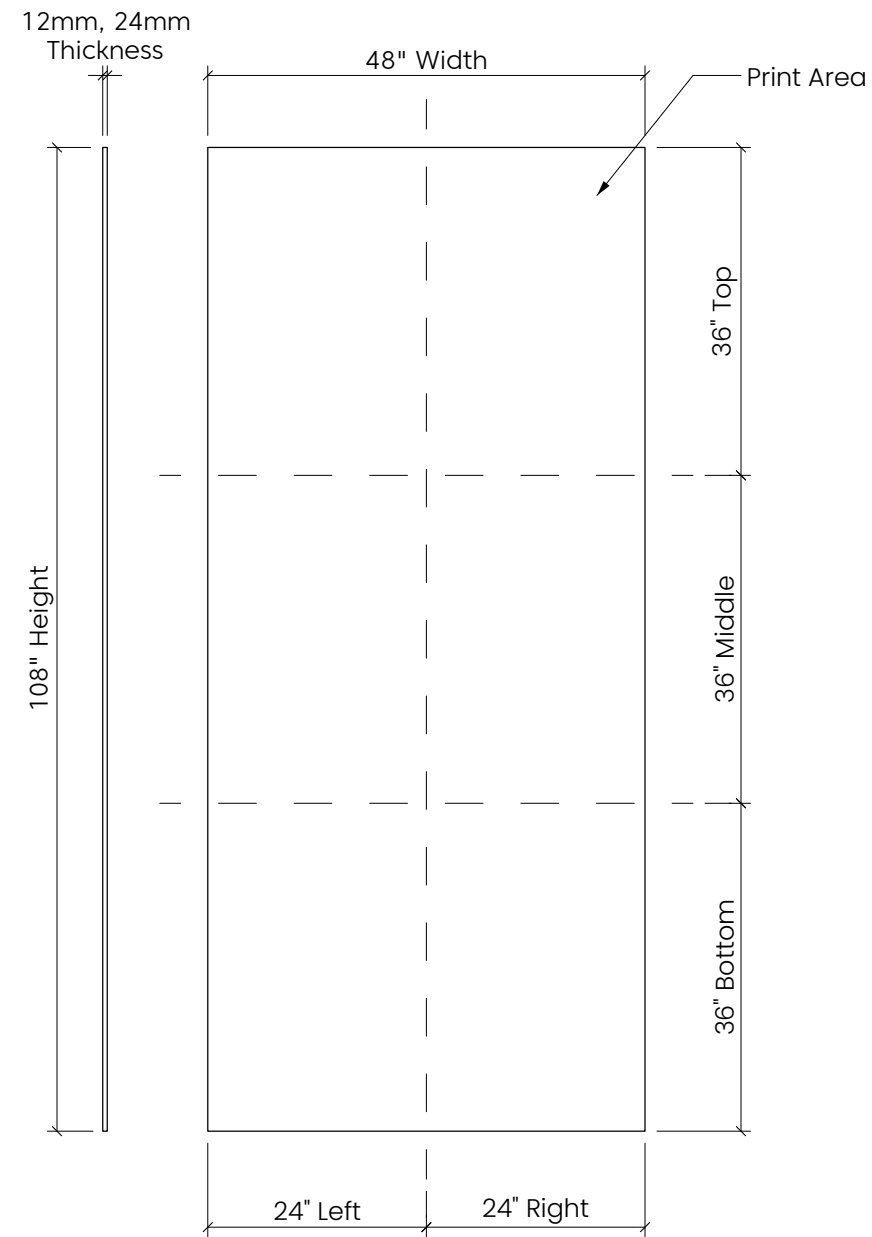
- Declare Certification
- LCB Red List Free
- Phenol And Formaldehyde Free
- Low VOC
- CDPH Compliance
- Aligns With Building Standards



Declare.

Design

Elevation



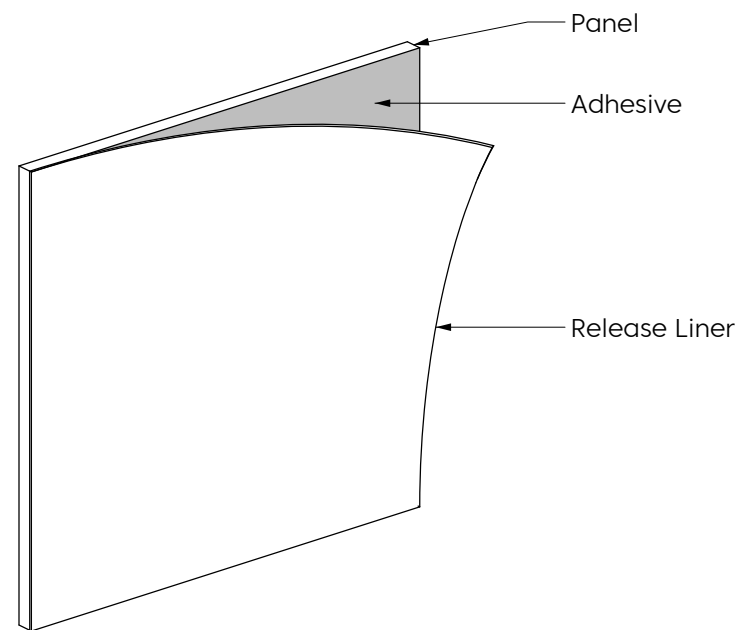
Perspective



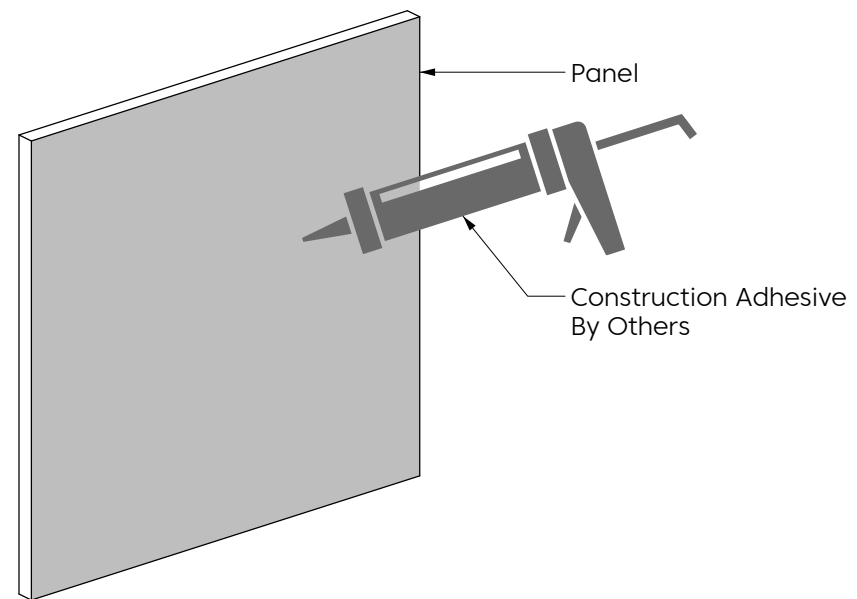
**Product available as full panels or as sections of a panel as filler pieces.
Choose any of the of the standard height or standard width options shown above to fill in the space

Mounting Methods

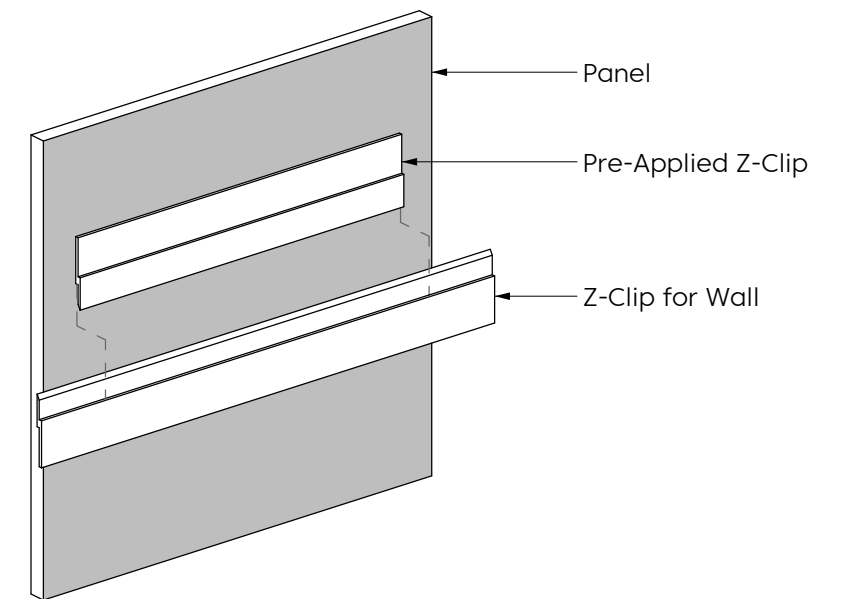
Adhesive Backing



Construction Adhesive



Z-Clip Wall Mount



*For wall mount application only