



Solid Wall Panels

Naturals Collection

Cultivate naturally quiet spaces with wall panels crafted from raw wool. Renewable, durable, and inherently soft and tactile, Naturals Collections Solid panels transform your space while maintaining your commitment to a healthier planet and workforce. From a full blanket of quiet to a single panel just where needed, Solid wall panels adapt to you.

Specifications

Surface	Wall
Material	100% wool
Thickness	1/2", 12mm (±10%) 3mm Naturals + 9mm Essentials
Weight	0.49 lb./ft ² (±10%)
Standard Sizes	12" up to 48" W (6" increments) 12" up to 108" H (6" increments), 110" H



Solid Wall Panels in Cliffside

Technical

NRC Rating	Material: 0.10 Product: Testing is pending
Fire Test	ASTM E84, Class 1 Flame spread index: 7 Smoke developed index: 160
Colorfastness	ISO 105-B02, 4
Certifications	100% Mulesing-free pure wool

Details

Lead Time	3 – 6 weeks
Origin	Manufactured and assembled in the US
Warranty	Product: 10 years*

* Conditions apply

Environmental

Indoor Air Quality	VOC less than/equal to 0.5mg/m ³
Recyclable	100%*
Certifications	Oeko-Tex® Standard 100 Certified Product Class II (100% Wool Design Felt)

* Wool is recyclable through participating partners.



Colorways

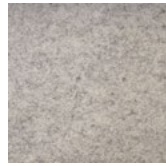
NATURALS



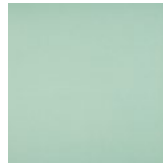
Coconut
CO02



Fog
FO01



Ash
AS08



Wintergreen
WI06



Grassland
GR07



Zest
ZE04



Fox
FO05



Shell
SH10



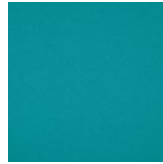
Fawn
FA03



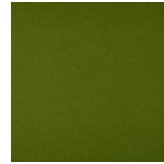
Cliffside
CL15



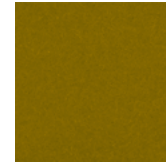
Indigo
IN20



Ocean
OC13



Hedge
HW14



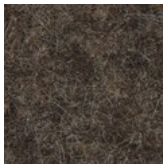
Tapenade
TA11



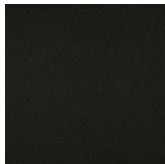
Amaryllis
AM12



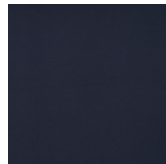
Mulberry
MU17



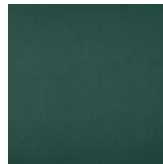
Thicket
TH09



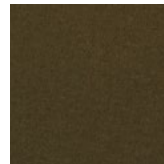
Raven
RA1



Night Sky
NI19



Balsam
BA21



Kelp
KE18

Order samples at acoufelt.com/colorways

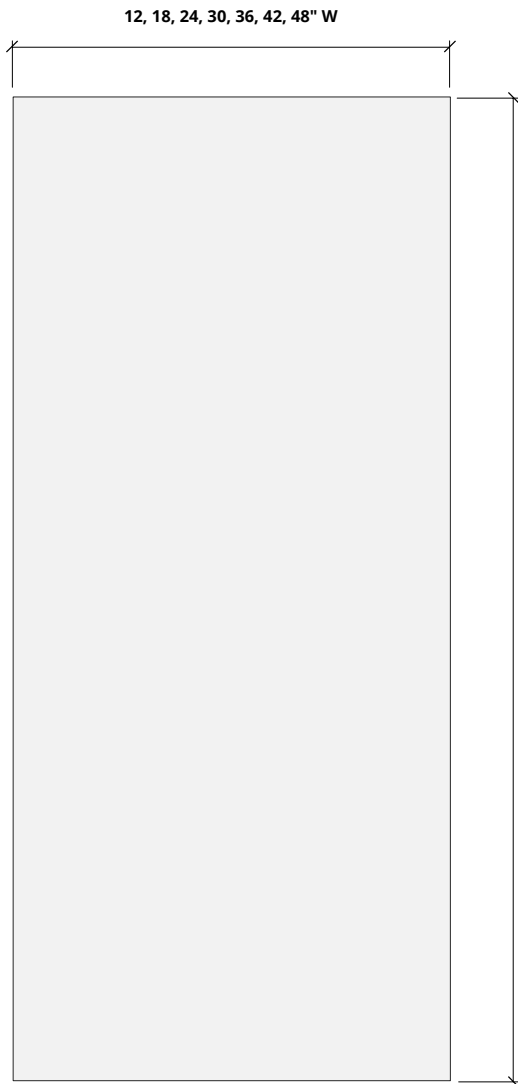


Call 800.966.8557 with questions or visit acoufelt.com for more product information, downloads, and colorways.

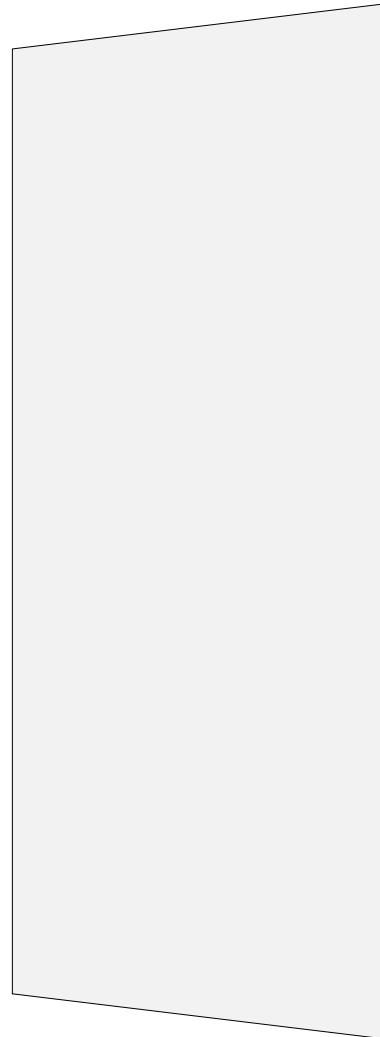
Sizes

Standard Sizes	12" up to 48" W (6" increments) 12" - 108" H (6" increments), 110" H
Thickness	1/2", 12mm (±10%) 3mm <i>Naturals</i> + 9mm <i>Essentials</i>

Plan



Perspective

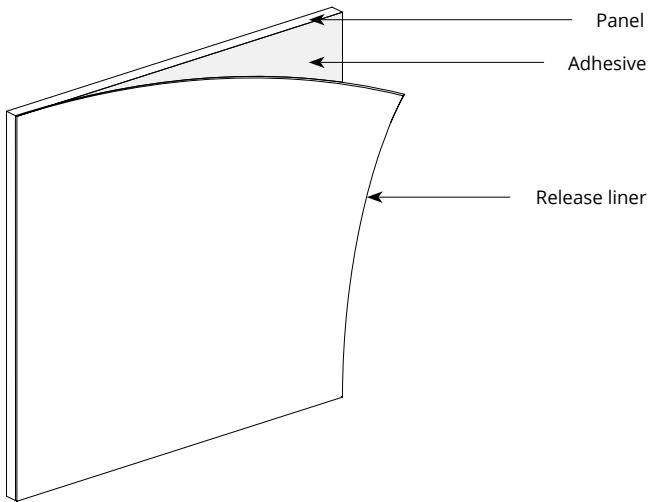


12mm thickness

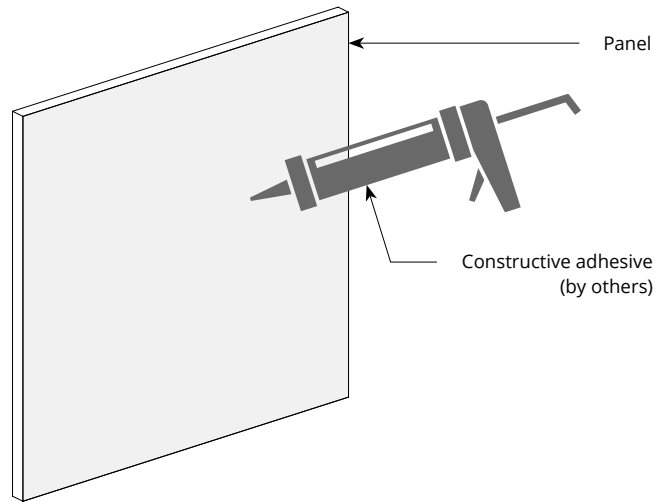


Mounting Methods

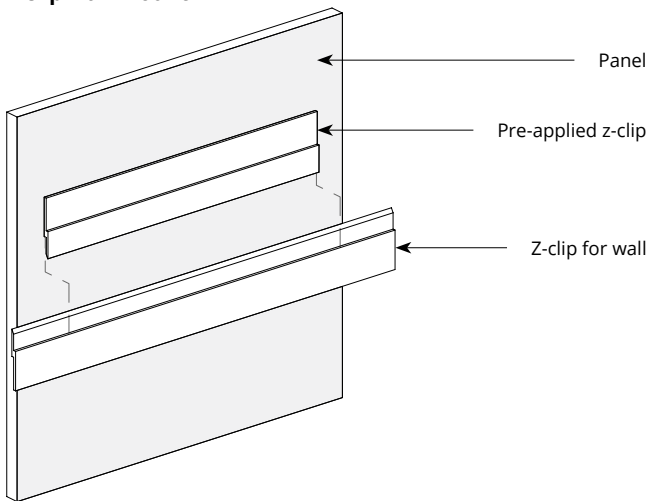
Adhesive backing



Construction adhesive



Z-clip wall mount



**For wall mount applications only.*

