



Solid Wall Panels

Essentials Collection

Any space becomes instantly more appealing when noise is kept in check. Solid acoustic panels from Acoufelt are the simple, competitive solution for busy public spaces, meeting and conference areas, and more - anywhere people come together. Apply to full walls or use here and there to target trouble spots

Specifications

Surface	Ceiling
Material	WhisperTex™ polyester felt
Thickness	3/8", 9mm (±10%)
Weight	0.34 lb./ft ² (±10%)
Standard Sizes	12" up to 48" W (6" increments) 12" up to 108" H (6" increments), 110" H



Solid Wall Panels in Jade

Technical

NRC Rating	0.35
Fire Test	ASTM E84, Class 1 Flame spread index: 7 Smoke developed index: 160
Colorfastness	ISO 105-B02, 4

Details

Lead Time	3 – 6 weeks
Origin	Manufactured and assembled in the US
Warranty	Product: 12 years* Colorfastness: 12 years*

* Conditions apply

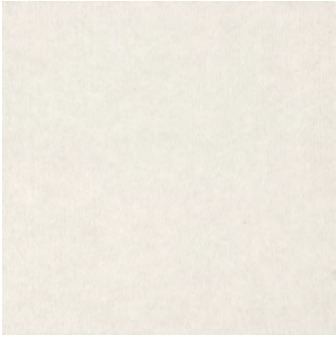
Environmental

Recycled Content	Minimum 55%
Indoor Air Quality	VOC less than/equal to 0.5mg/m ³
Recyclable	100%*
Certifications	TVOC Emissions Rate

* PET is recyclable through participating partners.



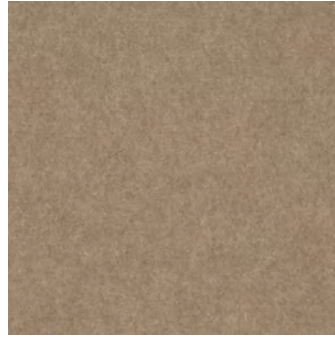
ESSENTIALS



Talc
TA08



Limestone
LI07



Silt
SI06



Shale
SH03



Pumice
PU05



Gypsum
GY04



Jade
JA02



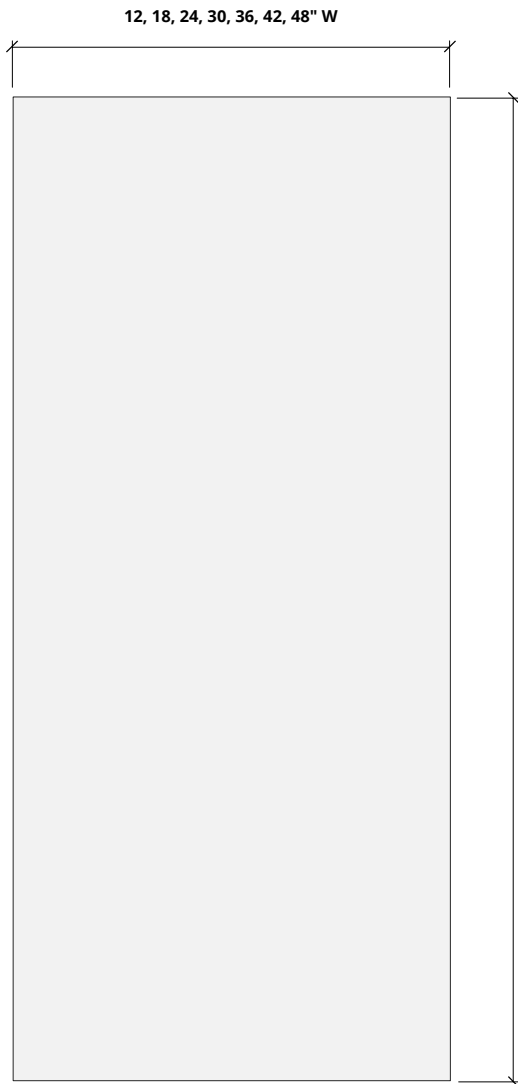
Basalt
BA01

Order samples at acoufelt.com/colorways

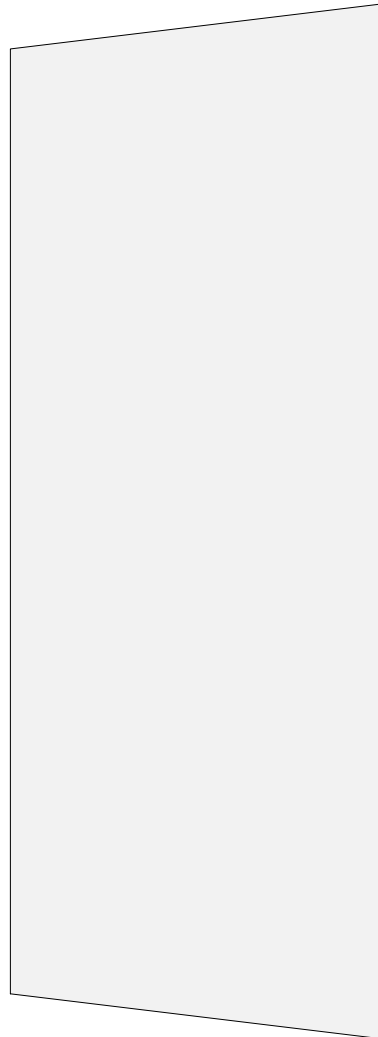
Sizes

Standard Sizes	12" up to 48" W (6" increments) 12" - 108" H (6" increments), 110" H
Thickness	3/8", 9mm (±10%)

Plan



Perspective

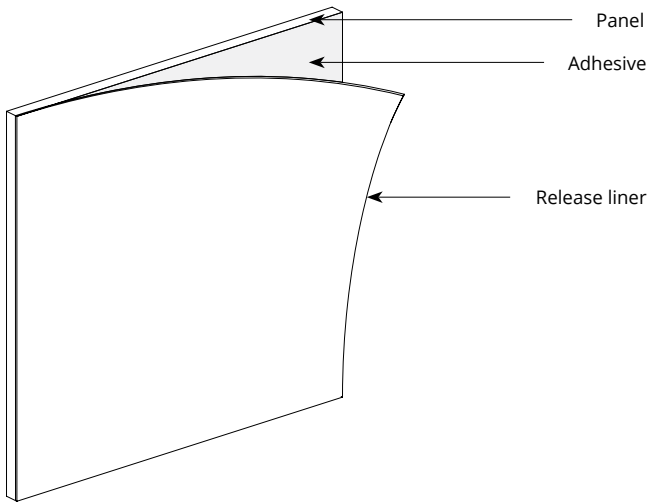


9mm thickness

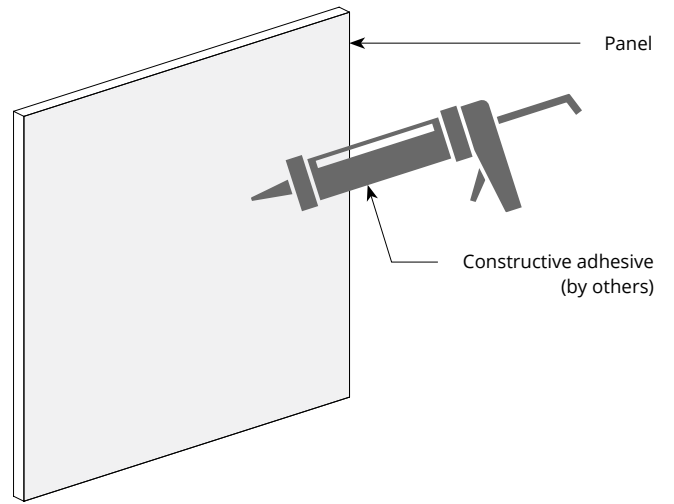


Mounting Methods

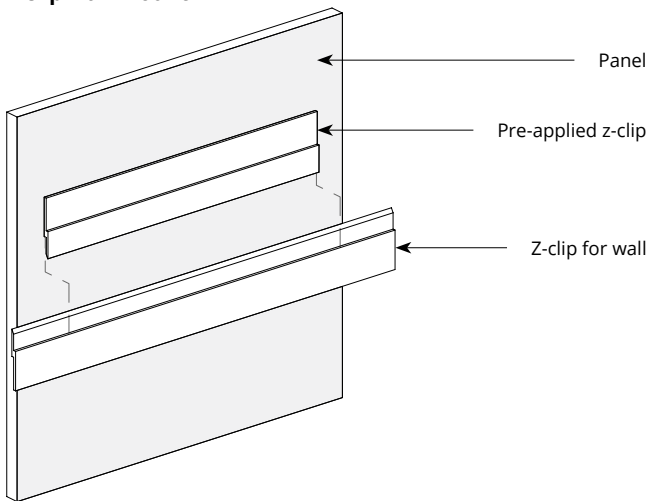
Adhesive backing



Construction adhesive



Z-clip wall mount



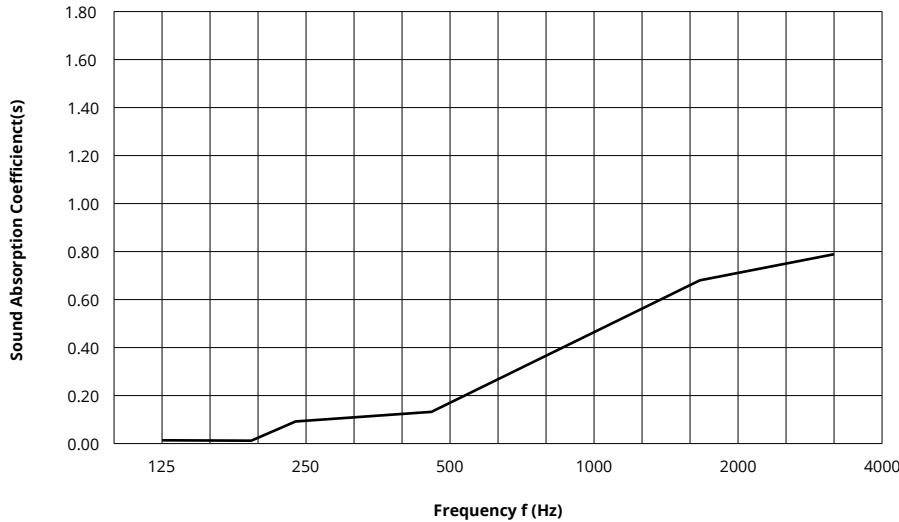
**For wall mount applications only.*



Call **800.966.8557** with questions or visit **acoufelt.com** for more product information, downloads, and colorways.

Acoustic Performance

Test Method	ASTM C423-17
Install Method	A
Rating Method	ISO 11654-2002
Test Results	NRC 0.35



Frequency f (Hz)	125	250	500	1000	2000	4000	NRC
9mm	0.03	0.09	0.16	0.40	0.67	0.79	0.35

What is a Noise Reduction Coefficient (NRC)?

You'll find the NRC rating in the specifications of all of our products. This acronym stands for Noise Reduction Coefficient, and is expressed as a single number, a rating that describes the degree to which acoustic products can absorb sound.

You can use NRC values to understand the overall performance of our acoustic wall and ceiling products. The higher the NRC, the better the product is at soaking up the sound.

Performance Indices: Noise Reduction Coefficient (NRC) results represent the absorption coefficients measured at the one third octave bands at 125, 250, 500, 1000, 2000 and 4000 Hz rounded to the nearest 0.05. Acoustic testing has been performed according to the methods mentioned above. Customization of installation of the product could alter the results. Sound Absorption Average (SAA) indicates the absorption coefficient average for the twelve one-third octave bands ranging between 200 and 2500 Hz.