



Seam Panel

FilaSorb™ 12

acoufelt
making quiet

Product Detail

Product	Seam Panel
Surface	Wall
Composition	100% Polyester
Material	FilaSorb™
Recycled Content	60% min.
Material Thickness	12mm 0.47" or 24mm 0.94" +/- 10%
Weight	2400 g/m ² 0.49 lb/ft ² or 4800 g/m ² 0.98 lb/ft ² +/- 10%
Standard Dimensions	See page 4 for size offerings.
Lead Time	Ships in 3-6 weeks
Warranty Against Defects	20 Years*
ColorFastness Warranty	20 Years*

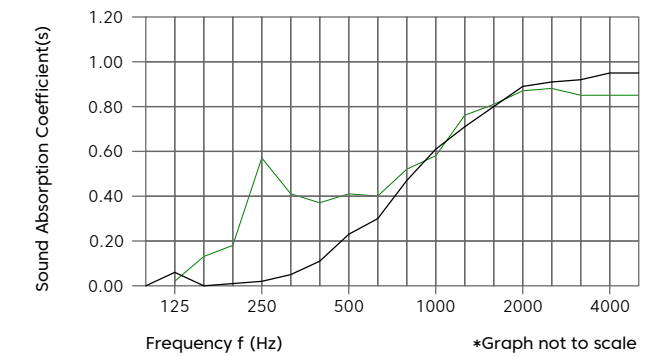
* conditions apply

Technical Data

Fire Test Method	ASTM E84-17a Class A
Total VOC Test Method	SCS-EC10.3-2014 v4.0 meeting standard CDPH/EHLB Standard Method v.1.2-2017, ≤ 0.5mg/m ³
ColorFastness (Solid colors only)	ISO 105-B02, 6-7

Acoustic Performance

Sound Absorption ISO 354-2006 NRC 0.45
NRC 0.60



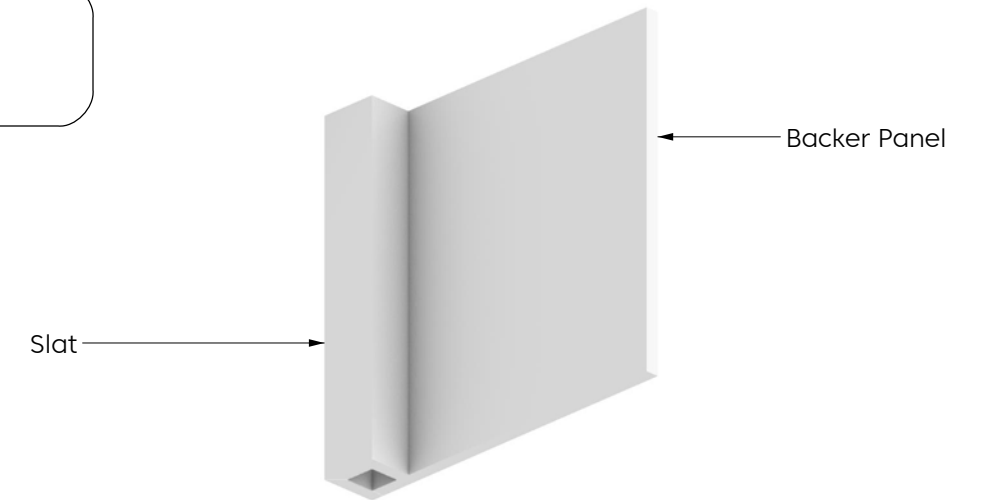
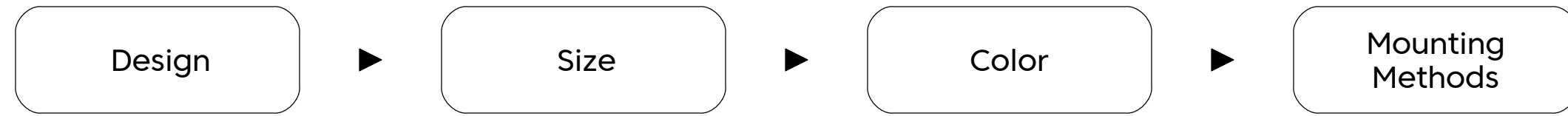
Frequency f(Hz)	125	250	500	1000	2000	4000	NRC
12mm α _s	0.06	0.02	0.23	0.61	0.89	0.95	0.45
24mm α _s	0.02	0.57	0.41	0.58	0.87	0.85	0.60

Environmental Attributes

- Made from 60% min. recycled content
- Red List Free Declare Label (3rd Part Verified)
- Generated using 40% solar energy
- Recyclable at end-of-life
- Total VOC's less than 0.5mg/m³ (3rd Part Verified)

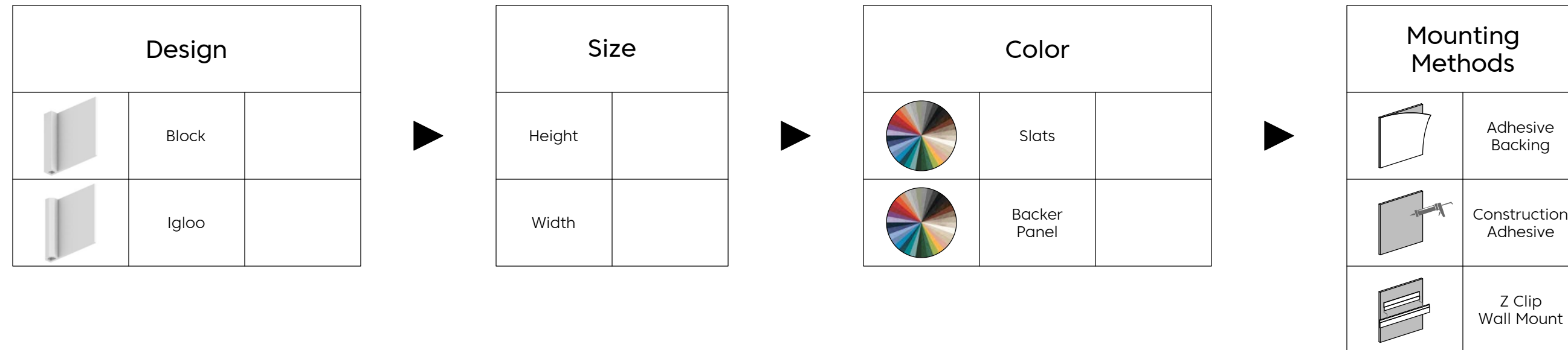


Specifying Process



* Ships assembled

Choose Your Option See following pages for details.

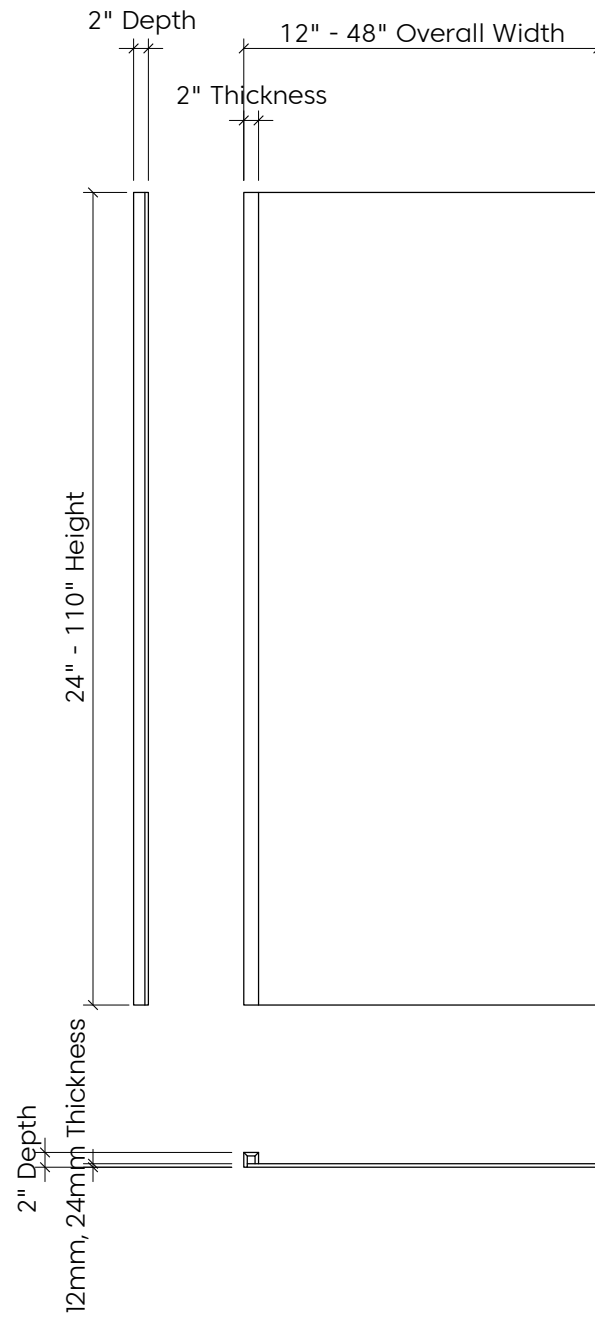


Block Design



Elevation

Perspective

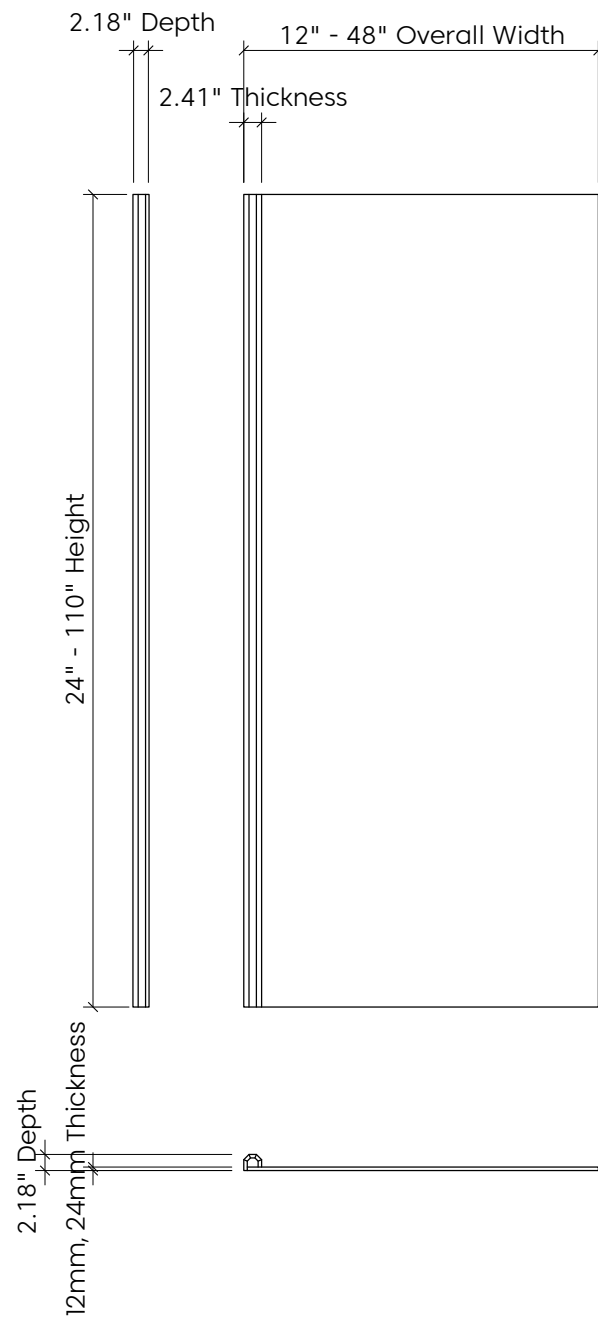


Igloo Design



Elevation + Plan

Perspective



Color Scheme Examples



+ Slat Color
+ Backer Panel Color
Slat + Backer Panel
Color Code Color Code

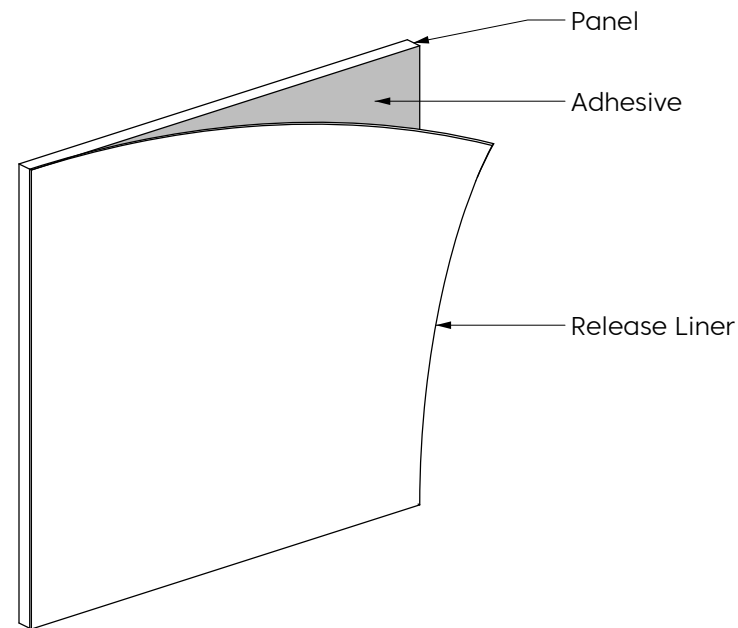
+ Pistachio
+ White
PI25 + WH12

Go To Colorway

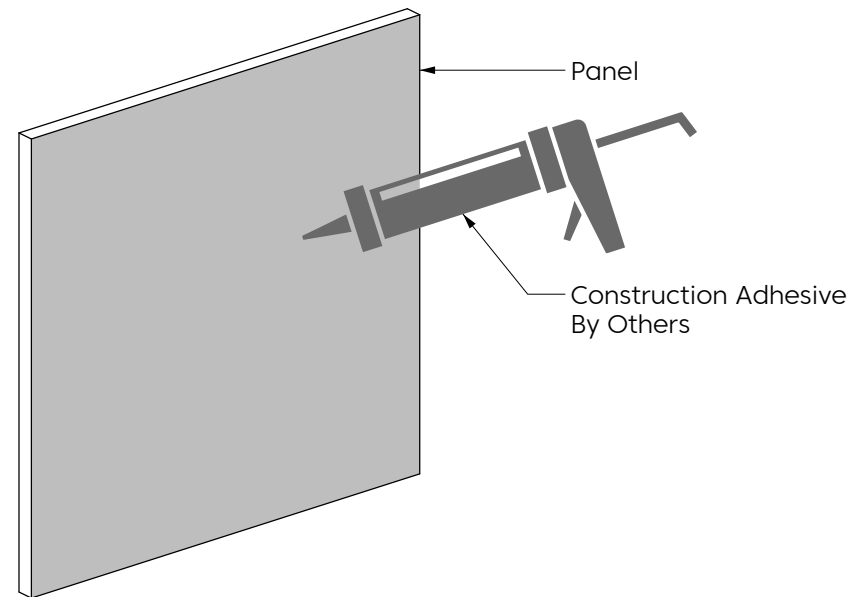
Mounting Methods



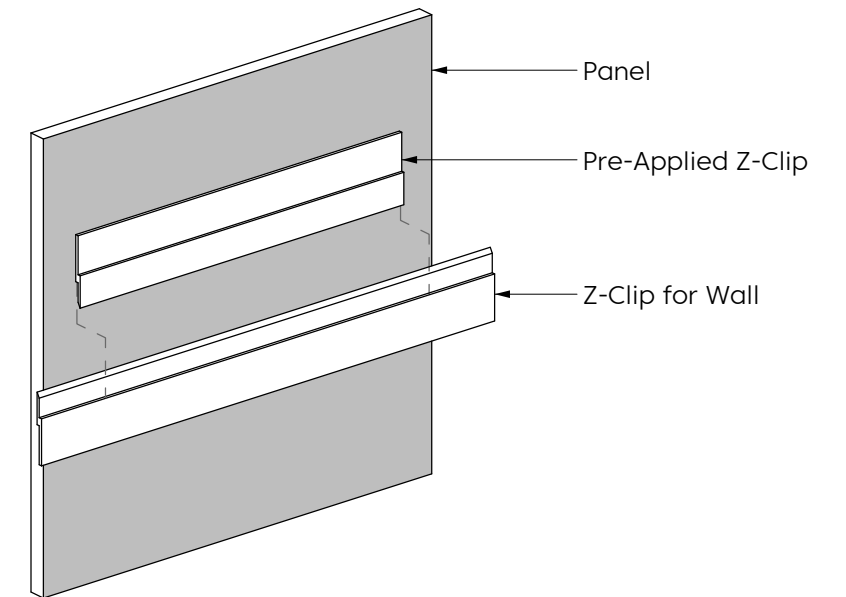
Adhesive Backing



Construction Adhesive



Z-Clip Wall Mount



*For wall mount application only