



# Raised Panel

FilaSorb™ 12

acoufelt  
making quiet

# Product Detail

Product	Raised Panel
Surface	Wall
Composition	100% Polyester
Material	FilaSorb™
Recycled Content	60% min.
Material Thickness	12mm   0.47" or 24mm   0.94" +/- 10%
Weight	2400 g/m <sup>2</sup>   0.49 lb/ft <sup>2</sup> or 4800 g/m <sup>2</sup>   0.98 lb/ft <sup>2</sup> +/- 10%
Standard Dimensions	See page 4 for size offerings.
Lead Time	Ships in 3-6 weeks
Warranty Against Defects	20 Years*
ColorFastness Warranty	20 Years*

\* conditions apply

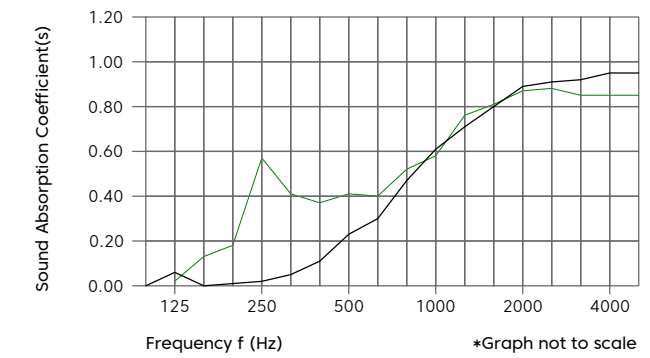
# Technical Data

Fire Test Method	ASTM E84-17a Class A
Total VOC Test Method	SCS-EC10.3-2014 v4.0 meeting standard CDPH/EHLB Standard Method v.1.2-2017, ≤ 0.5mg/m <sup>3</sup>
ColorFastness (Solid colors only)	ISO 105-B02, 6-7

# Acoustic Performance

Sound Absorption ISO 354-2006 NRC 0.45

NRC 0.60



Frequency f (Hz)	125	250	500	1000	2000	4000	NRC
12mm α <sub>s</sub>	0.06	0.02	0.23	0.61	0.89	0.95	0.45
24mm α <sub>s</sub>	0.02	0.57	0.41	0.58	0.87	0.85	0.60

# Environmental Attributes

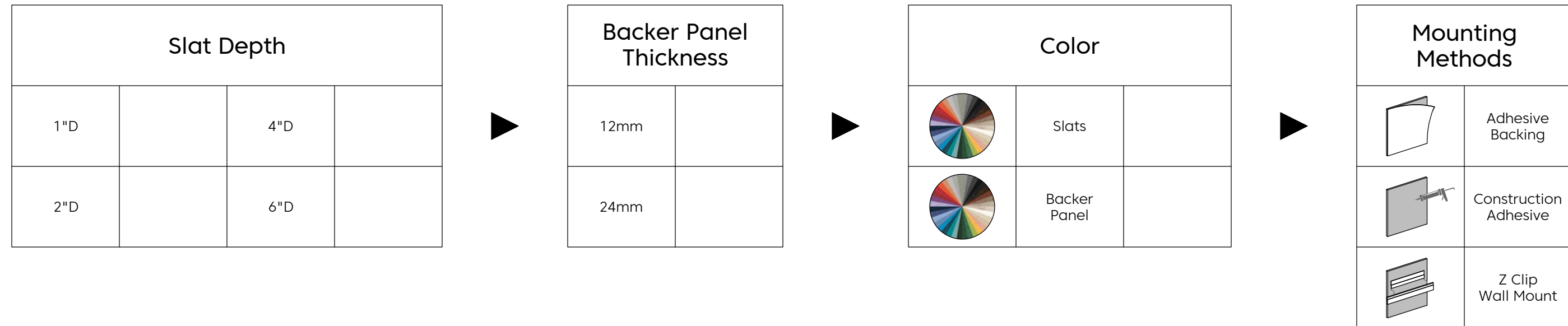
- Made from 60% min. recycled content
- Red List Free Declare Label (3rd Part Verified)
- Generated using 40% solar energy
- Recyclable at end-of-life
- Total VOC's less than 0.5mg/m<sup>3</sup> (3rd Part Verified)



# Specifying Process



## Choose Your Option See following pages for details.



# 1"D Design

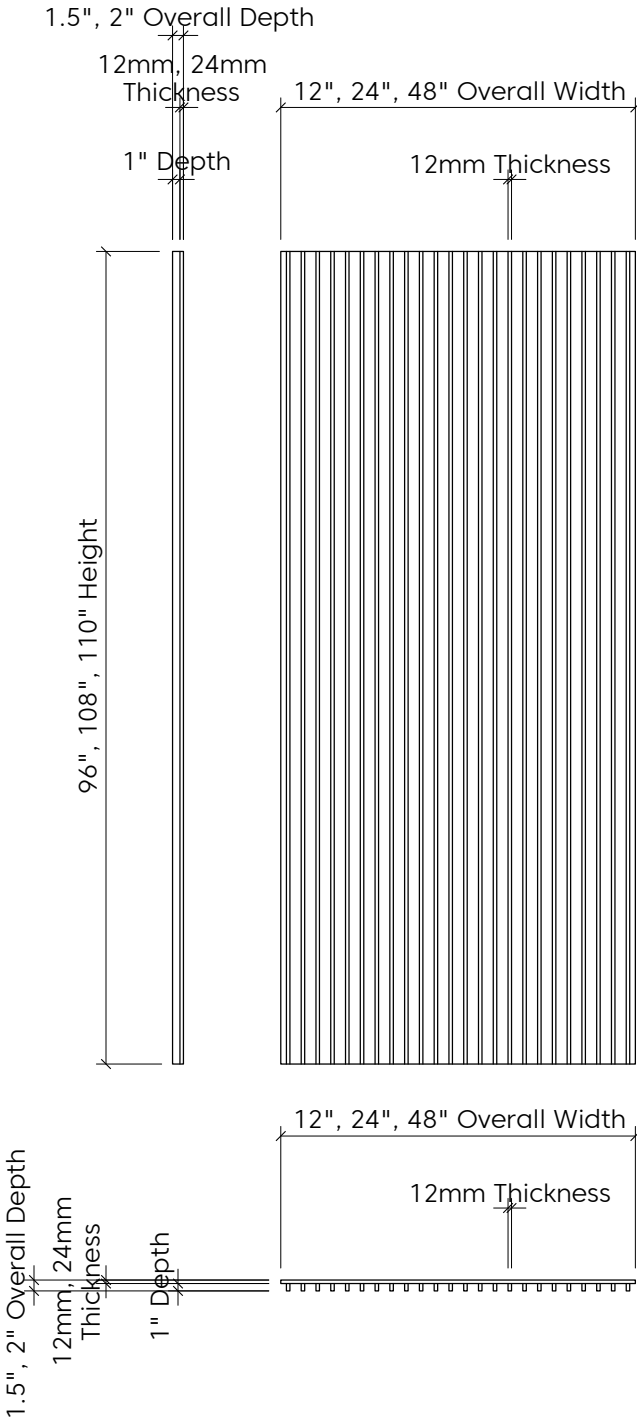
Slat Depth

Backer Panel Thickness

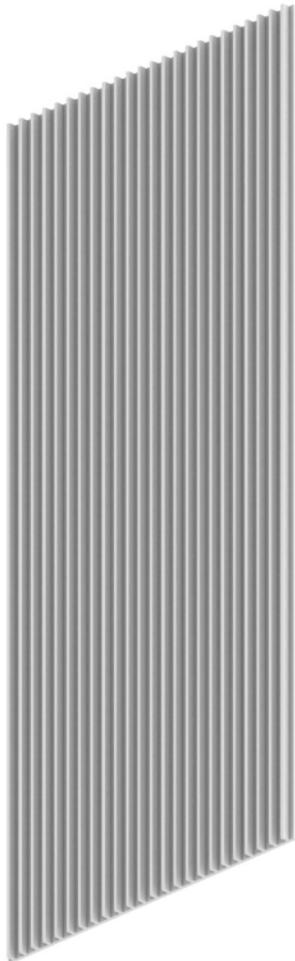
Color

Mounting Methods

## Elevation & Plan



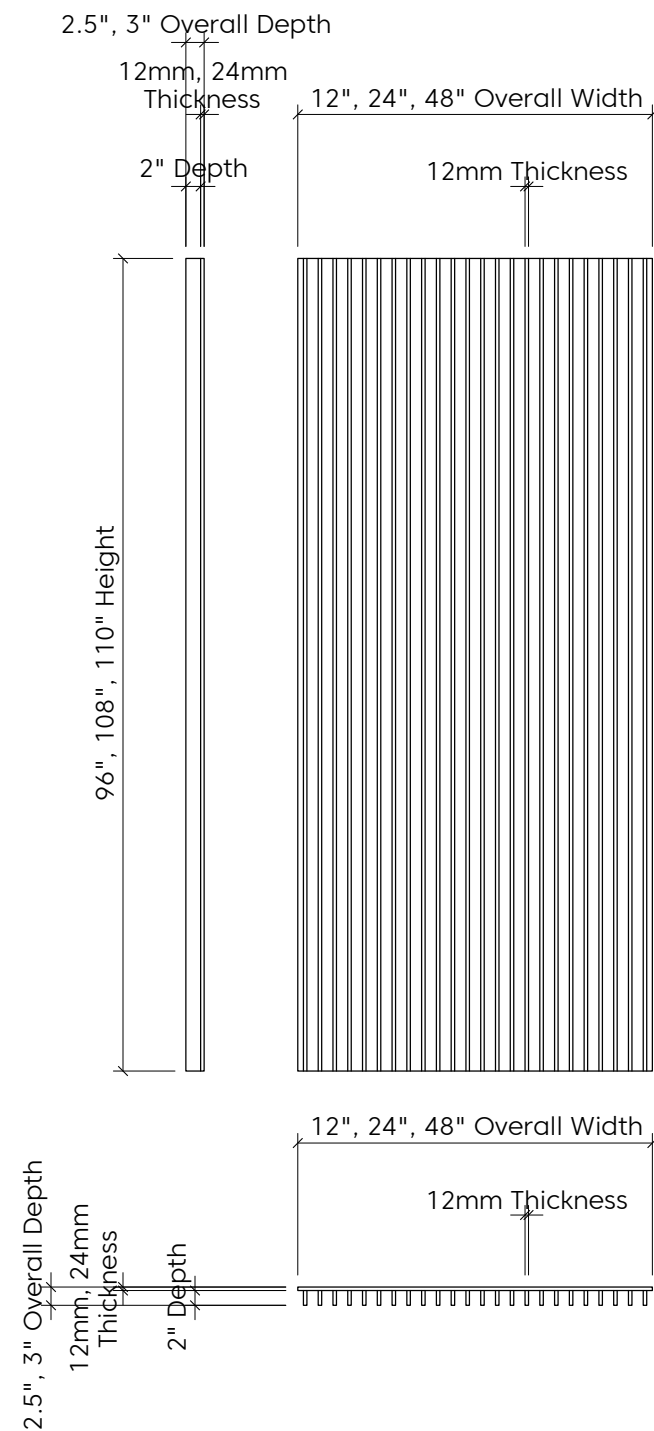
## Perspective



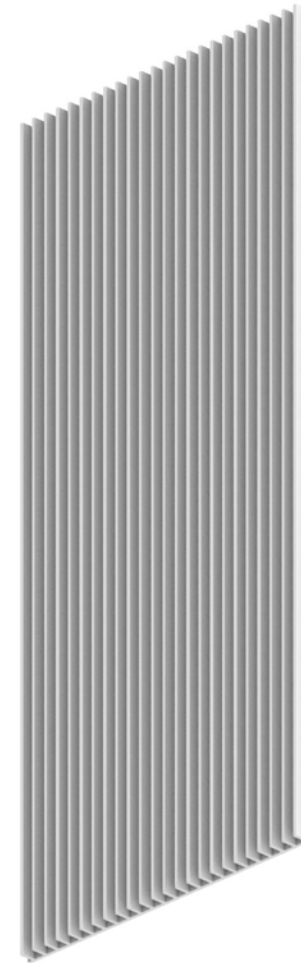
# 2"D Design



## Elevation & Plan



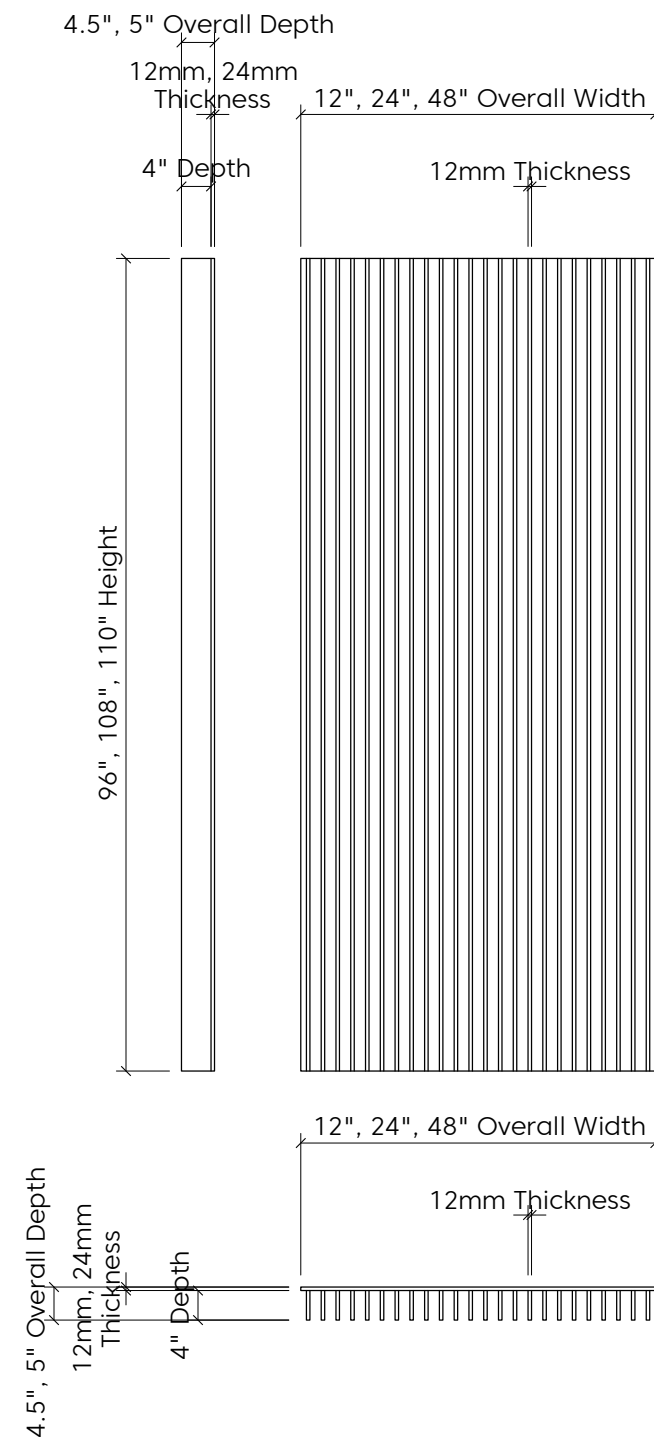
## Perspective



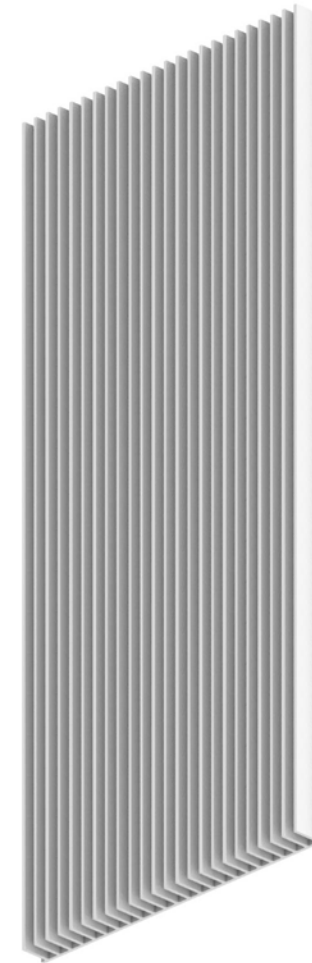
# 4"D Design



## Elevation & Plan



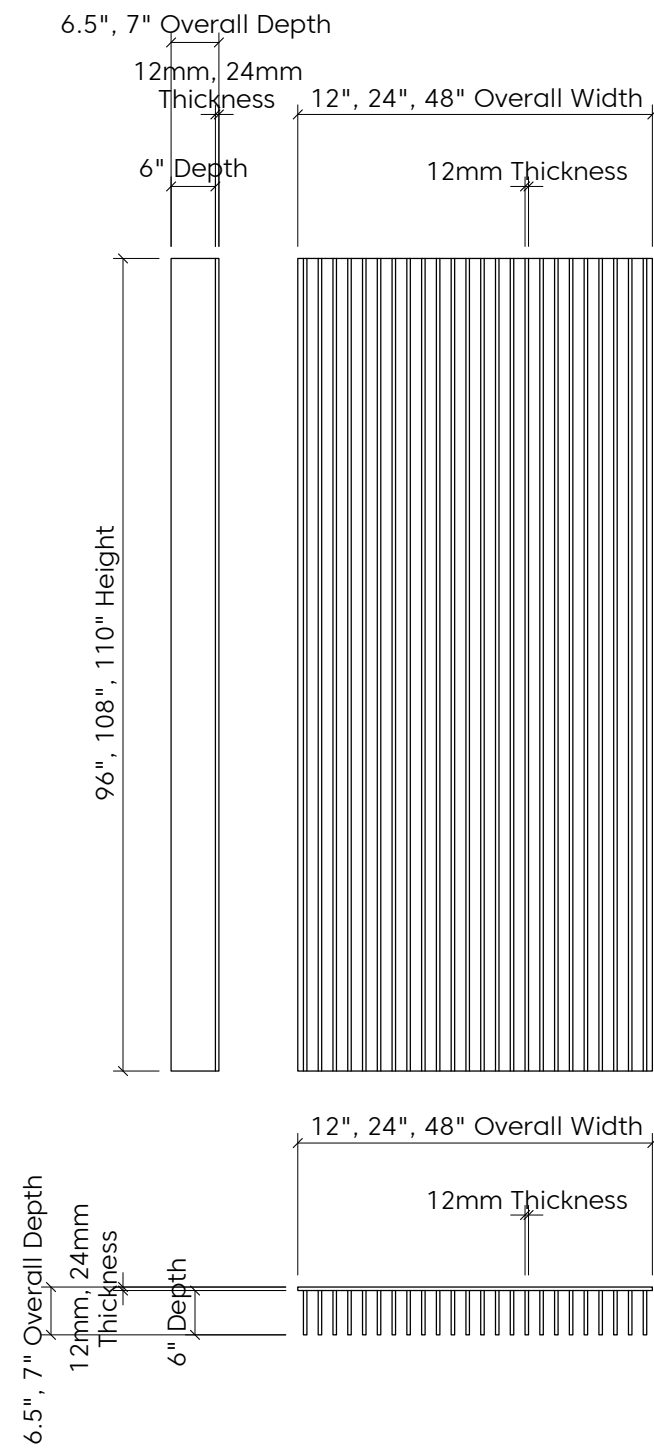
## Perspective



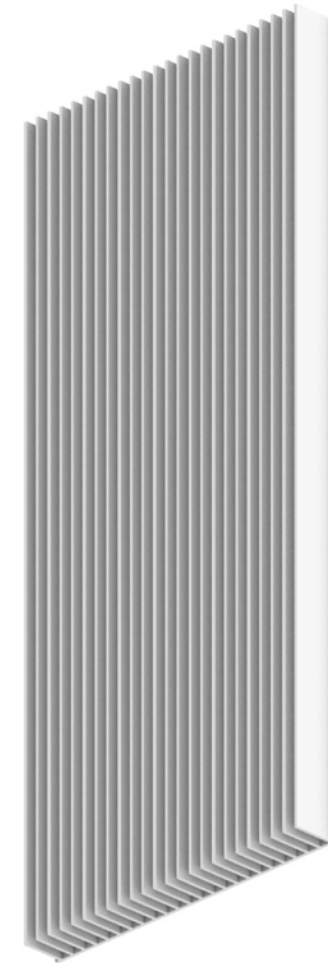
# 6"D Design



## Elevation & Plan



## Perspective



# Color Scheme Examples



Color  
Color Code



Amethyst  
AM69



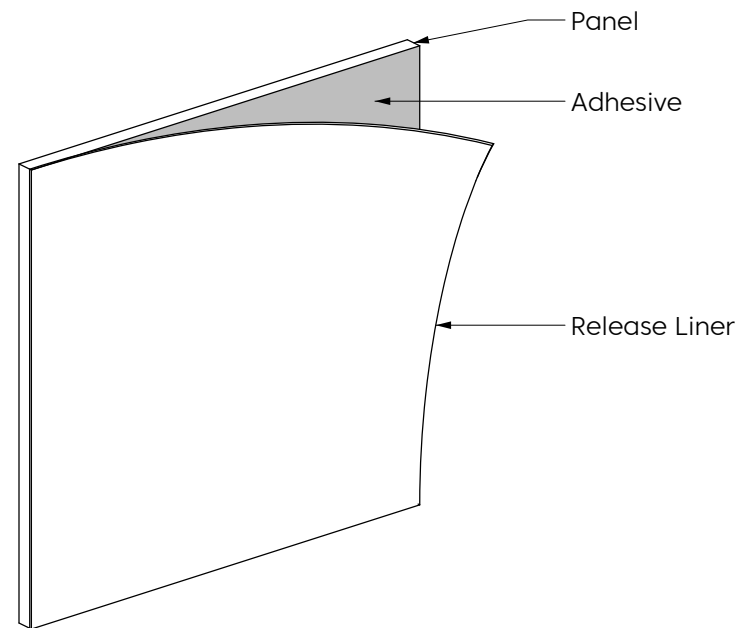
Go To Colorway



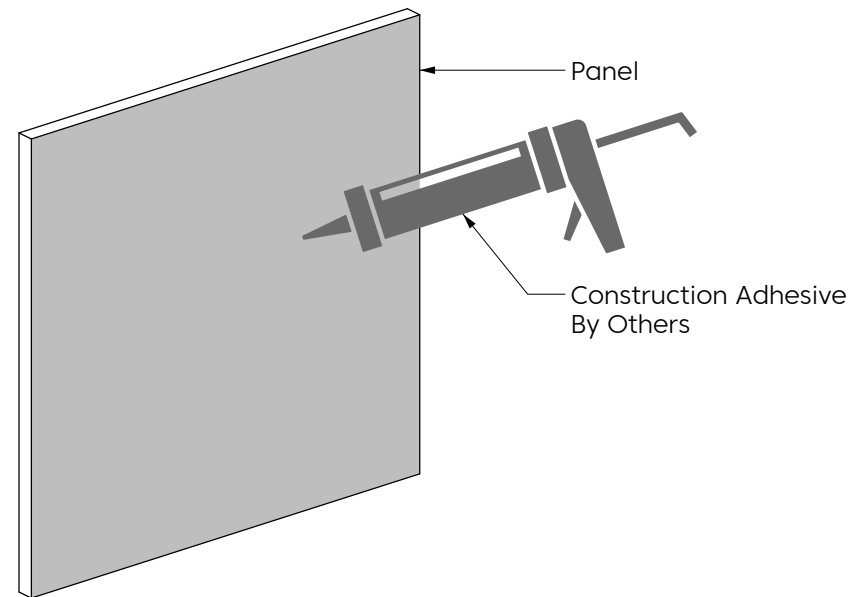
# Mounting Methods



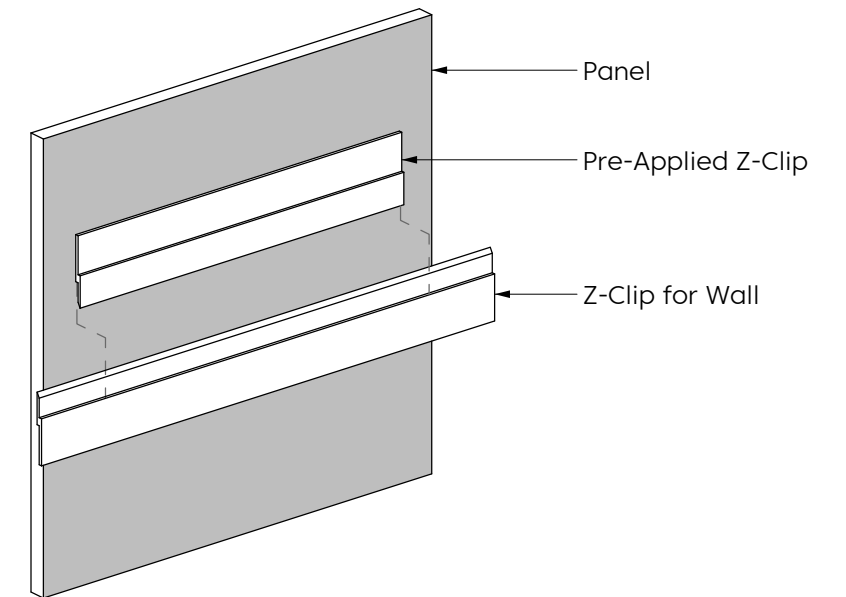
## Adhesive Backing



## Construction Adhesive



## Z-Clip Wall Mount



\*For wall mount application only