



Pendant Ceiling Cloud

FilaSorb™ 12

acoufelt
making quiet

Product Detail

Product	Pendant Ceiling Cloud
Surface	Ceiling
Composition	100% Polyester
Material	FilaSorb™
Recycled Content	60% min.
Material Thickness	12mm 0.47" +/- 10%
Material Weight	0.49 lb/ft ² +/- 10%
Standard Dimension	See page 3 for size offerings. Custom size available upon request.
Lead Time	Ships in 3-6 weeks
Warranty Against Defects	20 Years*
Colorfastness Warranty	20 Years*

* conditions apply

Colorways

* [Go To Colorway Page](#)



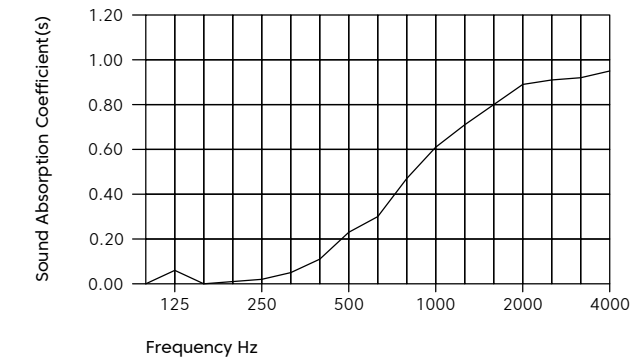
 Manufactured & Assembled in the USA

Technical Data

Fire Test Method	ASTM E84-17a Class A
Total VOC Test Method	SCS-EC10.3-2014 v4.0 meeting standard CDPH/EHLB Standard Method v.1.2-2017, ≤ 0.5mg/m ³
ColorFastness	ISO 105-B02, 6-7

Acoustic Performance

Test Method	ASTM E795-16
Installation Method	A
Details of Mounting Method	No air gap
Rating Method	ISO 11654-1997 Acoustic – sound absorbers for use in buildings – rating of sound absorption
12mm Test Result	NRC 0.45



Frequency Hz	125	250	500	1000	2000	4000	NRC
12mm α _s	0.06	0.02	0.23	0.61	0.89	0.95	0.45

Performance Indices: Noise Reduction Coefficient (NRC) results represent the absorption coefficients measured at the one third octaves bands at 125, 250, 500, 1000, 2000 and 4000 Hz rounded to the nearest 0.05. Acoustic testing has been performed according to the methods mentioned above. Customisation of installation of the product could alter the results.

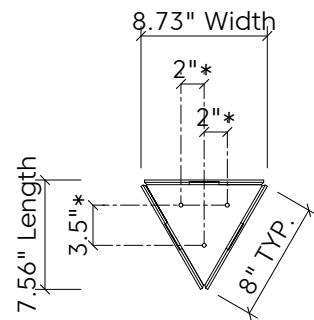
Environmental Attributes

- Made from 60% min. recycled content
- Red List Free Declare Label (3rd Party Verified)
- Generated using 40% solar energy
- Recyclable at end-of-life
- Total VOC's less than 0.5mg/m³ (3rd Party Verified)

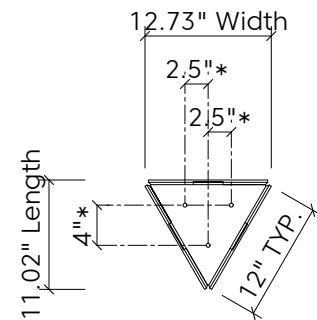


Design

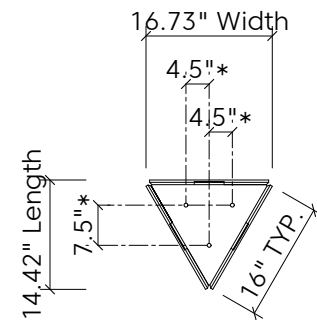
Plan



Plan



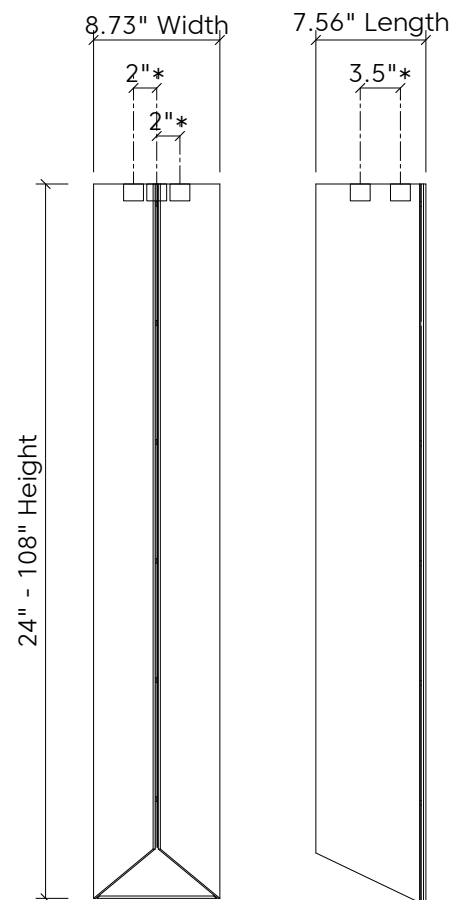
Plan



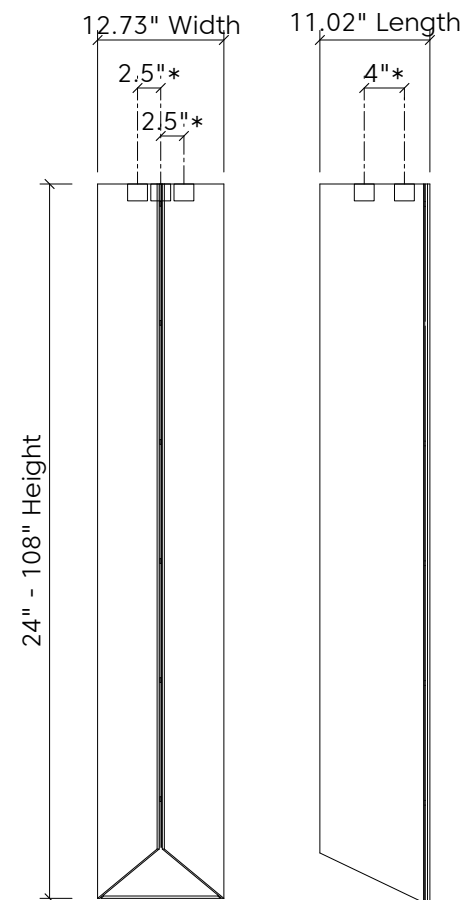
Perspective



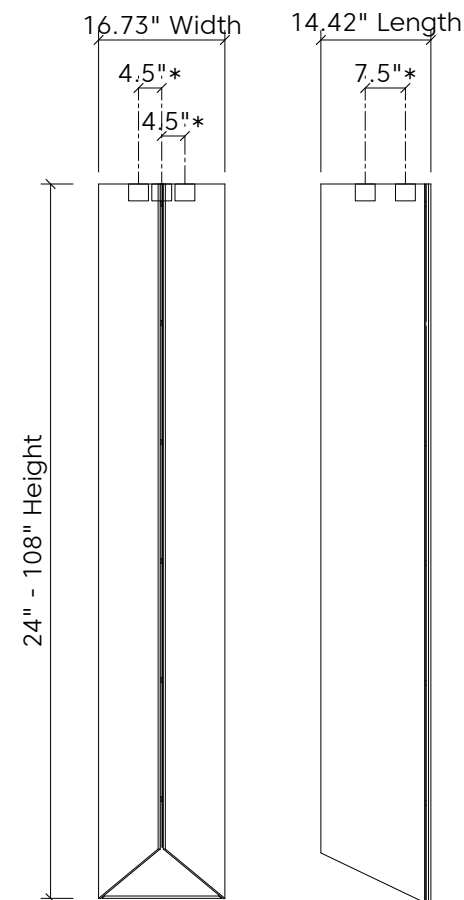
Elevation



Elevation



Elevation



* On Center Attachment Spacing

Colorways Example



Color
Color Code



Pearl
PE21



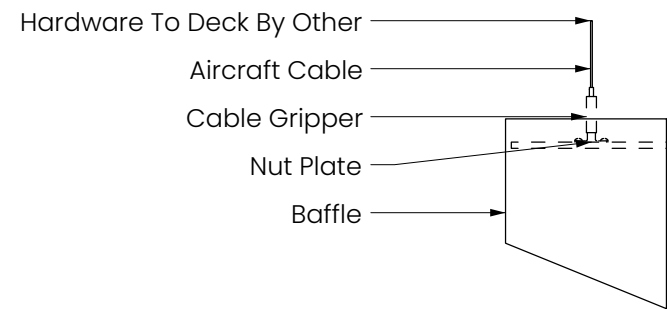
Ivory
IV11



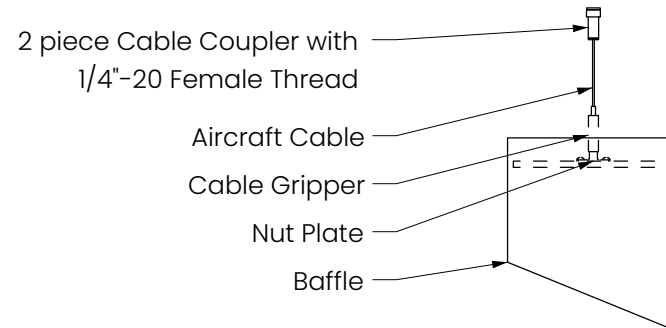
Go To Colorway

Mounting Methods

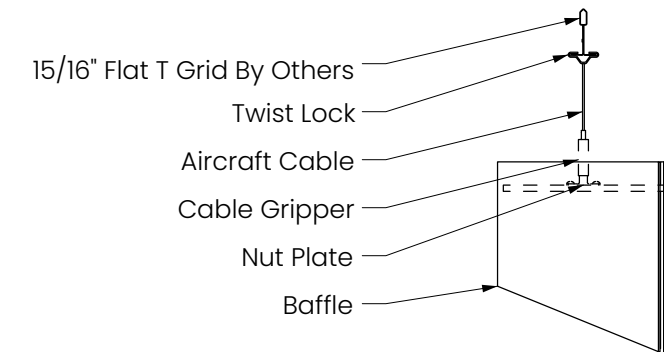
Cable



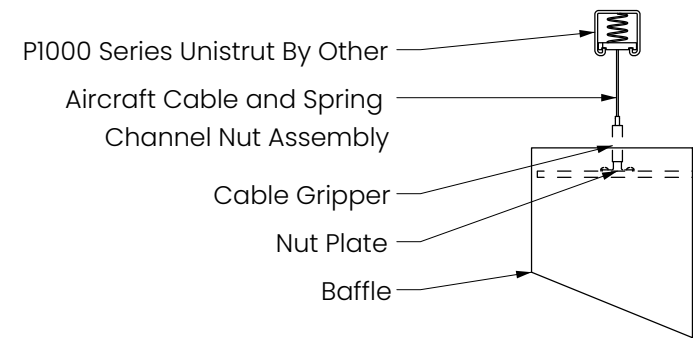
Cable To Deck



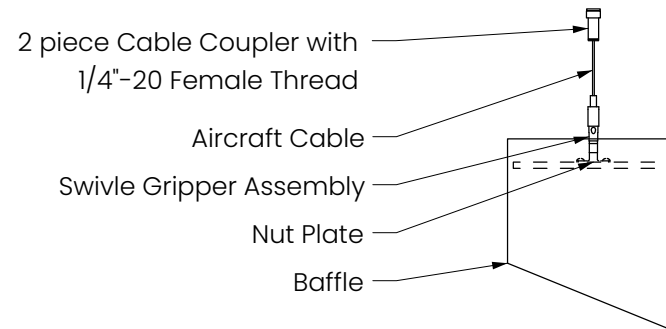
Cable To T Grid



Cable To Unistrut

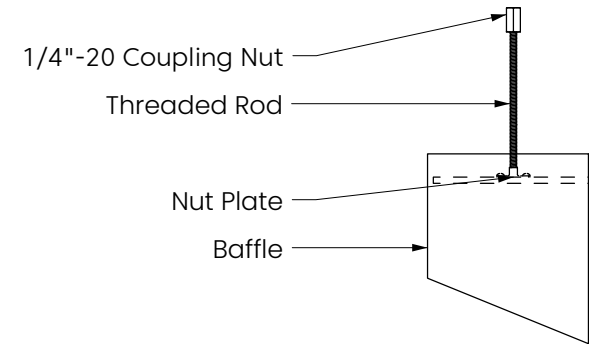


Swivel Cable To Deck

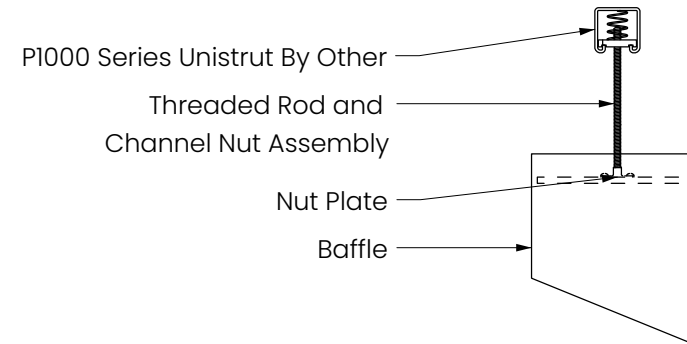


Mounting Methods

Threaded Rod



Threaded Rod To Unistrut



Direct To Unistrut

