



Fan Ceiling Baffle

FilaSorb™ 12, FilaSorb™ 24

acoufelt
making quiet

Product Detail

Product	Fan Ceiling Baffle
Surface	Ceiling
Composition	100% Polyester
Material	FilaSorb™
Recycled Content	60% min.
Material Thickness	12mm 0.47" or 24mm 0.94" +/- 10%
Material Weight	0.49 lb/ft ² or 0.98 lb/ft ² +/- 10%
Standard Dimension	See page 6 for size offerings. Custom size available upon request.
Lead Time	Ships in 3-6 weeks
Warranty Against Defects	20 Years*
Colorfastness Warranty	20 Years*

* conditions apply

Colorways

* [Go To Colorway Page](#)



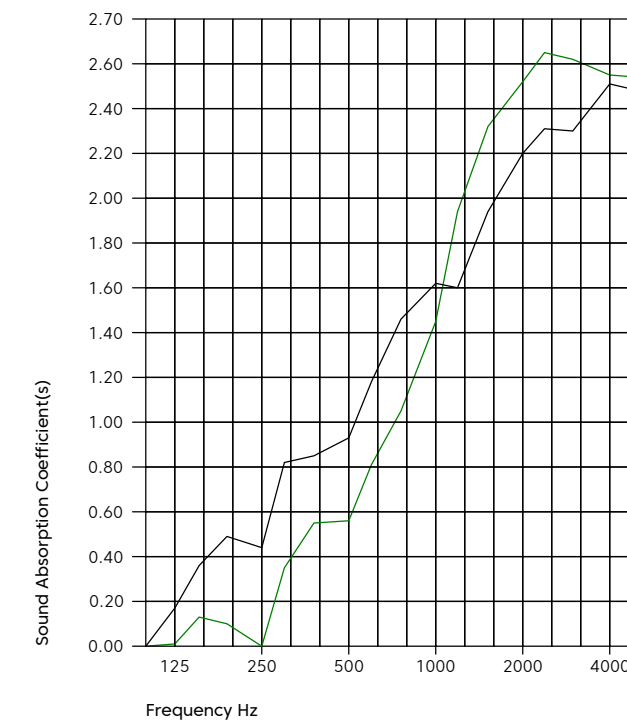
 Manufactured & Assembled in the USA

Technical Data

Fire Test Method	ASTM E84-17a Class A
Total VOC Test Method	SCS-EC10.3-2014 v4.0 meeting standard CDPH/EHLB Standard Method v.1.2-2017, ≤ 0.5mg/m ³
Colorfastness	ISO 105-B02, 6-7

Acoustic Performance

Test Method	ASTM E795-16
Installation Method	J-600
Details of Mounting Method	Sample tested 6 Linear baffles each 110"L x 12"D x 12mm & 24mm TH, sample hanging 600m from the floor and 6"O.C. from each other.
Rating Method	ASTM C423-17
12mm Test Result	NRC 1.30
24mm Test Result	NRC 1.15



Frequency Hz	125	250	500	1000	2000	4000	NRC
12mm α _s	0.17	0.44	0.93	1.62	2.20	2.51	1.30
24mm α _s	0.01	0.00	0.56	1.45	2.52	2.55	1.15

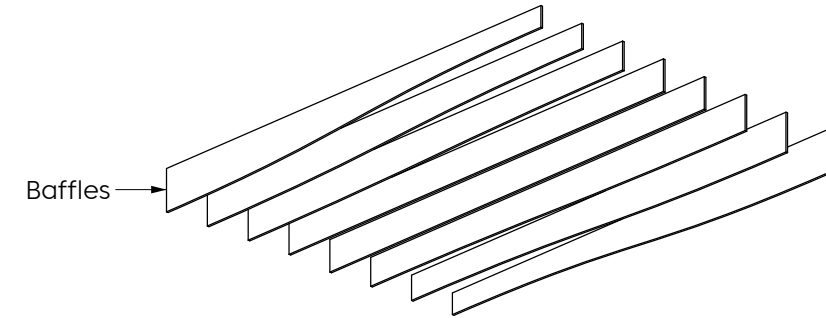
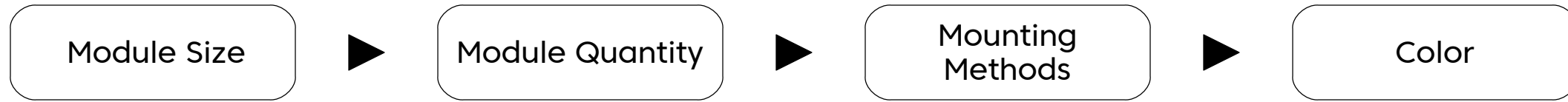
Performance Indices: Noise Reduction Coefficient (NRC) results represent the absorption coefficients measured at the one third octaves bands at 125, 250, 500, 1000, 2000 and 4000 Hz rounded to the nearest 0.05. Acoustic testing has been performed according to the methods mentioned above. Customisation of installation of the product could alter the results.

Environmental Attributes

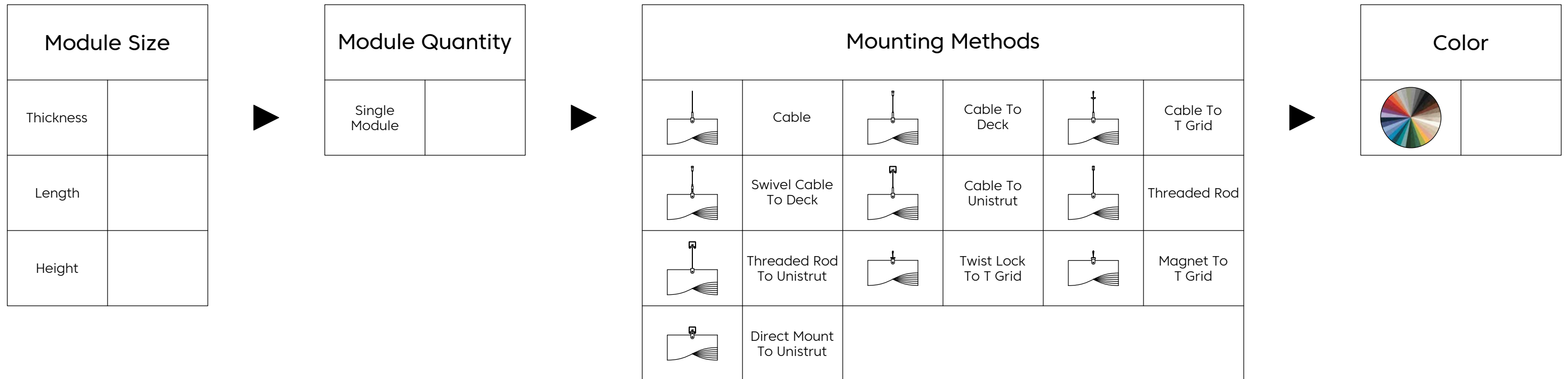
- Made from 60% min. recycled content
- Red List Free Declare Label (3rd Party Verified)
- Generated using 40% solar energy
- Recyclable at end-of-life
- Total VOC's less than 0.5mg/m³ (3rd Party Verified)



Specifying Process

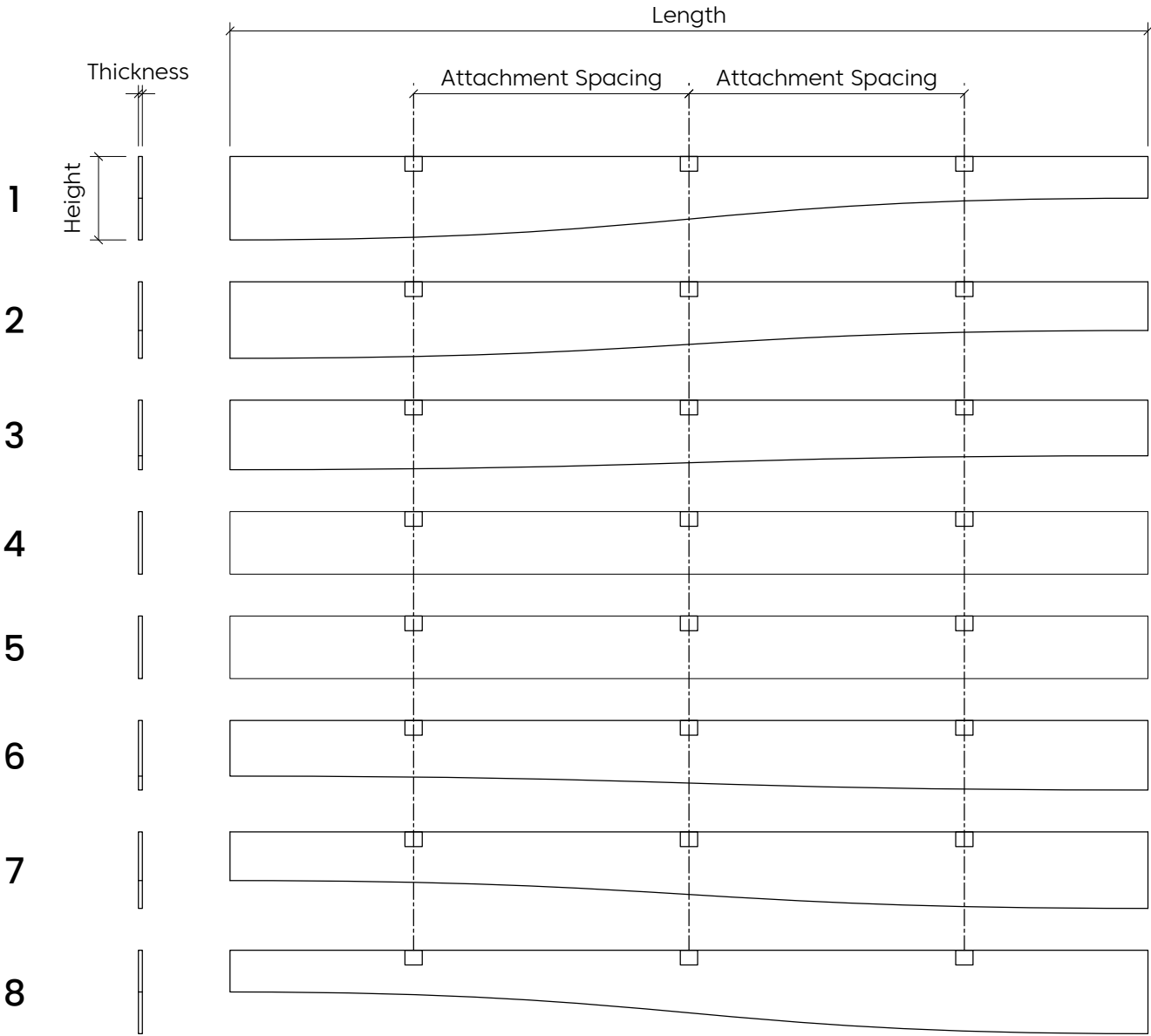


Choose Your Option See following pages for details.

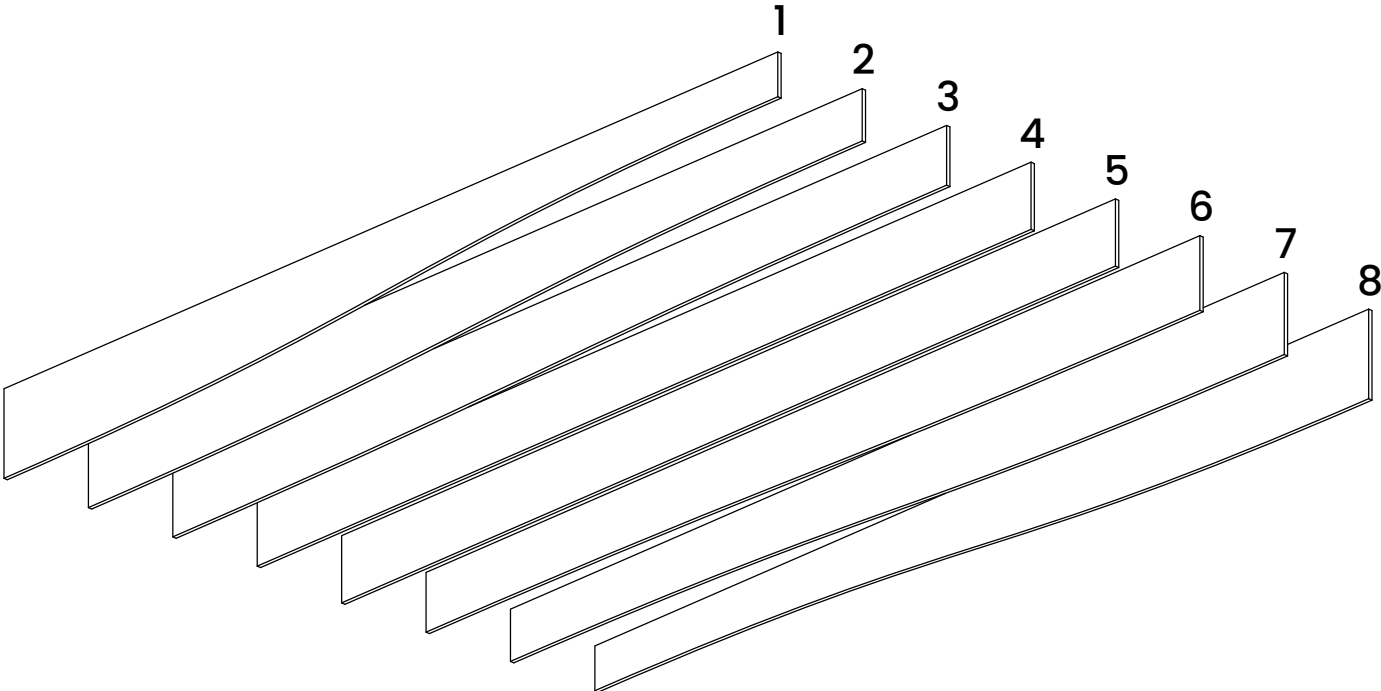


12mm Design

Elevation



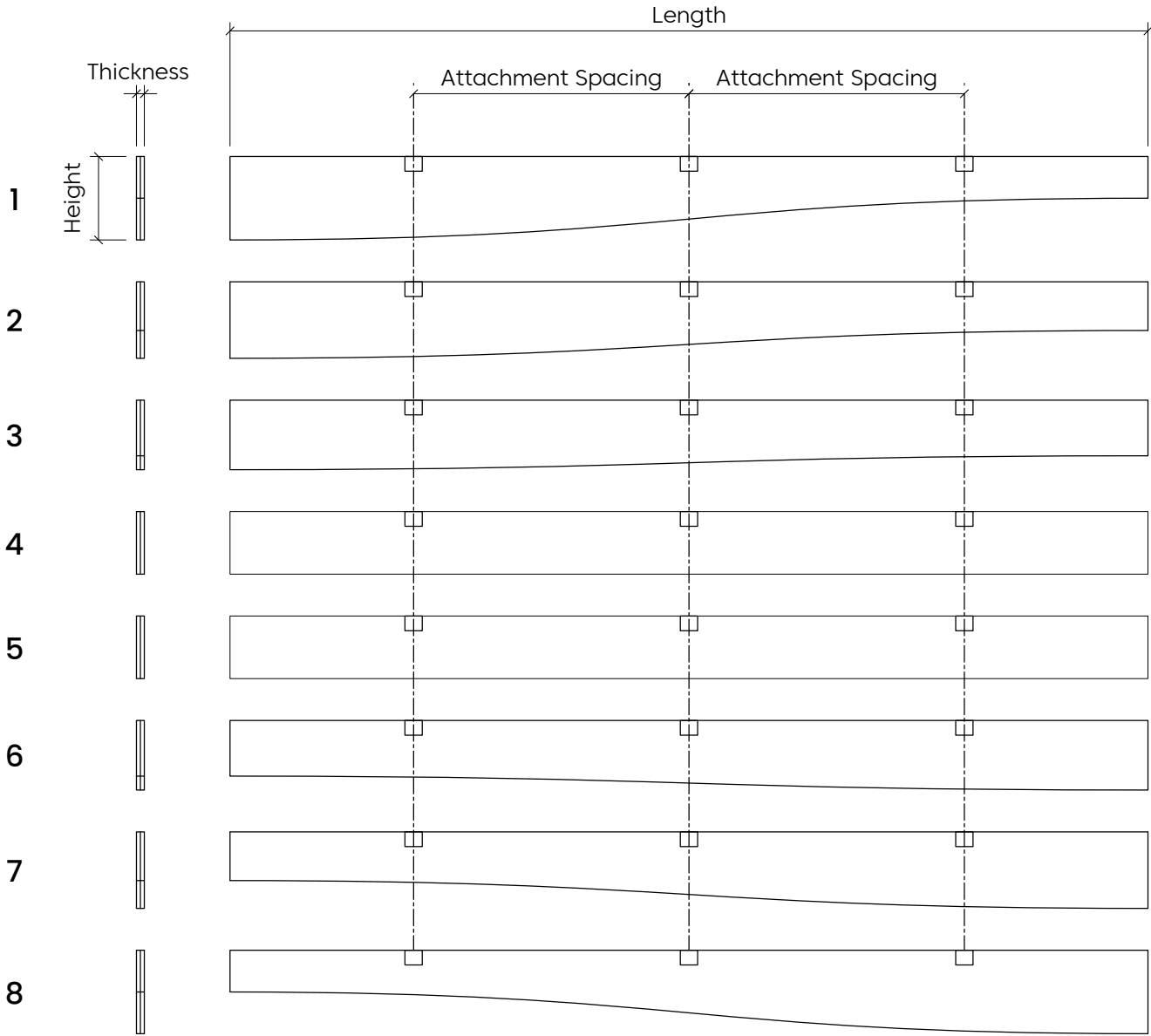
Perspective



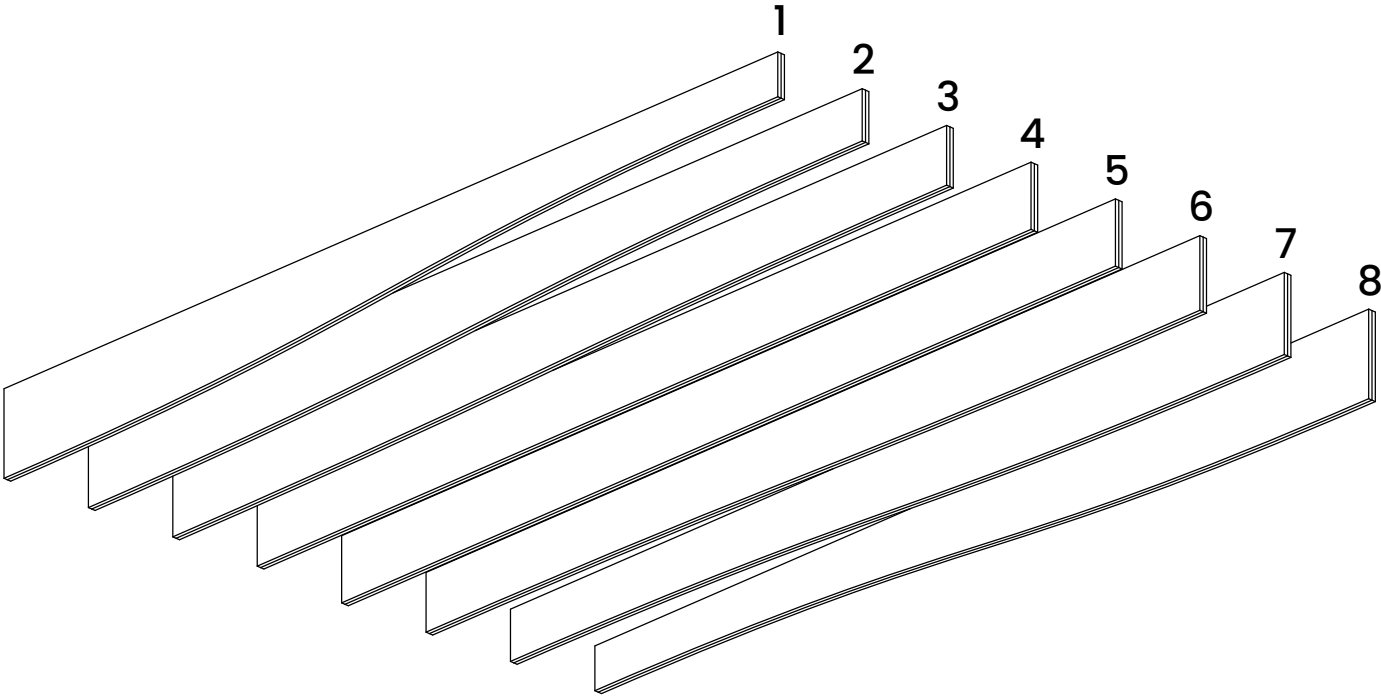
* Number of connections may vary depending on length

24mm Design

Elevation



Perspective



* Number of connections may vary depending on length

12mm & 24mm Design

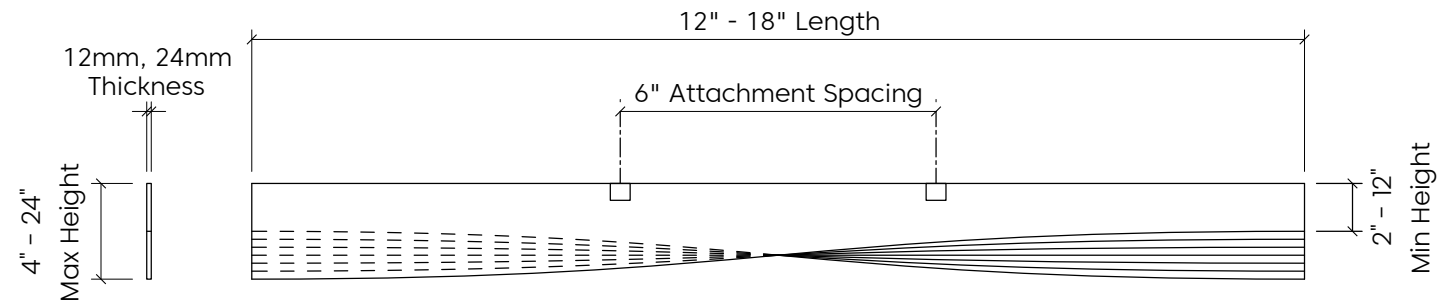
Module Size

Module Quantity

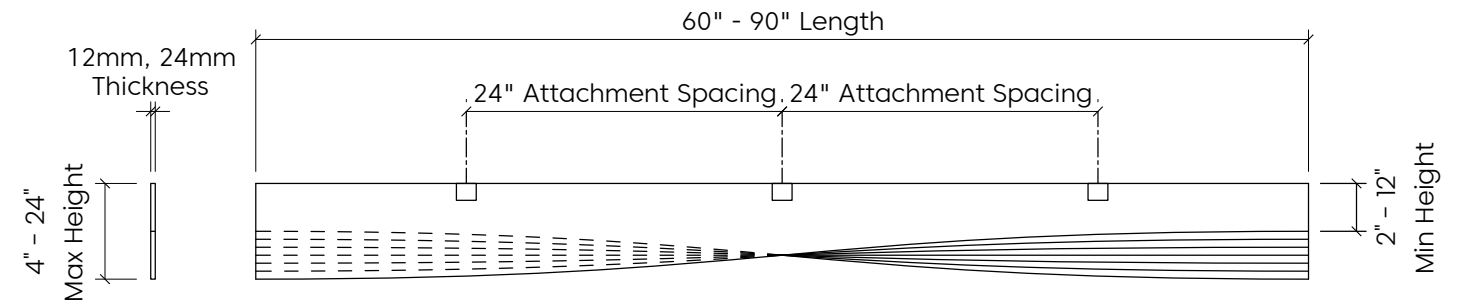
Mounting Methods

Color

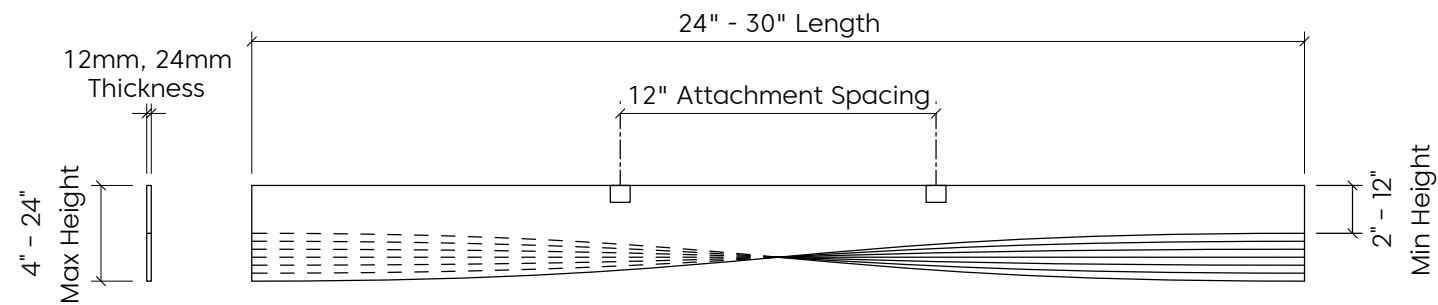
Elevation



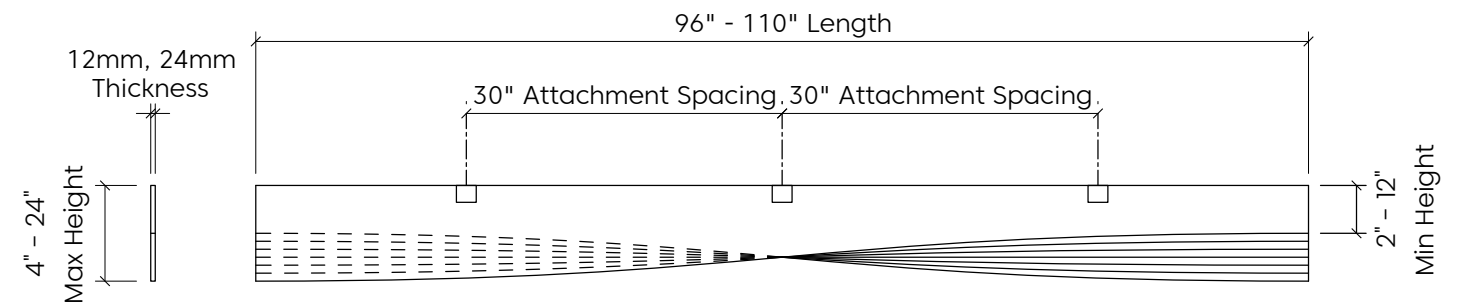
Elevation



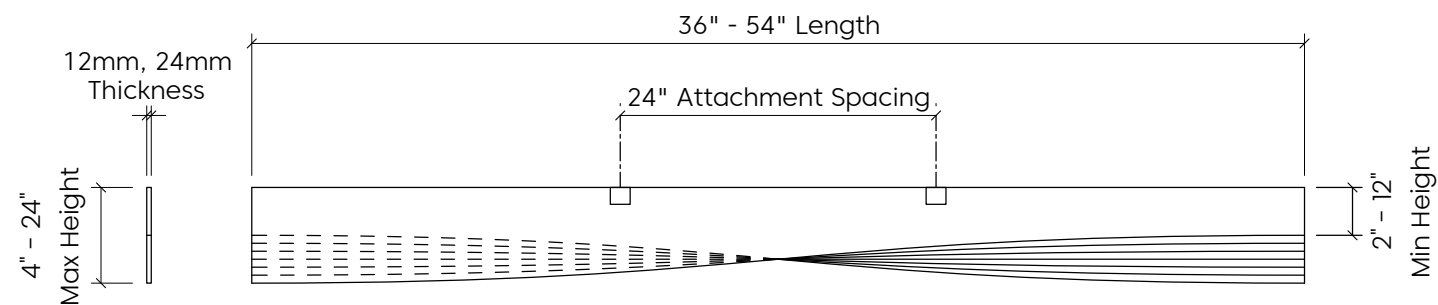
Elevation



Elevation



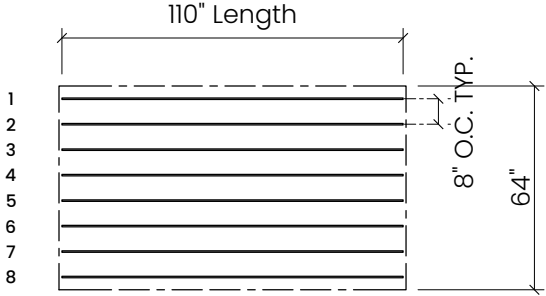
Elevation



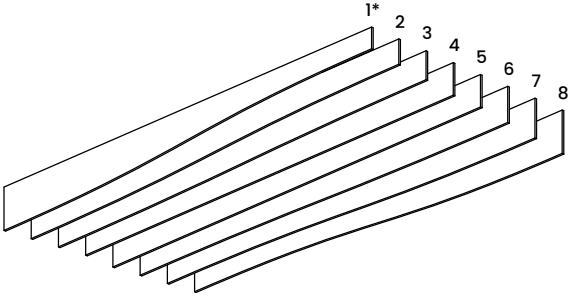
12mm & 24mm Single Module

Module Size ▶ **Module Quantity** ▶ Mounting Methods ▶ Color

Plan



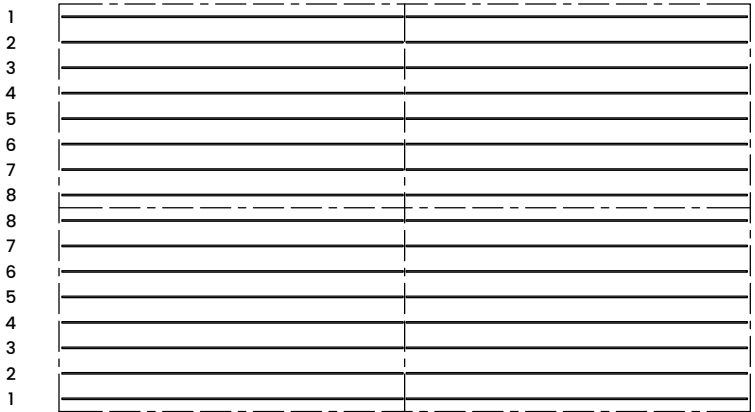
Perspective



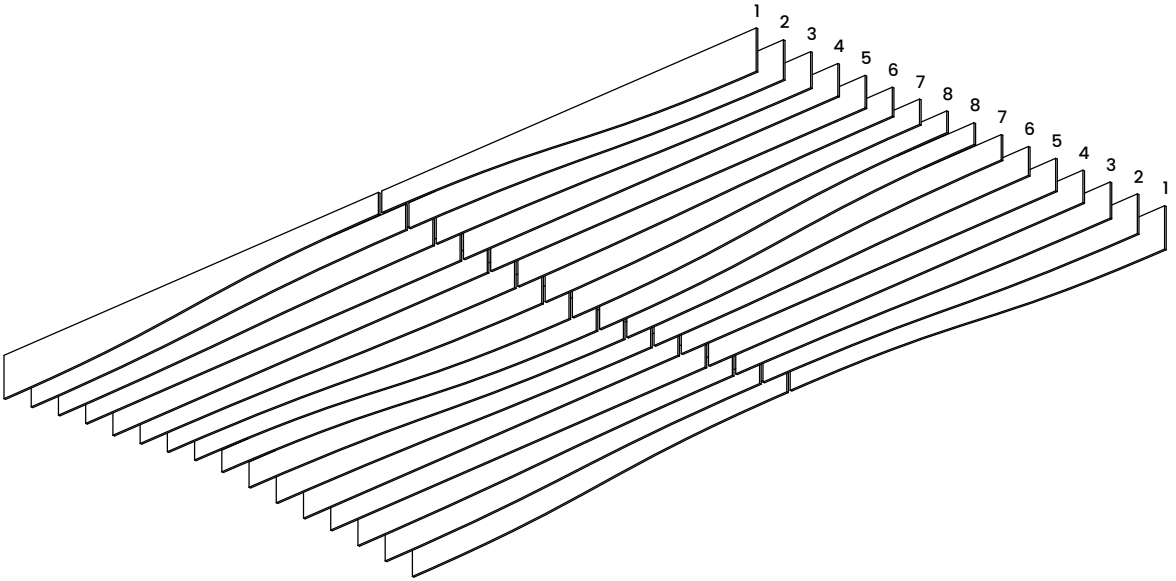
* Baffle sequence.

12mm & 24mm Multiple Modules

Plan

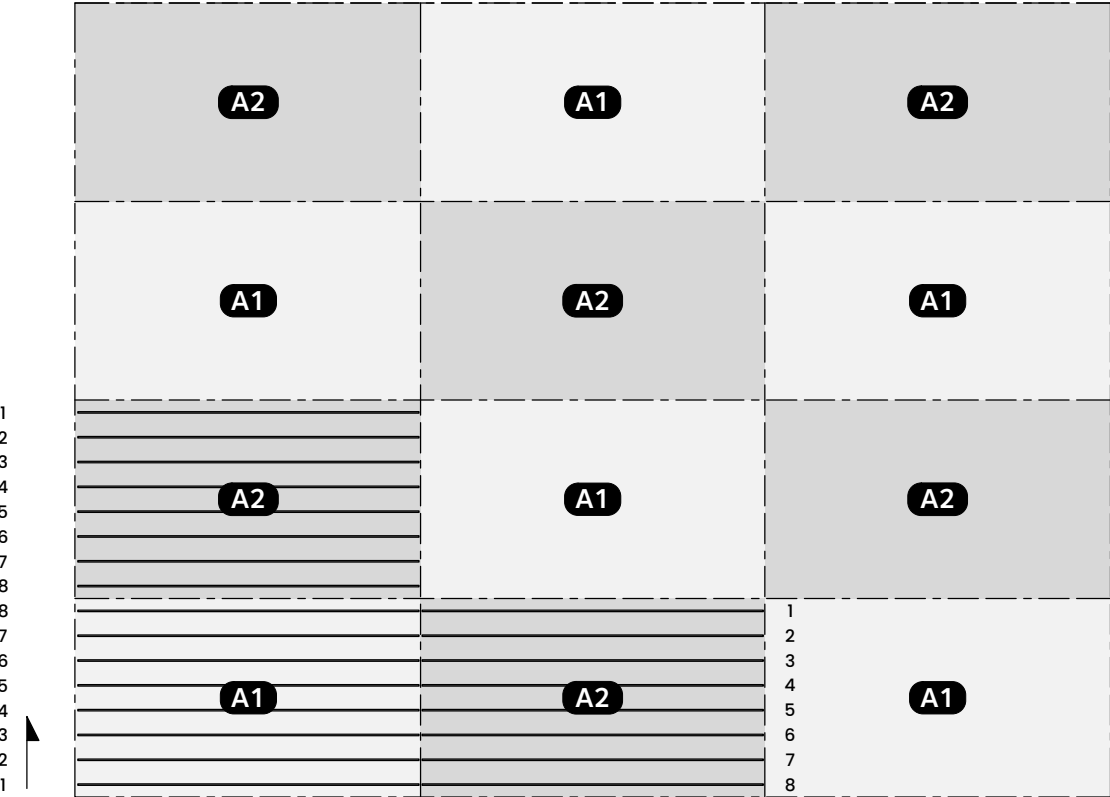


Perspective



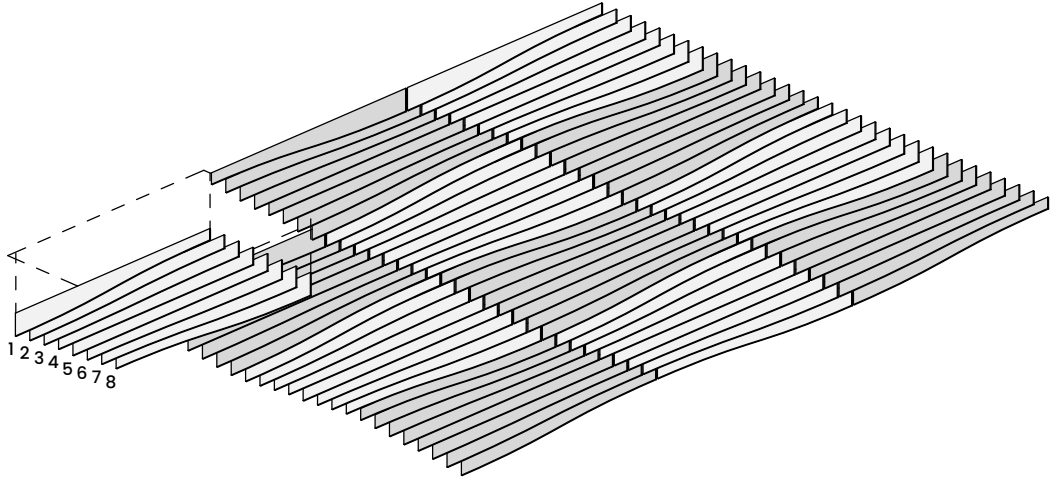
12mm & 24mm Layout Guide

Standard Layout



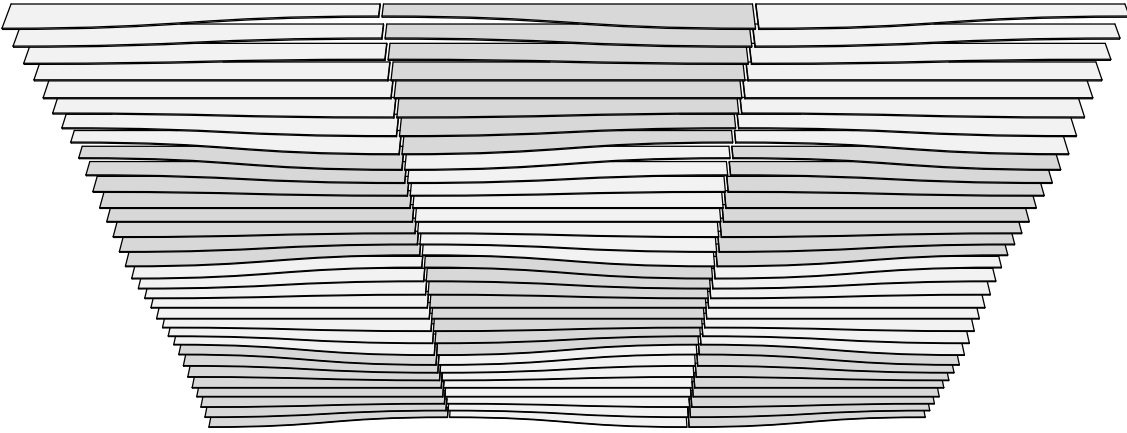
* Refer to pg. 4 for baffle design.

Perspective

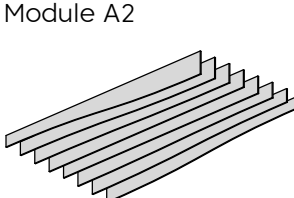
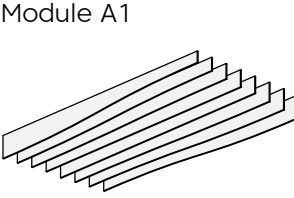


*Colors shown on this page are for color coding only. Refer to pg. 11 for felt colorways.

Front Perspective



Module Perspective



Mounting Methods

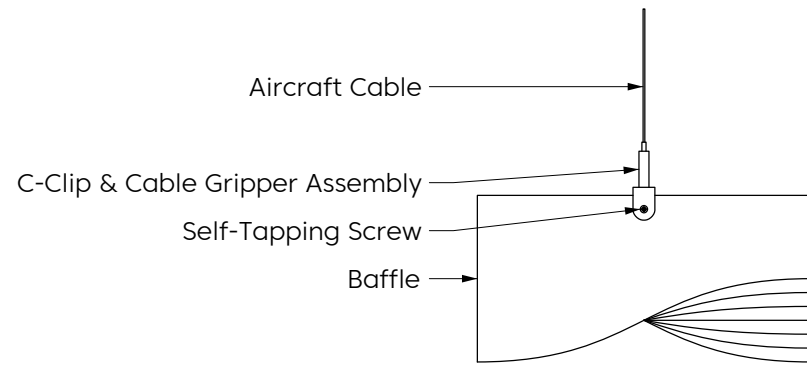
Module Size

Module Quantity

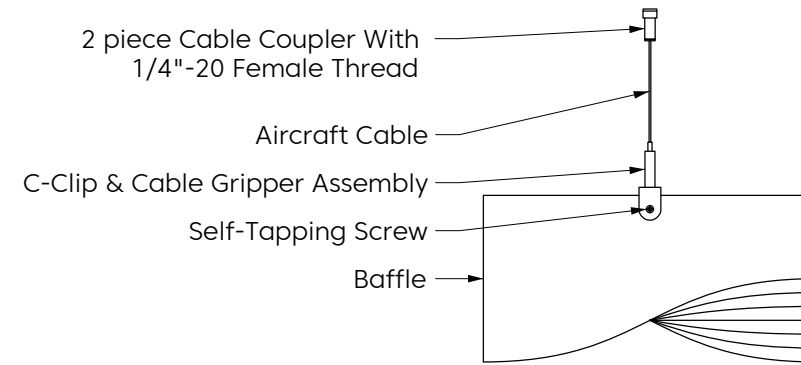
Mounting Methods

Color

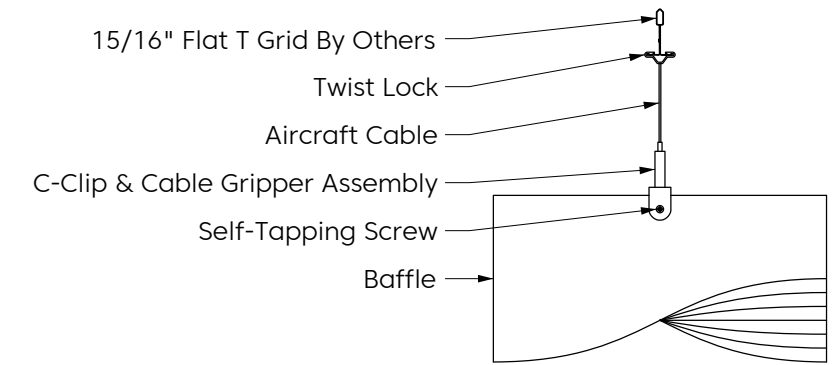
Cable



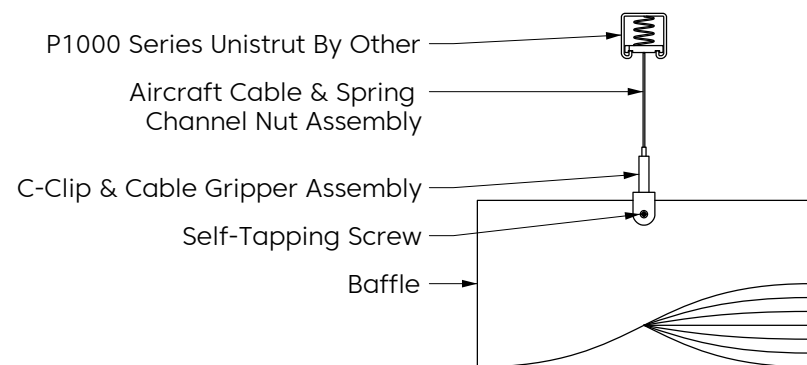
Cable To Deck



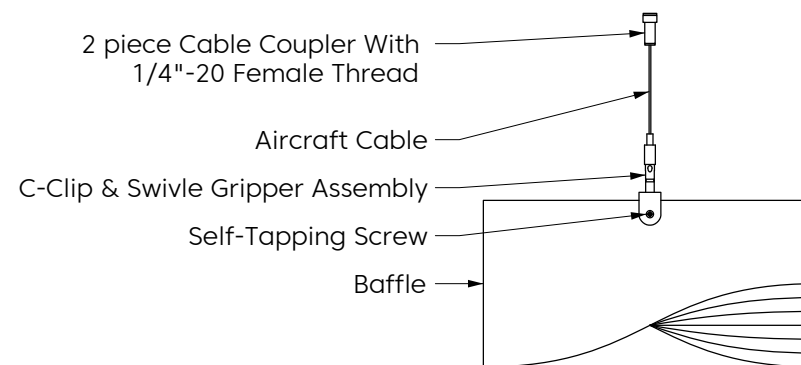
Cable To T Grid



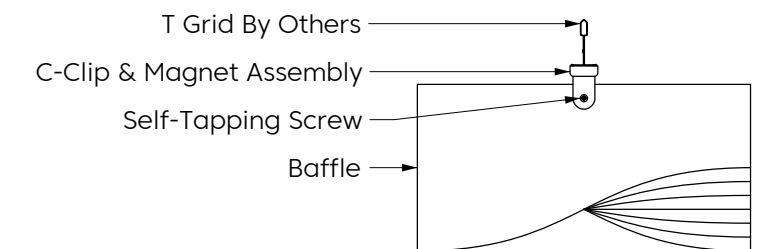
Cable To Unistrut



Swivel Cable To Deck



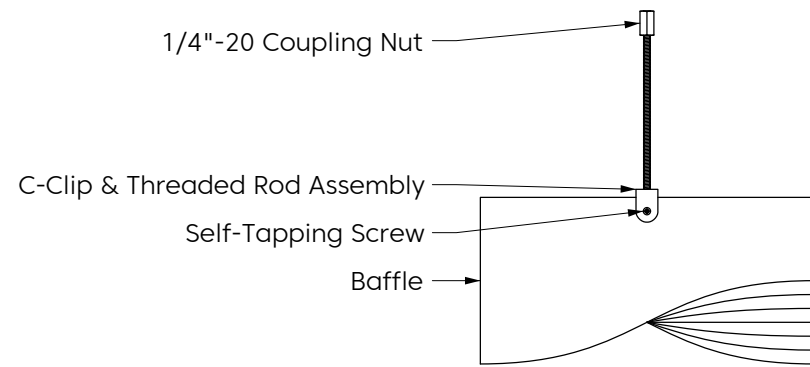
Magnet To T Grid



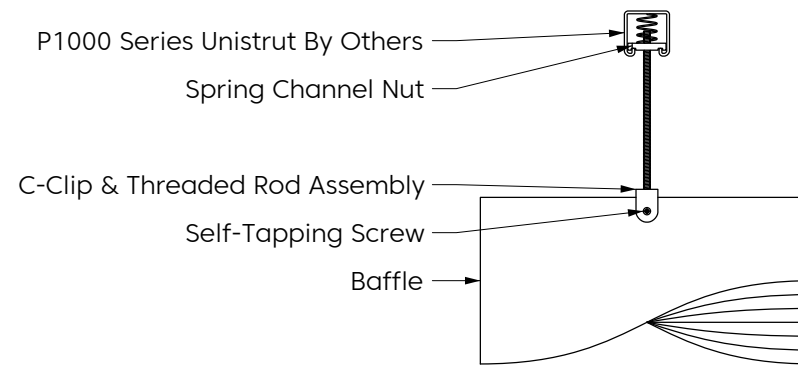
Mounting Methods



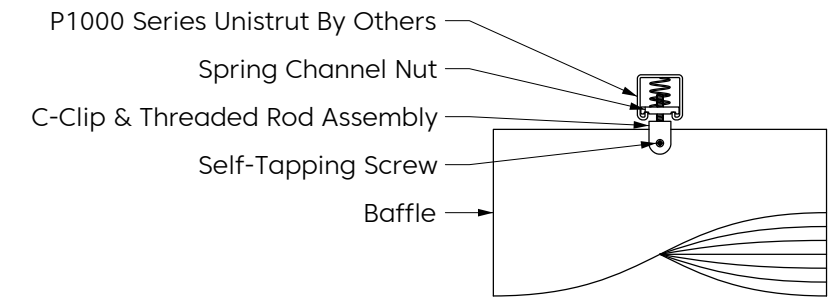
Threaded Rod



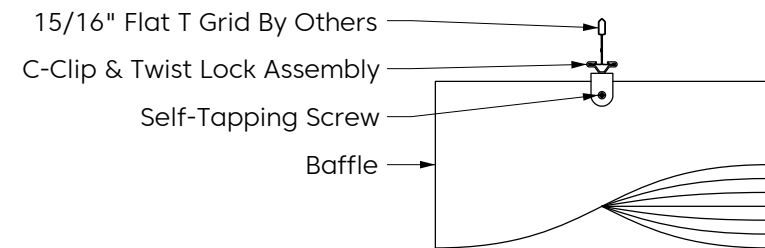
Threaded Rod To Unistrut



Direct To Unistrut



Twist Lock To T Grid



Colorways Example



Color
Color Code

Sea Salt
SE57

Go To Colorway