



# QuietForm Wall Panels

Premier Collection

The QuietForm™ panel is a thermal molded acoustics product, designed for a three-dimensional wall finish with transformative soundscaping functionality. Drawing inspiration from the captivating essence of timeless architecture, our QuietForm patterns pay homage to the grandeur of history's most iconic structures.

## Specifications

<b>Surface</b>	Wall
<b>Material</b>	Filasorb™ polyester felt
<b>Thickness</b>	1/2", 12mm (±10%) with depth to 3/8", 9.7mm
<b>Weight</b>	0.49 lb./ft <sup>2</sup> (±10%)
<b>Standard Sizes</b>	47.24" W x 110.23" H



QuietForm Wall Panel in Eucalyptus

## Technical

<b>NRC Rating</b>	0.45, no air gap 0.60, 20mm air gap 0.75, 50mm air gap
<b>Fire Test</b>	ASTM E84, Class A Flame spread index: 15 Smoke developed index: 200
<b>Colorfastness</b>	ISO 105-B02, 6-7

## Details

<b>Lead Time</b>	3 – 6 weeks
<b>Origin</b>	Manufactured and assembled in the US
<b>Warranty</b>	Product: 20 years* Colorfastness: 20 years*

\* Conditions apply

## Environmental

<b>Recycled Content</b>	Minimum 60%
<b>Energy</b>	Generated using 40% solar energy
<b>Indoor Air Quality</b>	VOC less than/equal to 0.5mg/m3
<b>Recyclable</b>	100%*
<b>Certifications</b>	Declare Certification - LBC Red List Free (third-party verified) SCS Global Indoor Advantage Gold

\* PET is recyclable through participating partners.



# Colorways

## PREMIER

							
White WH12	Almond AL55	Pistachio PI25	Celery CE65	Metal ME03	Flamingo FL61	Quartz QU67	Turmeric TU60
							
Platinum PL04	Pearl PE21	Eucalyptus EU71	Sencha SE58	Periwinkle PE23	Amethyst AM69	Valentine VA70	Wheat WH68
							
Grey GR02	Ivory IV11	Wasabi WA29	Sea Salt SE57	Marine MA15	Lilac LI13	Peach PE19	Popcorn PO26
							
Slate SL27	Umber UM54	Thistle TH28	Peacock PE20	Iris IR10	Berry BE06	Peppercorn PE22	Carrot CA08
							
Charcoal CH01	Walnut WA56	Oregano OR18	Azure AZ05	Granite GR62	Flint FL64	Shiraz SH63	Currant CU59
							
Piano Black PI24	Midnight MI16	Kale KA12	Denim DE09				

Order samples at [acoufelt.com/colorways](https://acoufelt.com/colorways)

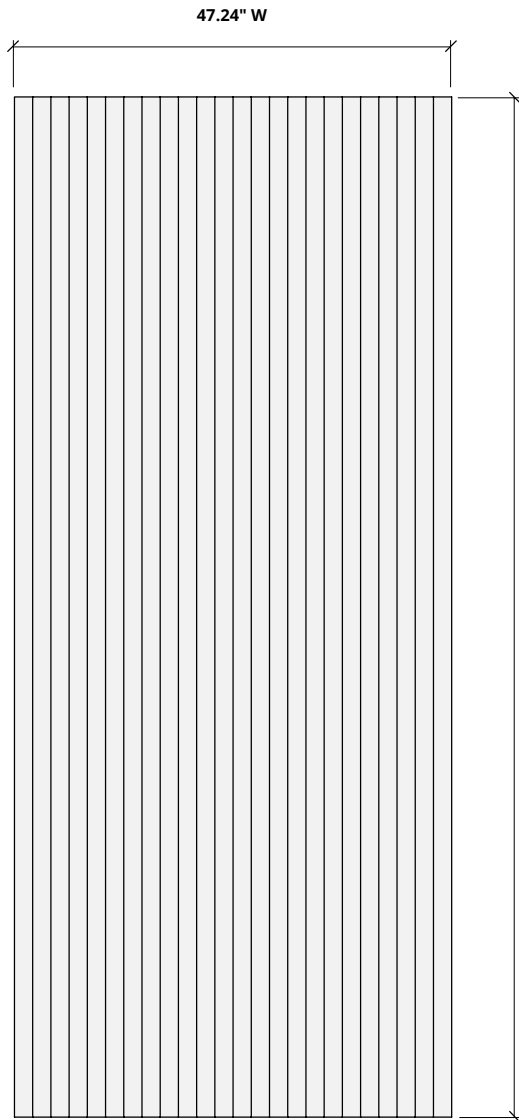


Call 800.966.8557 with questions or visit [acoufelt.com](https://acoufelt.com) for more product information, downloads, and colorways.

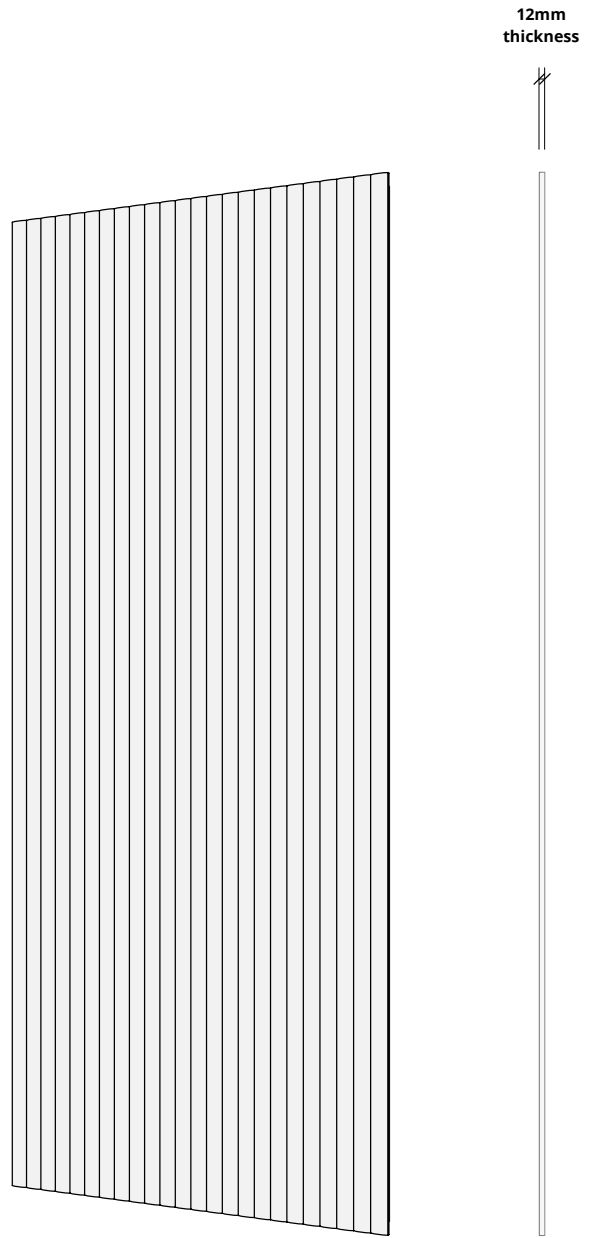
# Sizes

<b>Standard Sizes</b>	47.24" W x 110.23" H
<b>Thickness</b>	1/2", 12mm (±10%) with depth to 3/8", 9.7mm

**Plan**

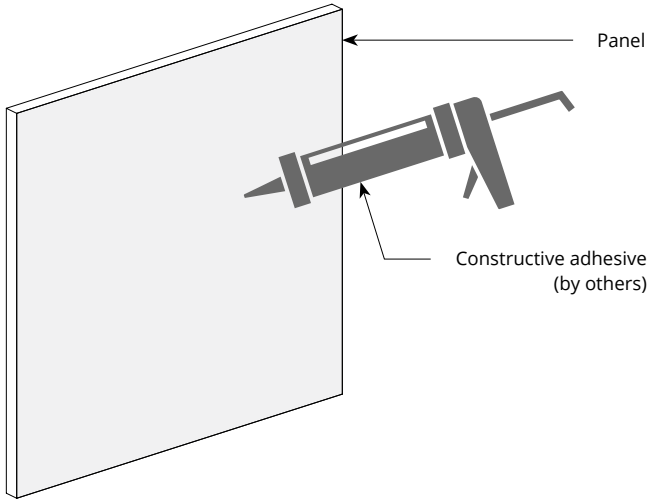


**Perspective**



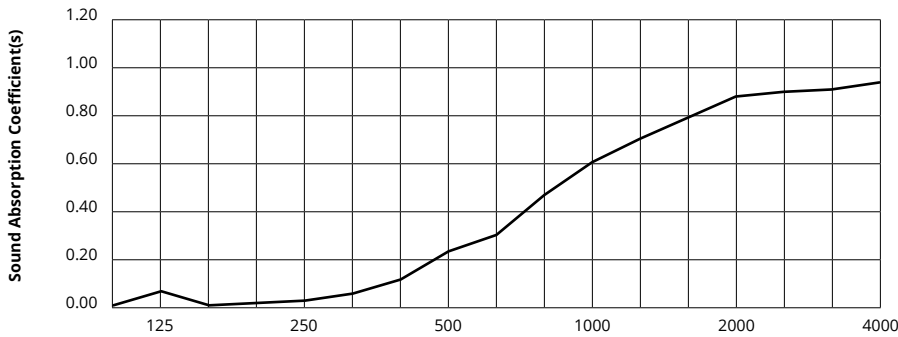
# Mounting Methods

## Construction adhesive



# Acoustic Performance

<b>Test Method</b>	ISO 354-2006
<b>Install Method</b>	A
<b>Rating Method</b>	ISO 11654-2002
<b>Test Results</b>	NRC 0.45, no air gap NRC 0.60, 20mm air gap NRC 0.75, 50mm air gap SAA 0.43, no air gap SAA 0.61, 20mm air gap SAA 0.72, 50mm air gap



Frequency f (Hz)	125	250	500	1000	2000	4000	NRC
12mm	0.06	0.02	0.23	0.61	0.89	0.95	0.45

## What is a Noise Reduction Coefficient (NRC)?

You'll find the NRC rating in the specifications of all of our products. This acronym stands for Noise Reduction Coefficient, and is expressed as a single number, a rating that describes the degree to which acoustic products can absorb sound.

You can use NRC values to understand the overall performance of our acoustic wall and ceiling products. The higher the NRC, the better the product is at soaking up the sound.

*Performance Indices: Noise Reduction Coefficient (NRC) results represent the absorption coefficients measured at the one third octave bands at 125, 250, 500, 1000, 2000 and 4000 Hz rounded to the nearest 0.05. Acoustic testing has been performed according to the methods mentioned above. Customization of installation of the product could alter the results. Sound Absorption Average (SAA) indicates the absorption coefficient average for the twelve one-third octave bands ranging between 200 and 2500 Hz.*