



Printed Wall Panels

Premium Collection

QuietPrint™ technology applies high-resolution patterns and textures to our smooth, sound-absorbing wall panels without compromising its acoustic properties. In addition to our library of patterns, QuietPrint is available as a custom option to soundscape your spaces using your own graphics and images.

Specifications

Surface	Wall
Material	FilaSorb™ polyester felt
Thickness	1/2", 12mm (±10%) 1", 24mm (±10%)
Weight	12mm, 0.49 lb./ft ² (±10%) 24mm, 0.98 lb./ft ² (±10%)
Standard Sizes	48" W x 108" H <i>Custom sizes available</i>



Printed Wall Panel in Fractured Chevron

Technical

NRC Rating	12mm 0.45, no air gap 24mm 0.60, no air gap
Fire Test	ASTM E84, Class A Flame spread index: 15 Smoke developed index: 200
Water Sorption	ASTM C1104-2019 (A Modified) Water sorbed by weight: 0.20% (based on a 12mm thick panel)
Colorfastness	ISO 105-B02, 6-7

Details

Lead Time	3 – 6 weeks
Origin	Manufactured and assembled in the US
Warranty	Product: 20 years* Colorfastness: 20 years*

* Conditions apply

Environmental

Recycled Content	Minimum 60%
Energy	Generated using 40% solar energy
Indoor Air Quality	VOC less than/equal to 0.5mg/m3
Recyclable	100%*
Certifications	Environmental Product Declaration Declare Certification - LBC Red List Free (third-party verified) SCS Global Indoor Advantage Gold

* PET is recyclable through participating partners.



Colorways

PRINTED



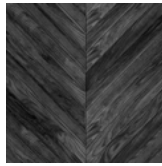
Aesthetic
Papercrush Crepe
QP01



Aesthetic
Papercrush Tissue
QP02



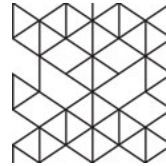
Chevron
Fractured Large
QP04



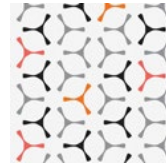
Chevron Timber
Black
QP07



Chevron Timber
Whitewashed
QP09



Geometric Break
Large
QP10



Geometric
Pinwheels Large
QP13



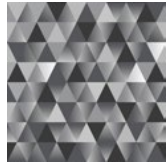
Geometric
Polygon Slate
QP16



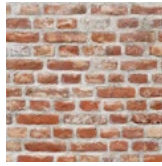
Geometric Super
Stripe Large
QP17



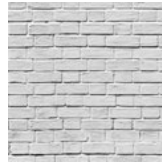
Geometric
Triangles Bronze
QP20



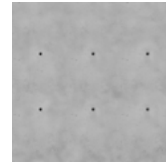
Geometric
Triangles Slate
QP21



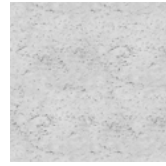
Masonry Brick
Rustic Red
QP22



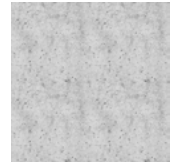
Masonry Brick
White
QP23



Masonry Concrete
Crater
QP24



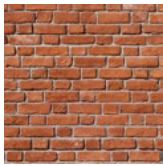
Masonry Concrete
Speckled
QP27



Masonry Concrete
Splintered
QP28



Masonry
Concrete Stained
QP29



Masonry
Red Brick
QP30



Plywood
QP31

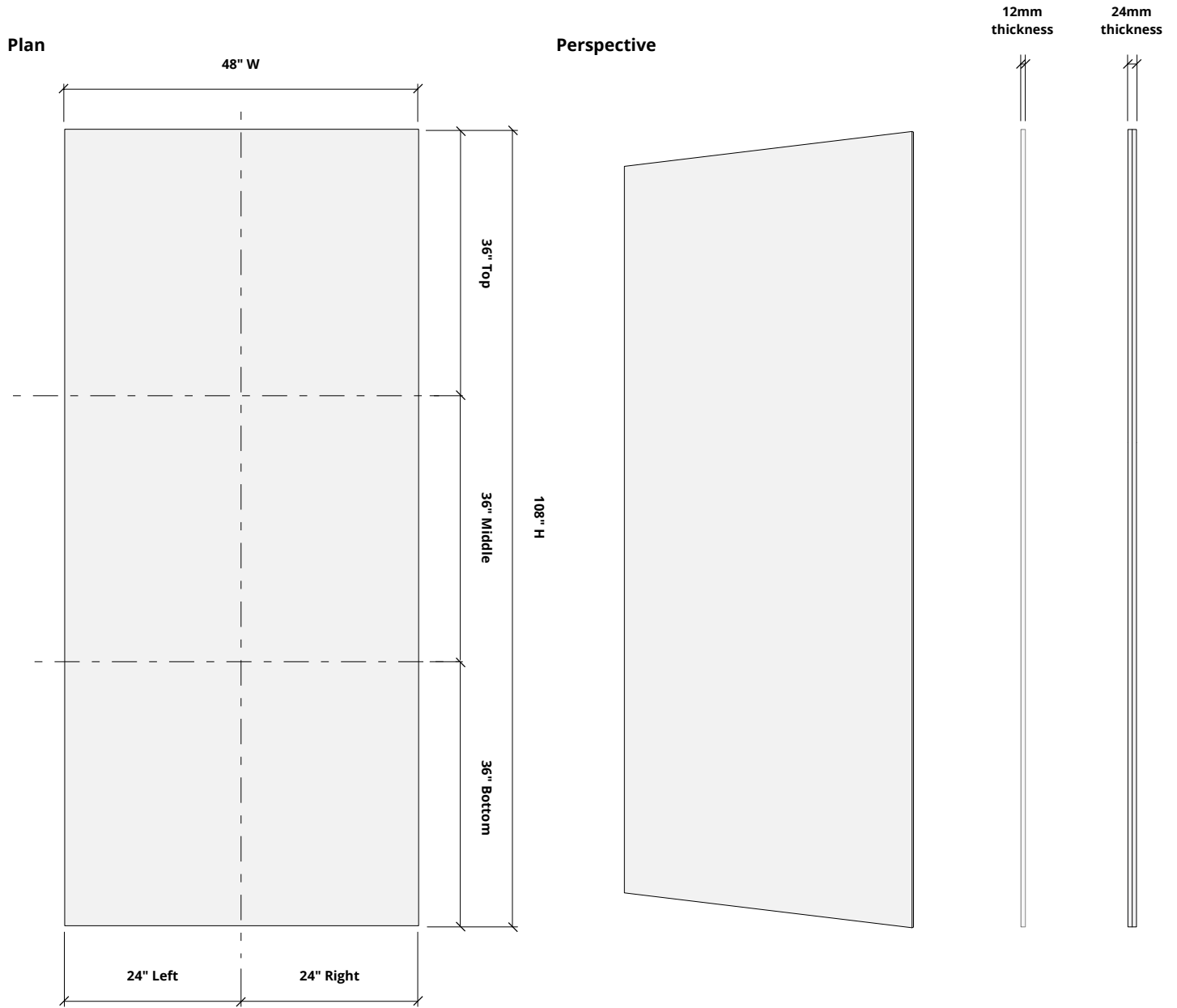


Spherical Wave
Large
QP32

Order samples at acoufelt.com/colorways

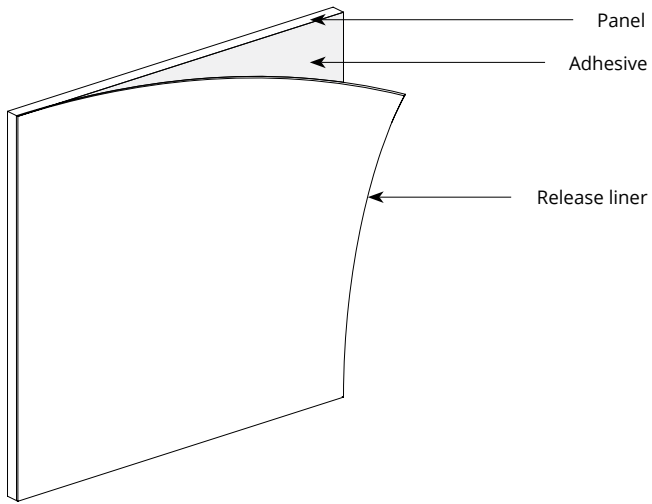
Sizes

Standard Sizes	48" W x 108" H <i>Custom sizes available</i>
Thickness	1/2", 12mm ($\pm 10\%$) 1", 24mm ($\pm 10\%$)

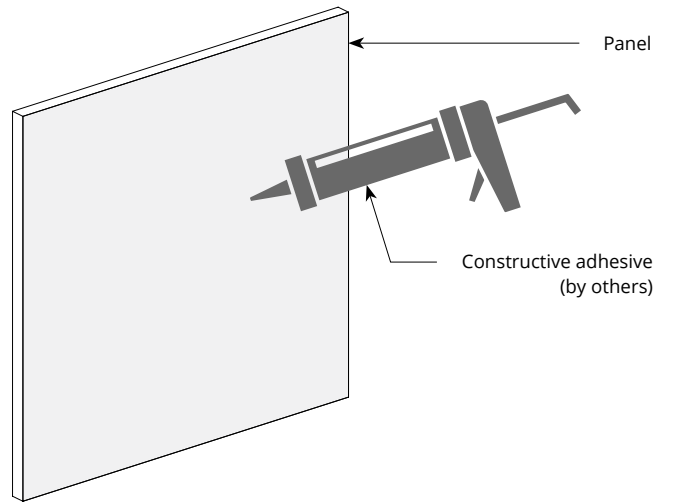


* Product available as full panels or as sections of a panel as filler pieces.
Choose any of the standard height or segments (i.e. bottom right, middle left, etc) to fill the space as needed.

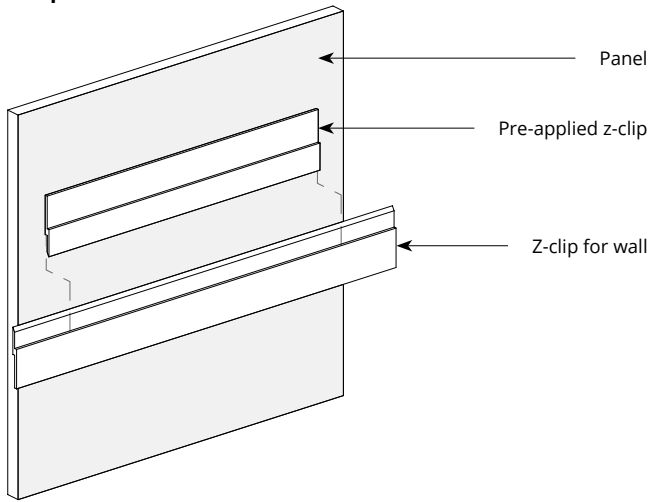
Adhesive backing



Construction adhesive



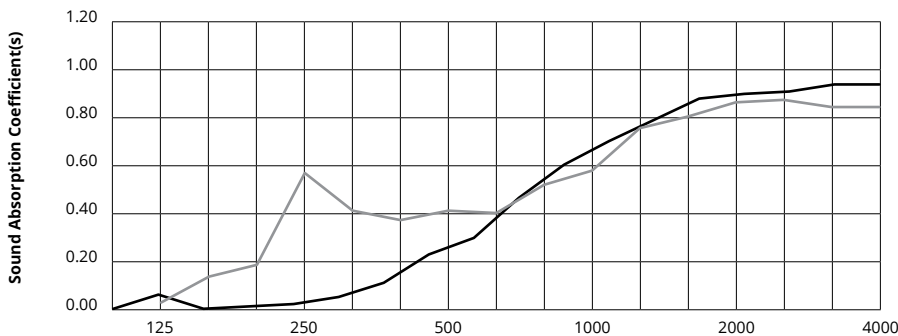
Z-clip wall mount



**For wall mount applications only.*

Acoustic Performance

Test Method	12mm ASTM C423-09a 24mm ASTM C423-17
Install Method	A
Rating Method	ISO 11654-2002
Test Results	12mm NRC 0.45, no air gap 24mm NRC 0.60, no air gap



	Frequency f (Hz)	125	250	500	1000	2000	4000	NRC
	12mm	0.06	0.02	0.23	0.61	0.89	0.95	0.45
	24mm	0.02	0.57	0.41	0.58	0.87	0.85	0.60

What is a Noise Reduction Coefficient (NRC)?

You'll find the NRC rating in the specifications of all of our products. This acronym stands for Noise Reduction Coefficient, and is expressed as a single number, a rating that describes the degree to which acoustic products can absorb sound.

You can use NRC values to understand the overall performance of our acoustic wall and ceiling products. The higher the NRC, the better the product is at soaking up the sound.

Performance Indices: Noise Reduction Coefficient (NRC) results represent the absorption coefficients measured at the one third octave bands at 125, 250, 500, 1000, 2000 and 4000 Hz rounded to the nearest 0.05. Acoustic testing has been performed according to the methods mentioned above. Customization of installation of the product could alter the results. Sound Absorption Average (SAA) indicates the absorption coefficient average for the twelve one-third octave bands ranging between 200 and 2500 Hz.