



Solid Ceiling Panels

Premier Collection

Acoustic ceiling panels are a great tool for stopping sound reverberation in a whole room or in targeted areas within a large space. Place them over performance areas, meeting areas, anywhere crowds gather to quiet sound levels over the entire space.

Specifications

Surface	Ceiling
Material	FilaSorb™ polyester felt
Thickness	2mm (±10%) 7mm (±10%) 9mm (±10%) 12mm (±10%) 24mm (±10%) 25mm (±10%) 50mm (±10%)
Weight	2mm, 0.082 lb./ft ² (±10%) 7mm, 0.29 lb./ft ² (±10%) 9mm, 0.37 lb./ft ² (±10%) 12mm, 0.49 lb./ft ² (±10%) 24mm, 0.98 lb./ft ² (±10%) 25mm, 0.80 lb./ft ² (±10%) 50mm, 0.92 lb./ft ² (±10%)
Standard Sizes	Width: 12" up to 48" W (6" increments) Height: 12" up to 108" H (6" increments), 110" H



Solid Ceiling Panel in Piano Black

Technical

NRC Rating	2mm: Testing in progress 7mm: 0.25 9mm: 0.30 12mm: 0.45 24mm: 0.60 25mm: 0.75 50mm: 0.90
Fire Test	ASTM E84, Class A Flame spread index: 15 Smoke developed index: 200
Colorfastness	ISO 105-B02, 6-7

Details

Lead Time	3 – 6 weeks
Origin	Manufactured and assembled in the US
Warranty	Product: 20 years* Colorfastness: 20 years*

* Conditions apply

Environmental

Recycled Content	Minimum 60%
Energy	Generated using 40% solar energy
Indoor Air Quality	VOC less than/equal to 0.5mg/m3
Recyclable	100%*
Certifications	Environmental Product Declaration Declare Certification - LBC Red List Free (third-party verified) SCS Global Indoor Advantage Gold

* PET is recyclable through participating partners.



Colorways

PREMIER

							
White WH12	Almond AL55	Pistachio PI25	Celery CE65	Metal ME03	Flamingo FL61	Quartz QU67	Turmeric TU60
							
Platinum PL04	Pearl PE21	Eucalyptus EU71	Sencha SE58	Periwinkle PE23	Amethyst AM69	Valentine VA70	Wheat WH68
							
Grey GR02	Ivory IV11	Wasabi WA29	Sea Salt SE57	Marine MA15	Lilac LI13	Peach PE19	Popcorn PO26
							
Slate SL27	Umber UM54	Thistle TH28	Peacock PE20	Iris IR10	Berry BE06	Peppercorn PE22	Carrot CA08
							
Charcoal CH01	Walnut WA56	Oregano OR18	Azure AZ05	Granite GR62	Flint FL64	Shiraz SH63	Currant CU59
							
Piano Black PI24	Midnight MI16	Kale KA12	Denim DE09				

Order samples at acoufelt.com/colorways

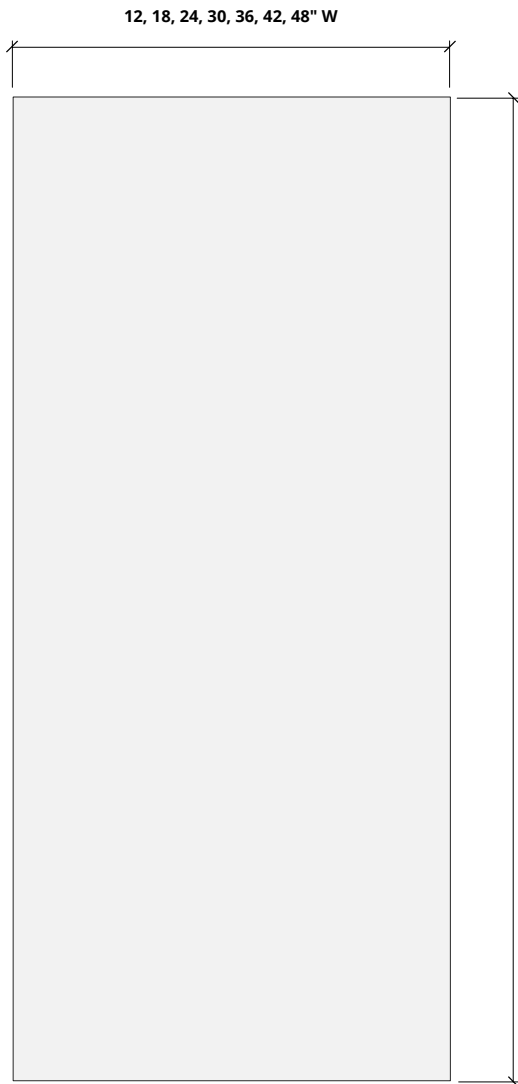


Call 800.966.8557 with questions or visit acoufelt.com for more product information, downloads, and colorways.

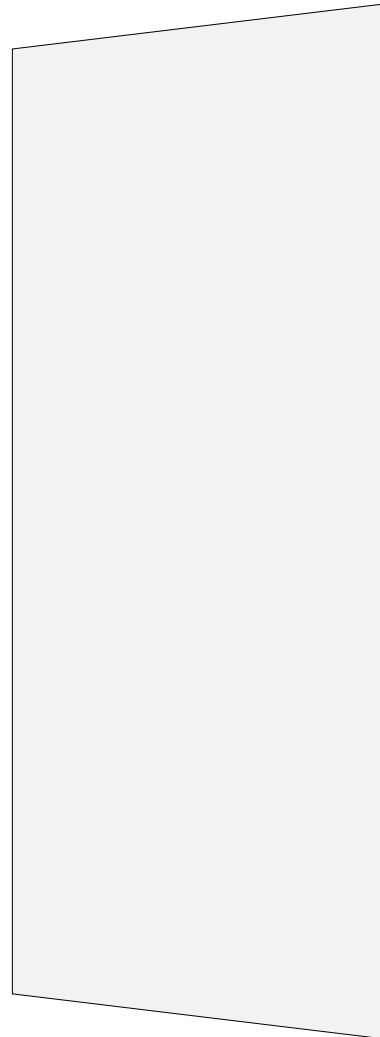
Sizes

Standard Sizes	12" up to 48" W (6" increments) 12" up to 108" H (6" increments), 110" H
Thickness	1/2", 12mm (±10%)

Plan



Perspective

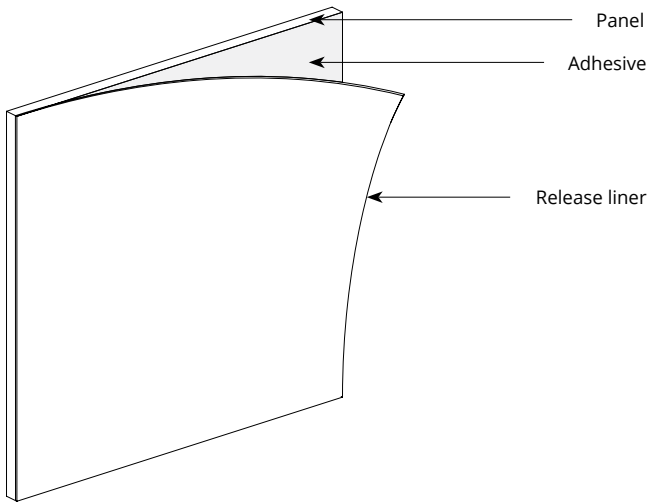


12mm thickness

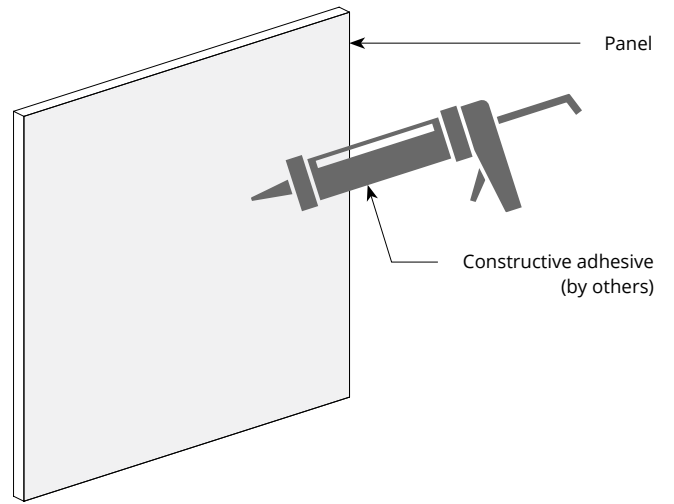


Mounting Methods

Adhesive backing



Construction adhesive



Acoustic Performance

Test Method 7, 9, 24, 25mm

ASTM E795-16

12mm

ASTM C423-09a

Install Method A

Rating Method ISO 11654-2002

Test Results 2mm: Product acoustic testing in progress

7mm: 0.25, no air gap

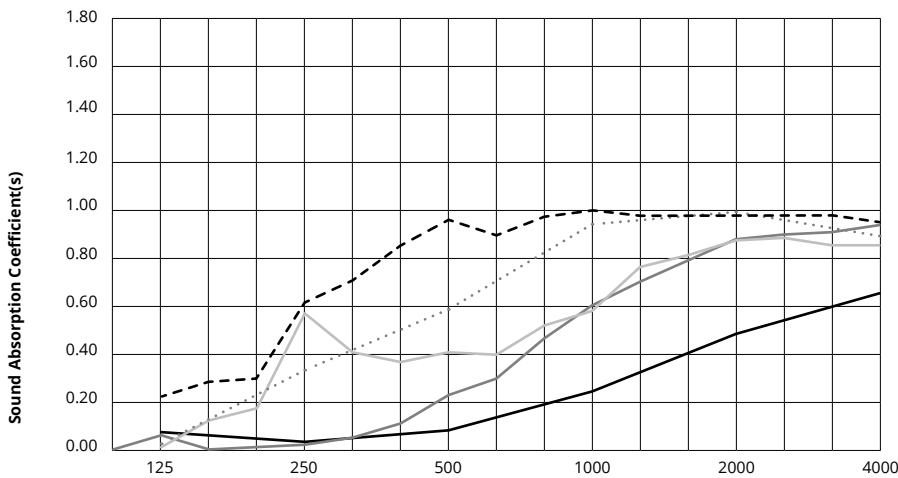
9mm: 0.30, no air gap

12mm: 0.45, no air gap

24mm: 0.60, no air gap

25mm: 0.75, no air gap

50mm: 0.90, no air gap



	Frequency f (Hz)	125	250	500	1000	2000	4000	NRC
	2mm	Product acoustic testing in progress						NA
	7mm	0.06	0.02	0.08	0.28	0.57	0.78	0.25
	9mm	-	-	-	-	-	-	0.30
	12mm	0.06	0.02	0.23	0.61	0.89	0.95	0.45
	24mm	0.02	0.57	0.41	0.58	0.87	0.85	0.60
	25mm	0.08	0.27	0.64	1.00	0.97	0.96	0.70
	50mm	0.22	0.63	0.95	0.98	0.98	0.93	0.90

What is a Noise Reduction Coefficient (NRC)?

You'll find the NRC rating in the specifications of all of our products. This acronym stands for Noise Reduction Coefficient, and is expressed as a single number, a rating that describes the degree to which acoustic products can absorb sound.

You can use NRC values to understand the overall performance of our acoustic wall and ceiling products. The higher the NRC, the better the product is at soaking up the sound.

Performance Indices: Noise Reduction Coefficient (NRC) results represent the absorption coefficients measured at the one third octave bands at 125, 250, 500, 1000, 2000 and 4000 Hz rounded to the nearest 0.05. Acoustic testing has been performed according to the methods mentioned above. Customization of installation of the product could alter the results. Sound Absorption Average (SAA) indicates the absorption coefficient average for the twelve one-third octave bands ranging between 200 and 2500 Hz.