



Solid Panel

FilaSorb™ 25

acoufelt
making quiet

Product Detail

Product	Solid Panel
Surface	Wall or Ceiling
Composition	100% Polyester
Material	FilaSorb™
Recycled Content	60% min.
Material Thickness	25mm 0.98" +/- 10%
Weight	0.80 lb/ft ² +/- 10%
Standard Dimensions	See page 3 for size offerings. Custom size available upon request.
Lead Time	Ships in 4-6 weeks
Light Fastness Warranty	10 Years*

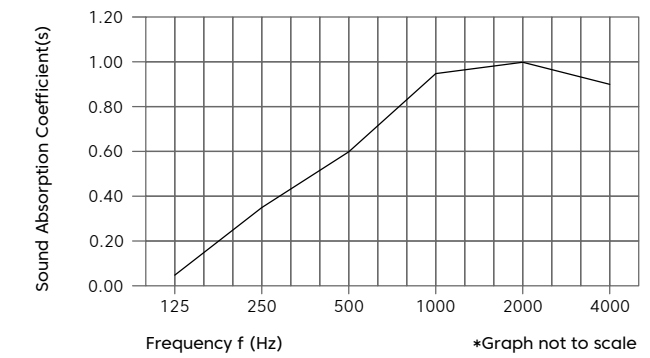
* conditions apply

Technical Data

Fire Test Method Number	AS ISO 9705:Group 1 ASTM E84-17a Class A
Indoor Air Quality	Low VOCs emission, formaldehyde and Phenol-free
Light Fastness	ISO 105-B02 1994, 6-7

Acoustic Performance

Sound Absorption ISO 354-2006 NRC 0.70 (25mm no air gap)



Frequency f(Hz)	125	250	500	1000	2000	4000	NRC
25mm α _s No Air Gap	0.08	0.27	0.64	1.00	0.97	0.96	0.70

Colorways

* Go To Colorway Page



 Manufactured & Assembled in the USA

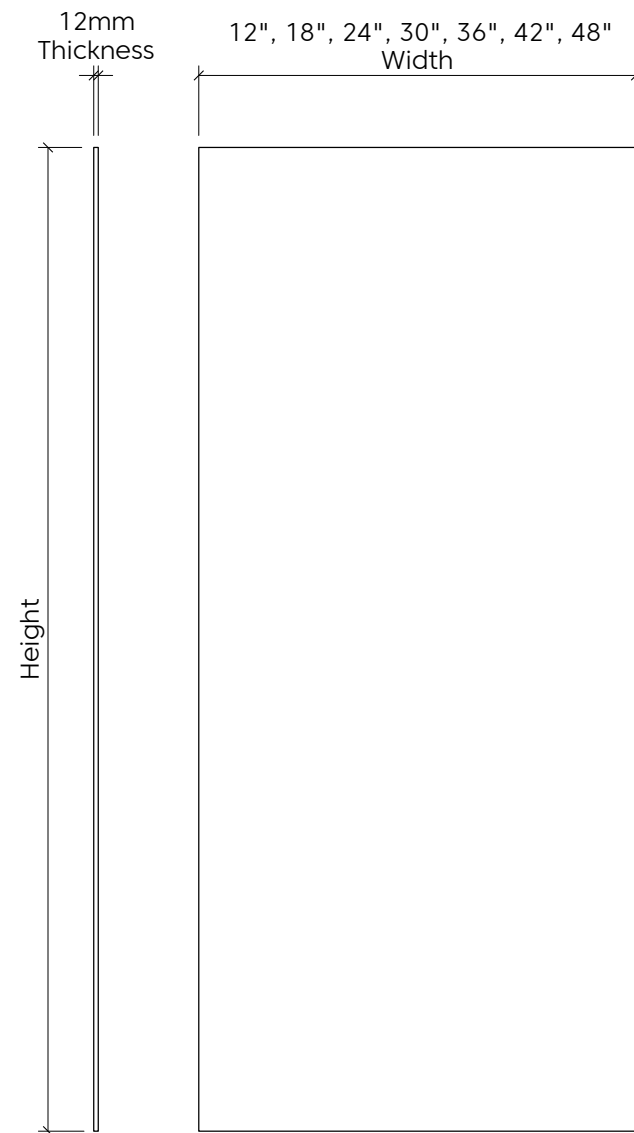
Environmental Attributes

- Declare Certification
- LBC Red List Free
- Phenol And Formaldehyde Free
- Low VOC
- CDPH Compliance
- Aligns With Building Standards



Design

Elevation



Perspective

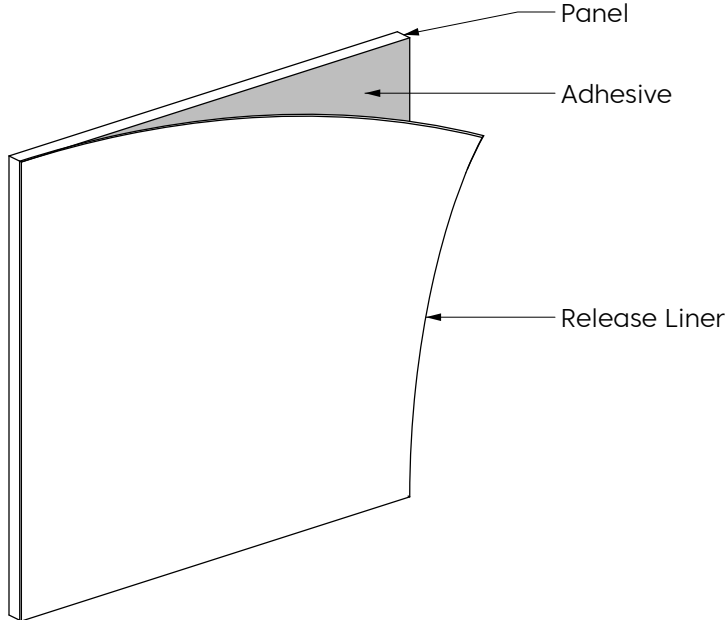


Standard Size Offerings

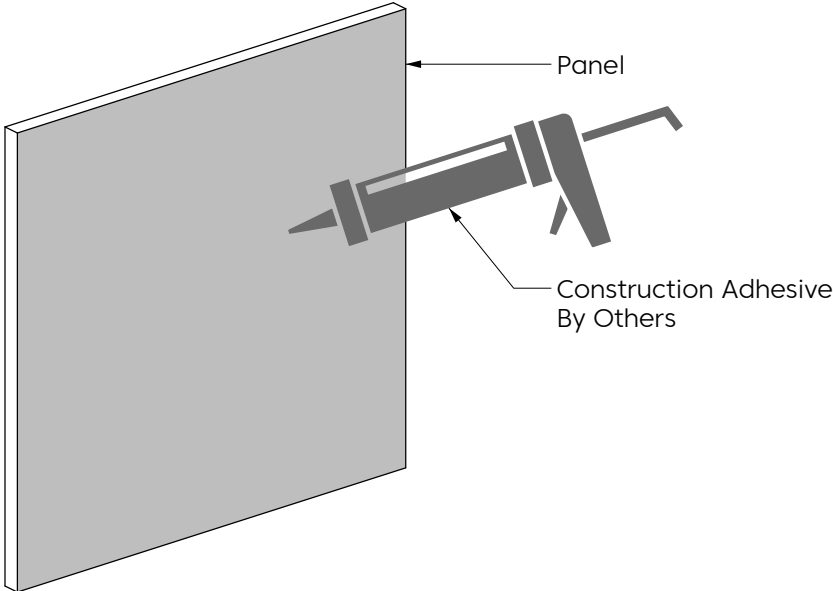
Standard Heights		
12"H	48"H	84"H
18"H	54"H	90"H
24"H	60"H	96"H
30"H	66"H	102"H
36"H	72"H	108"H
42"H	78"H	110"H

Mounting Methods

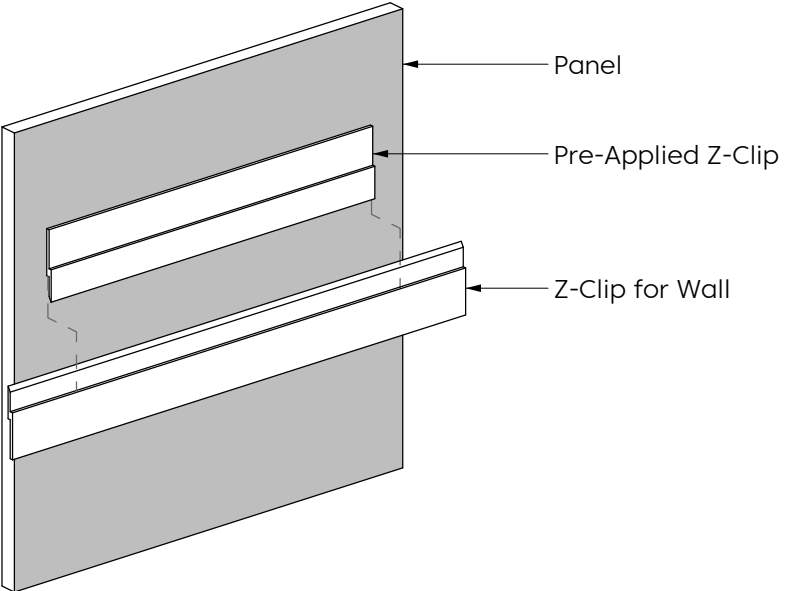
Adhesive Backing



Construction Adhesive



Z-Clip Wall Mount



*For wall mount application only