



# Truss Ceiling Baffle

WoodBeQuiet & Solids - FilaSorb™ 12

acoufelt  
making quiet

# Product Detail

Product	Truss Ceiling Baffle
Surface	Ceiling
Composition	100% Polyester
Material	FilaSorb™
Recycled Content	60% min.
Material Thickness	12mm   0.47" +/- 10%
Weight	0.49 lb/ft <sup>2</sup> +/- 10%
Standard Dimensions	See page 3 & 4 for size offerings. Custom size available upon request.
Lead Time	Ships in 4-6 weeks
Light Fastness Warranty	10 Years*

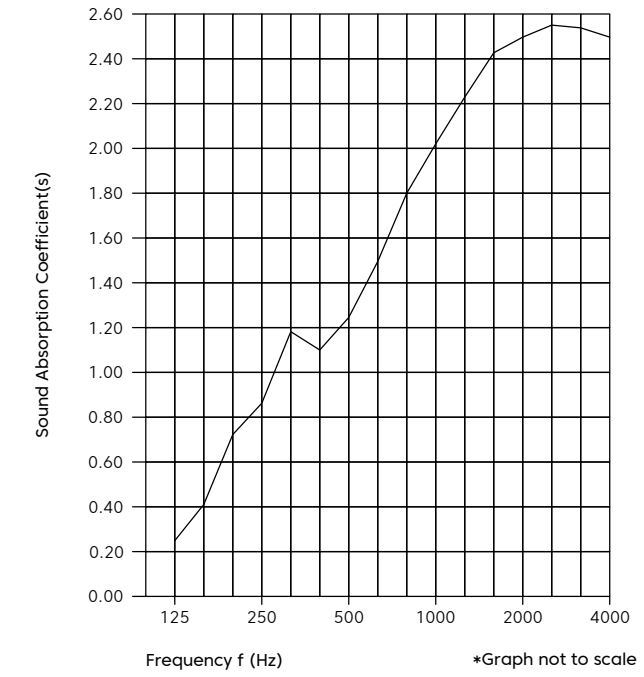
\* conditions apply

# Technical Data

Fire Test Method Number	AS ISO 9705:Group 1 ASTM E84-17a Class A
Indoor Air Quality	Low VOCs emission, formaldehyde and Phenol-free
Light Fastness	ISO 105-B02 1994, 6-7

# Acoustic Performance

Sound Absorption     ASTM C423 with an ASTM E795 type "J" Mounting  
NRC 1.65 (3"T x 12"D with 6"O.C.)



Frequency f (Hz)	125	250	500	1000	2000	4000	NRC
3" Truss Baffle	0.26	0.86	1.25	2.02	2.49	2.49	1.65

# Colorways

\* Go To Colorway Page



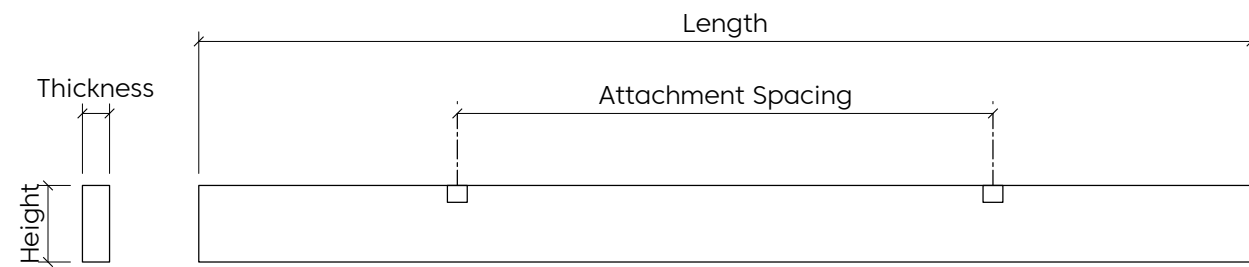
# Environmental Attributes

- Declare Certification
- LBC Red List Free
- Phenol And Formaldehyde Free
- Low VOC
- CDPH Compliance
- Aligns With Building Standards

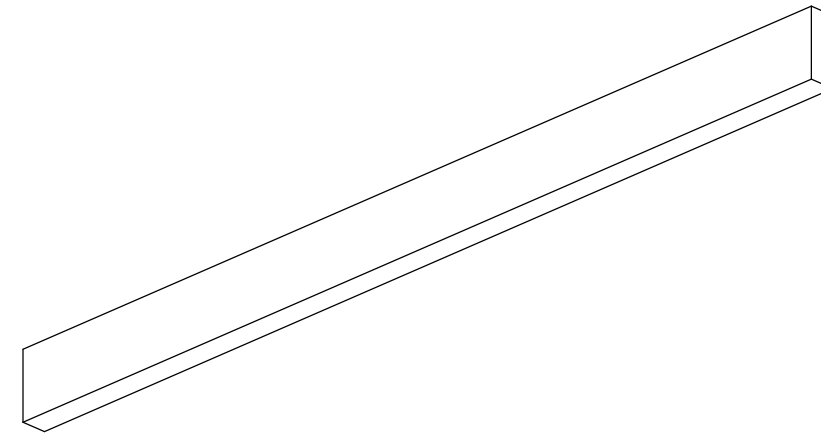


# Truss Profile

Elevation



Perspective



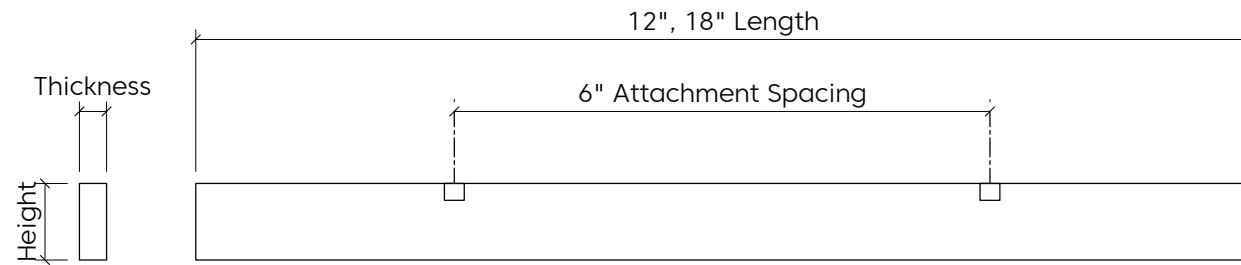
## Standard Size Offerings

Standard Heights & Thickness	3"H	4"H	5"H	6"H	7"H	8"H	9"H	10"H	11"H	12"H	13"H	14"H	15"H	16"H	17"H	18"H	19"H	20"H	
2"T	Available	Available	Available	Available	Available	Available	Available	Available	Available	Available	Available	Available	Available	Available	Available	Available	Available	Available	Available
3"T	Available	Available	Available	Available	Available	Available	Available	Available	Available	Available	Available	Available	Available	Available	Available	Available	Available	Available	Available
4"T	Available	Available	Available	Available	Available	Available	Available	Available	Available	Available	Available	Available	Available	Available	Available	Available	Available	Available	Available
5"T	Available	Available	Available	Available	Available	Available	Available	Available	Available	Available	Available	Available	Available	Available	Available	Available	Available	Available	Available
6"T	Available	Available	Available	Available	Available	Available	Available	Available	Available	Available	Available	Available	Available	Available	Available	Available	Available	Available	Available
7"T	Available	Available	Available	Available	Available	Available	Available	Available	Available	Available	Available	Available	Available	Available	Available	Available	Available	Available	Available
8"T	Available	Available	Available	Available	Available	Available	Available	Available	Available	Available	Available	Available	Available	Available	Available	Available	Available	Available	Available
9"T	Available	Available	Available	Available	Available	Available	Available	Available	Available	Available	Available	Available	Available	Available	Available	Available	Available	Available	Available
10"T	Available	Available	Available	Available	Available	Available	Available	Available	Available	Available	Available	Available	Available	Available	Available	Available	Available	Available	Available
11"T	Available	Available	Available	Available	Available	Available	Available	Available	Available	Available	Available	Available	Available	Available	Available	Available	Available	Available	Available
12"T	Available	Available	Available	Available	Available	Available	Available	Available	Available	Available	Available	Available	Available	Available	Available	Available	Available	Available	Available

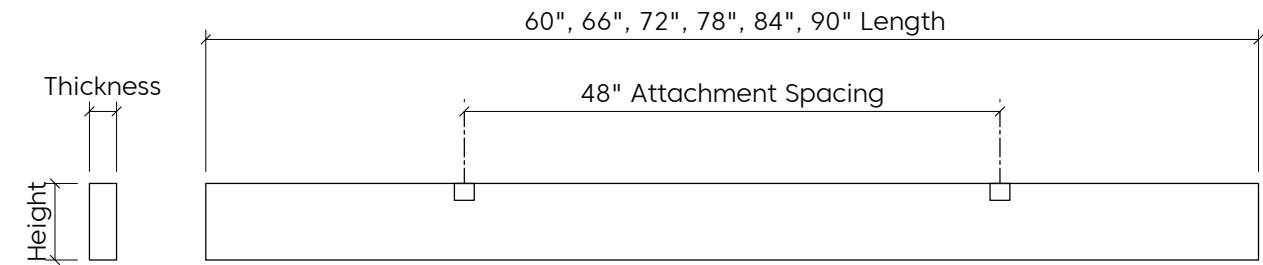
 Available Sizes

# Design

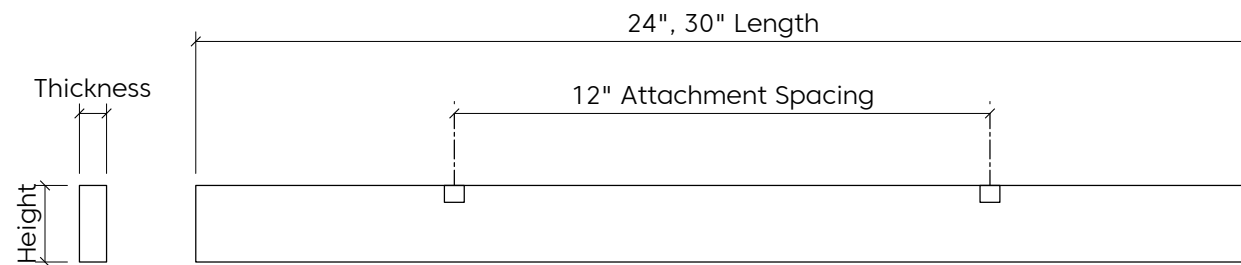
## Elevation



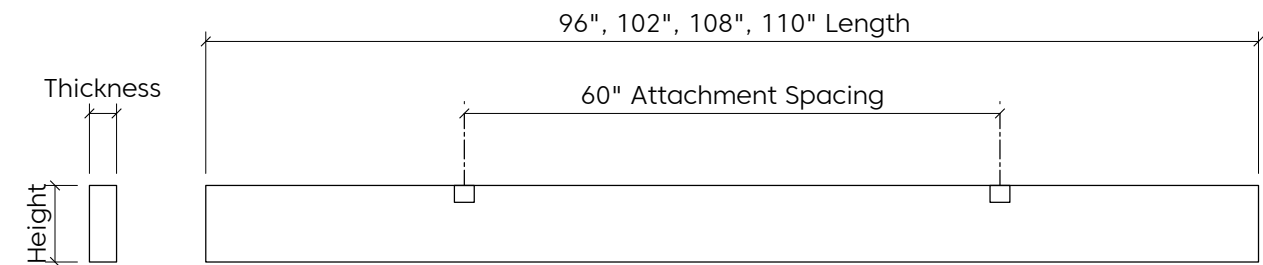
## Elevation



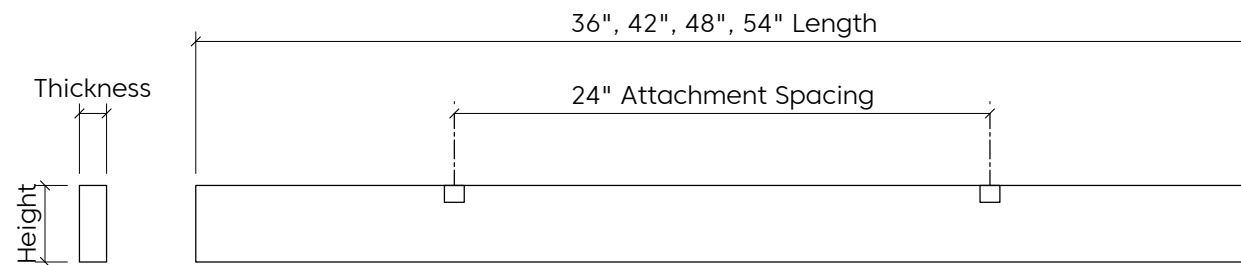
## Elevation



## Elevation

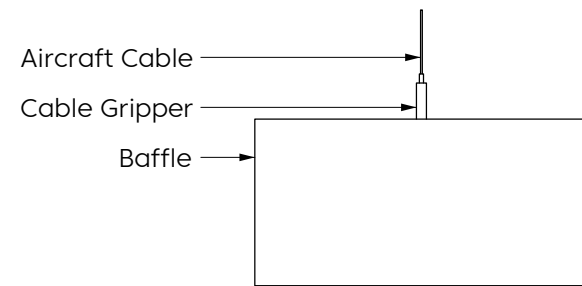


## Elevation

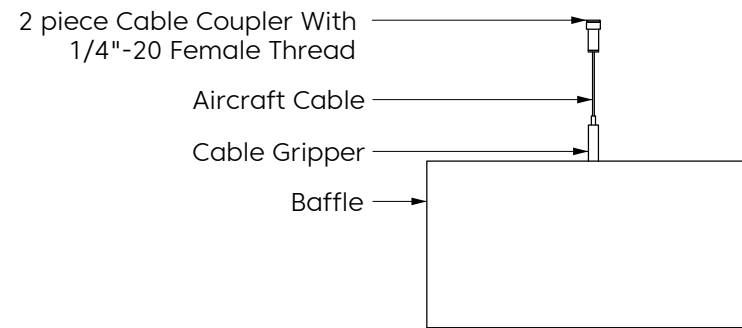


# Mounting Methods

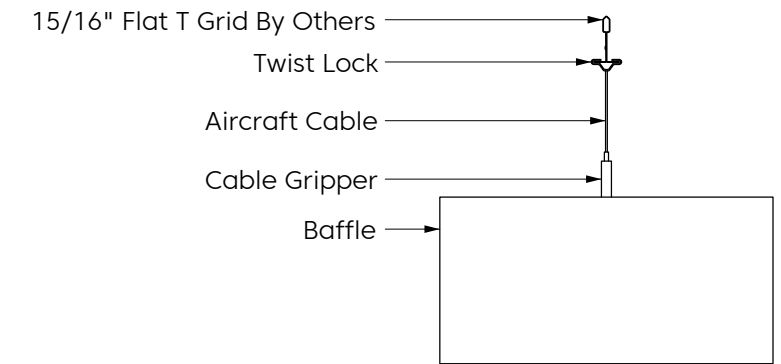
### Cable



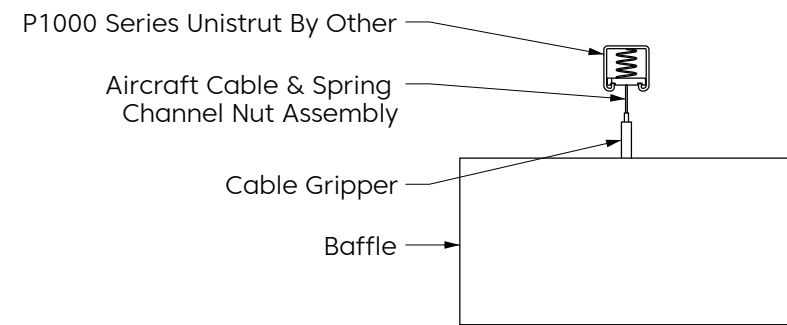
### Cable To Deck



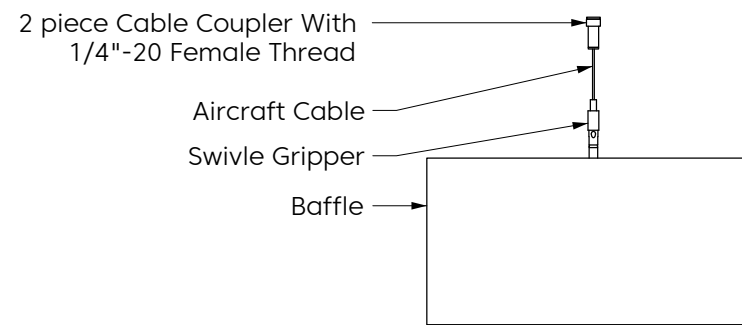
### Cable To T Grid



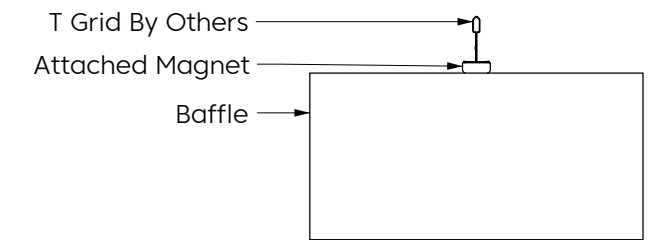
### Cable To Unistrut



### Swivel Cable To Deck

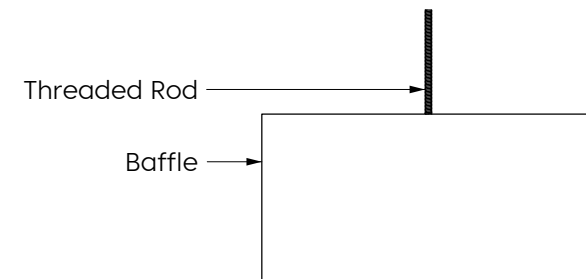


### Magnet To T Grid

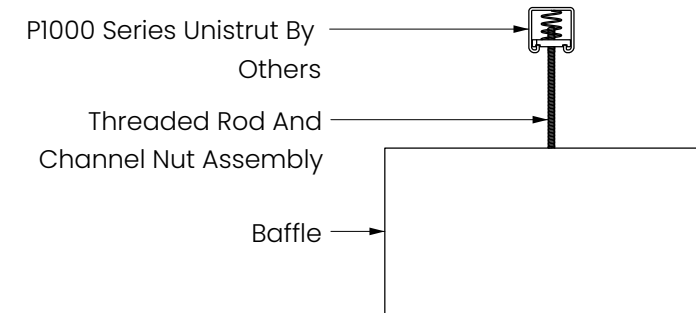


# Mounting Methods

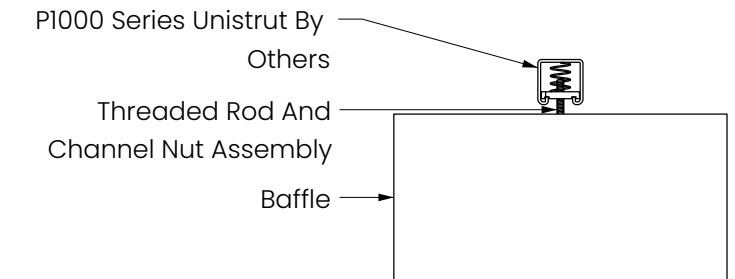
## Threaded Rod



## Threaded Rod To Unistrut



## Direct To Unistrut



## Twist Lock To T Grid

