



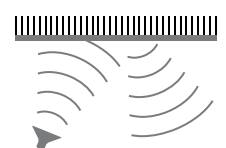
Printed Ceiling Tile

FilaSorb™ 12, FilaSorb™ 24

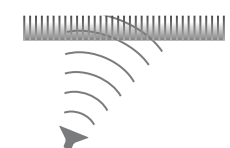
acoufelt
making quiet

Product Detail

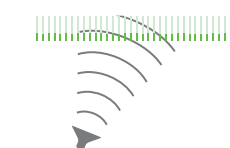
Product	Printed Ceiling Tile
Surface	Ceiling
Surface Print	QuietPrint™
Composition	100% Polyester
Material	FilaSorb™
Recycled Content	60% min.
Material Thickness	12mm 0.47" or 24mm 0.94" +/- 10%
Weight	0.49 lb/ft ² or 0.98 lb/ft ² +/- 10%
Standard Dimensions	See page 3 for size offerings. Custom size available upon request.
Lead Time	Ships in 4-6 weeks
Light Fastness Warranty	10 Years*



Some printing techniques create an impenetrable layer that reflects sound.



Some printing techniques allow the ink to 'run' into the material, resulting in a poor resolution image.



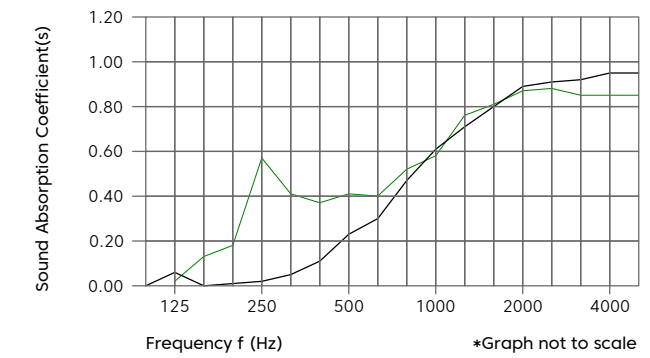
* conditions apply
Acoufelt QuietPrint™ colors the fibers with height precision, whilst ensuring air gaps remain open, absorbing sound and creating a high resolution image.

Technical Data

Fire Test Method Number	AS ISO 9705:Group 1 ASTM E84-17a Class A
Indoor Air Quality	Low VOCs emission, formaldehyde and Phenol-free
Light Fastness	ISO 105-B02 1994, 6-7

Acoustic Performance

Sound Absorption ISO 354-2006 NRC 0.45
NRC 0.60



Frequency f (Hz)	125	250	500	1000	2000	4000	NRC
12mm α_s	0.06	0.02	0.23	0.61	0.89	0.95	0.45
24mm α_s	0.02	0.57	0.41	0.58	0.87	0.85	0.60

Colorways

* Go To Colorway Page



 Manufactured & Assembled in the USA

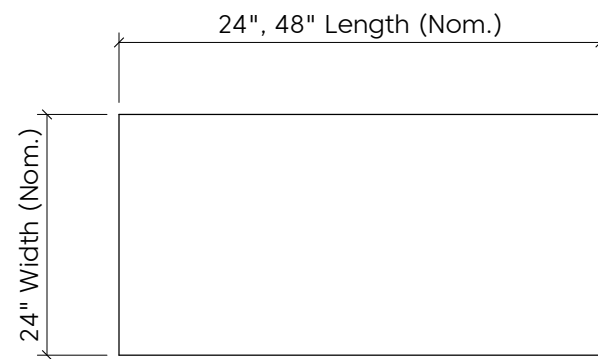
Environmental Attributes

- Declare Certification
- LBC Red List Free
- Phenol And Formaldehyde Free
- Low VOC
- CDPH Compliance
- Aligns With Building Standards

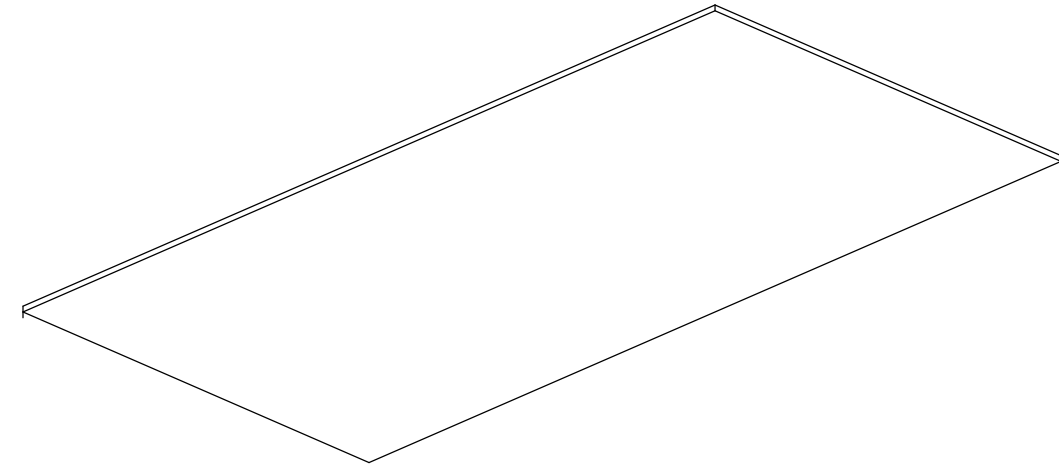


12mm Design

Plan

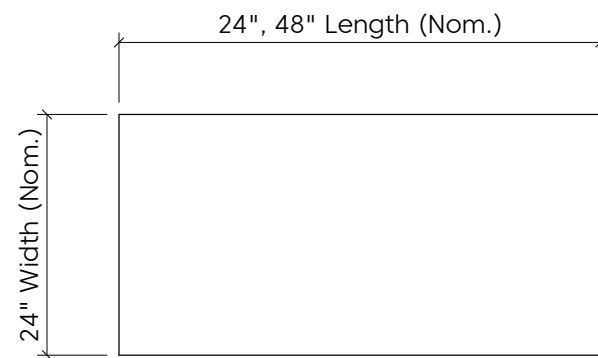


Perspective

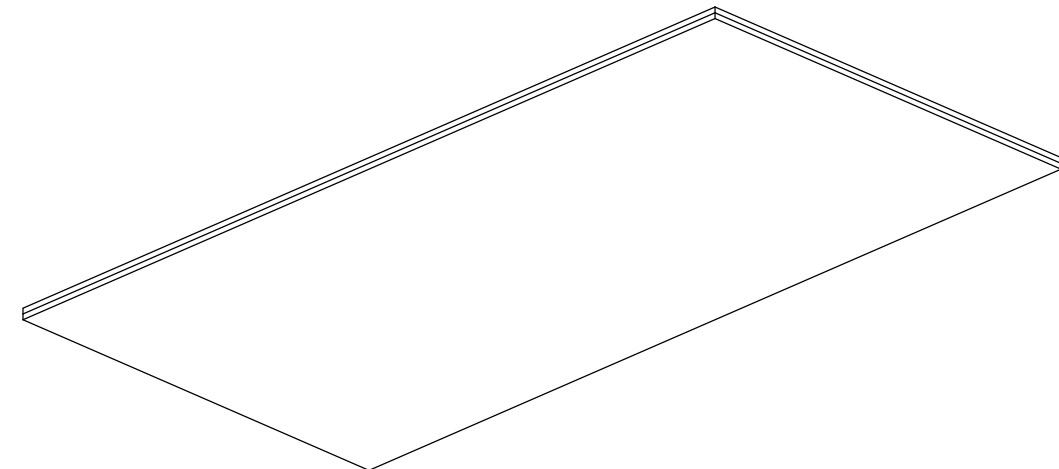


24mm Design

Plan

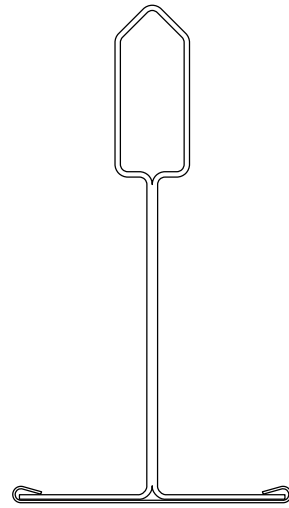


Perspective

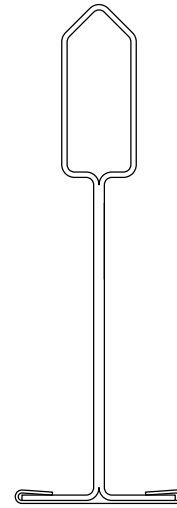


Compatible T Grid Type (By Others)

15/16" Flat



9/16" Flat



9/16" Bolt Slot

