



SoftenUp Ceiling System

FilaSorb™ 12

acoufelt
making quiet

Product Detail

Product	SoftenUp Ceiling System	
Surface	Ceiling	
Composition	100% Polyester	
Material	FilaSorb™	
Recycled Content	60% min.	
Thickness	12mm 0.47" +/- 10%	
Weight	0.49 lb/ft ² +/- 10%	
Slat Profile Dimension	Width	Depth
	2" or 4"	1" or 3"
Panel Dimension	24"W x 24"L x 0.5"D	
	24"W x 48"L x 0.5"D	
	24"W x 96"L x 0.5"D	
	Custom size available upon request.	
Compatible T Grid Layout	Standard 2' x 2' Grid	

Technical Data

Fire Test Method Number	AS ISO 9705:Group 1 ASTM E84-17a Class A
Indoor Air Quality	Low VOCs emission, formaldehyde and Phenol-free
Light Fastness	ISO 105-B02 1994, 6-7

Acoustic Performance

Product acoustic performance testing is in progress.

Guarantees

Lead Time	Ships in 4-6 weeks
Light Fastness Warranty	10 Years*
Customizable	Yes

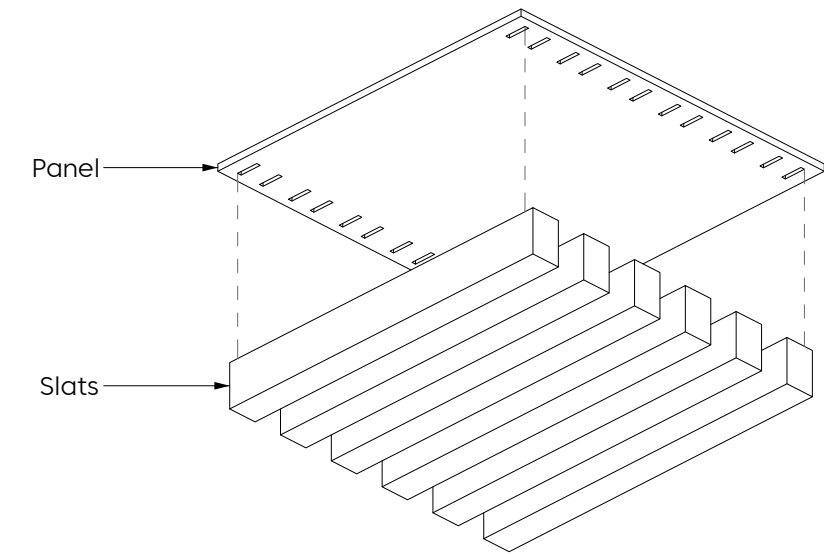
* conditions apply

Environmental Attributes

- Declare Certification
- LCB Red List Free
- Phenol And Formaldehyde Free
- Low VOC
- CDPH Compliance
- Aligns With Building Standards

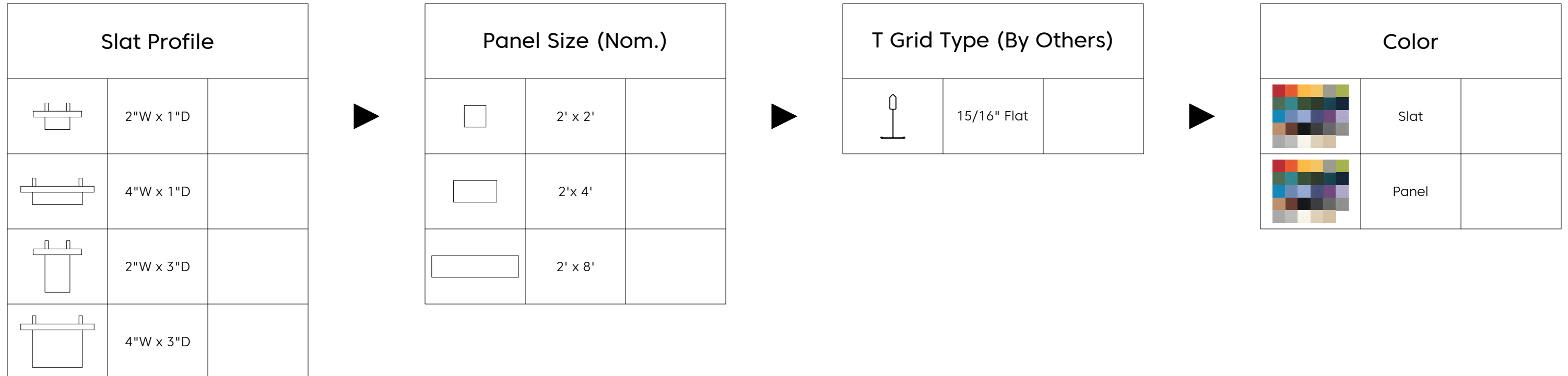


Specifying Process



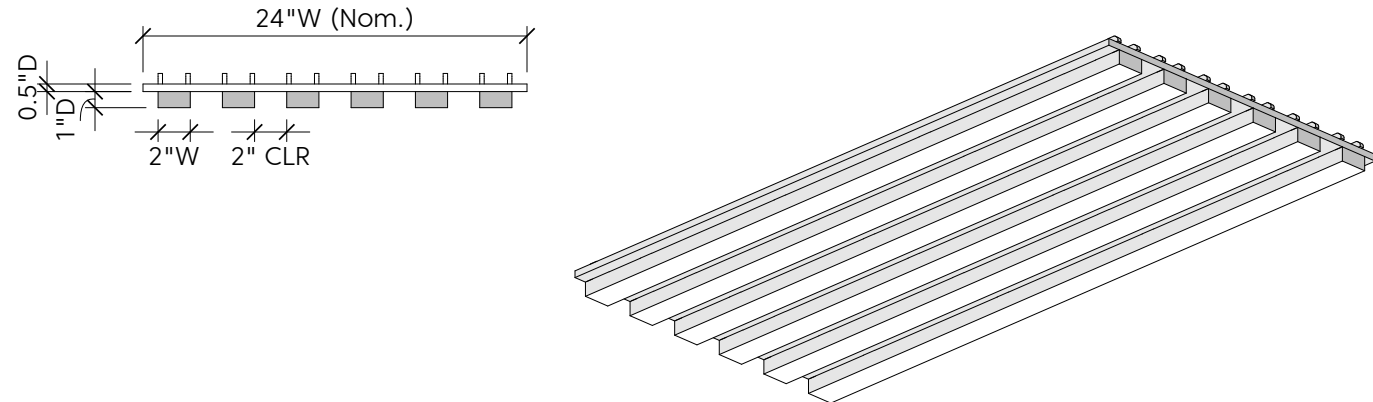
* Ships assembled

Choose Your Option See following pages for details.

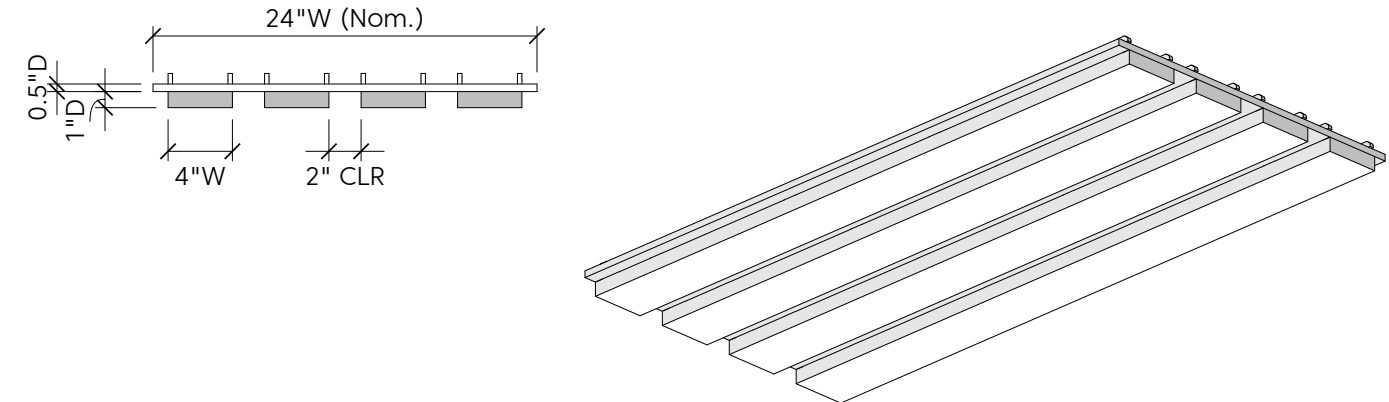


Slat Profile & Panel Size

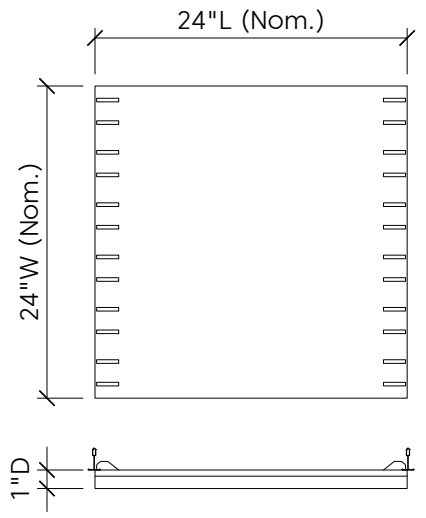
Linear Narrow Plank 2"W x 1"D Slat Profile



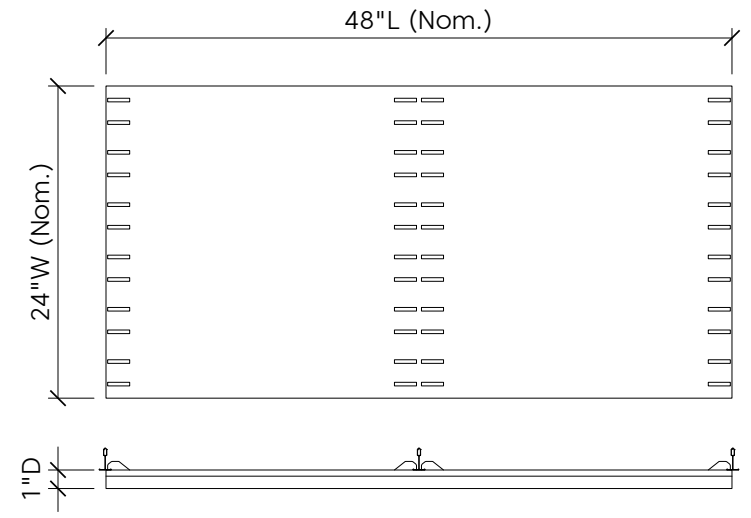
Linear Wide Plank 4"W x 1"D Slat Profile



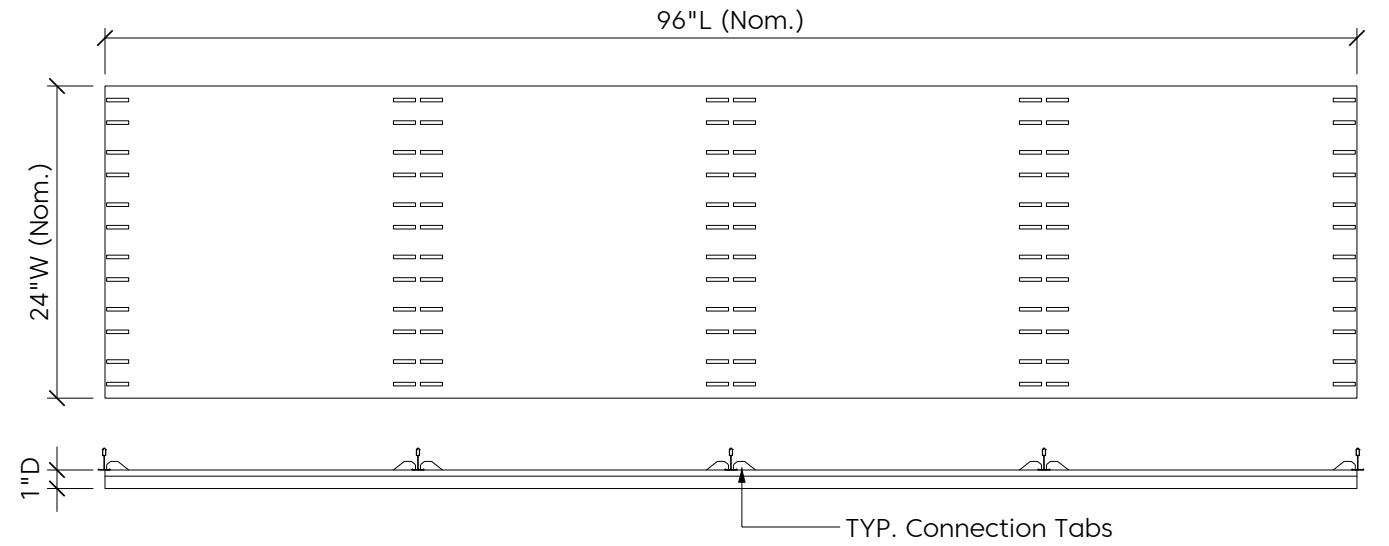
24"W x 24"L (Nom.) Panel



24"W x 48"L (Nom.) Panel

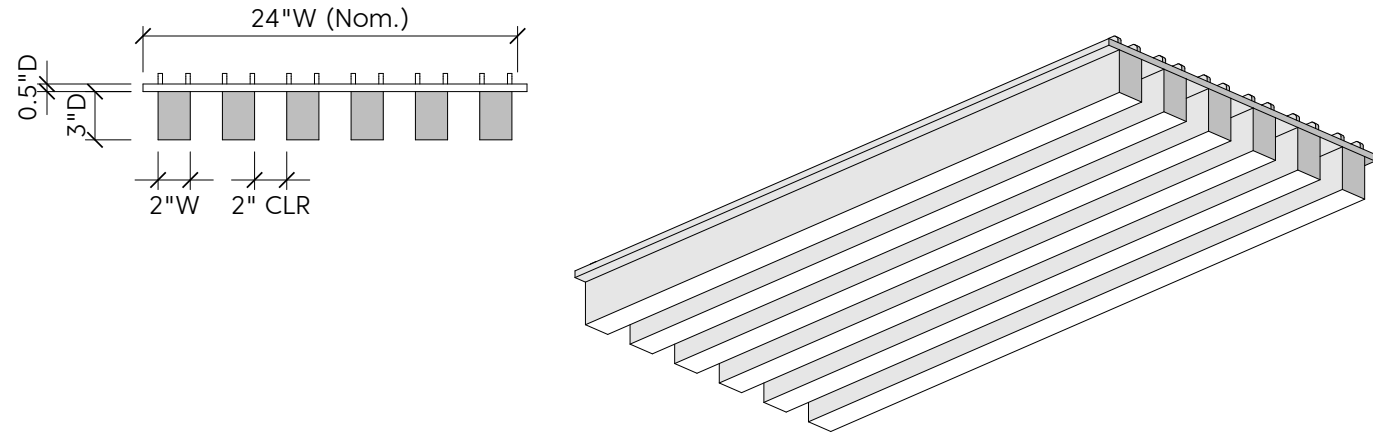


24"W x 96"L (Nom.) Panel

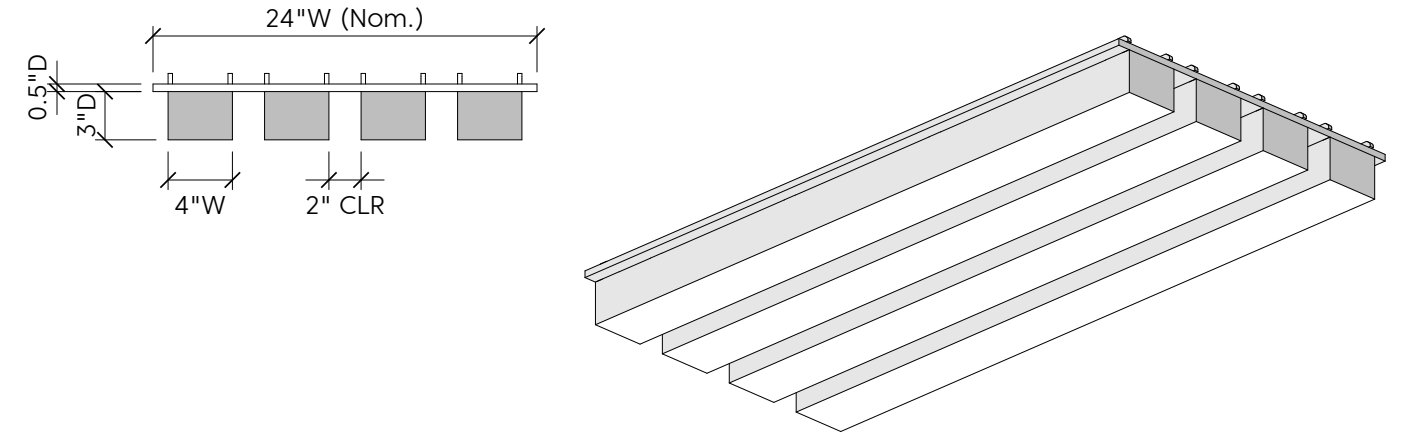


Slat Profile & Panel Size

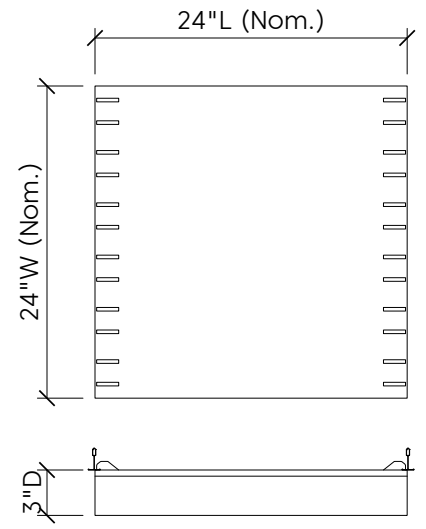
Linear Narrow Plank 2"W x 3"D Slat Profile



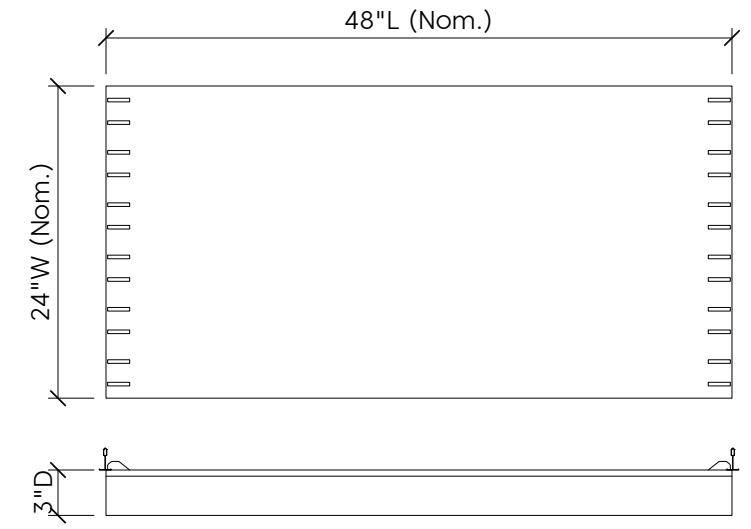
Linear Wide Plank 4"W x 3"D Slat Profile



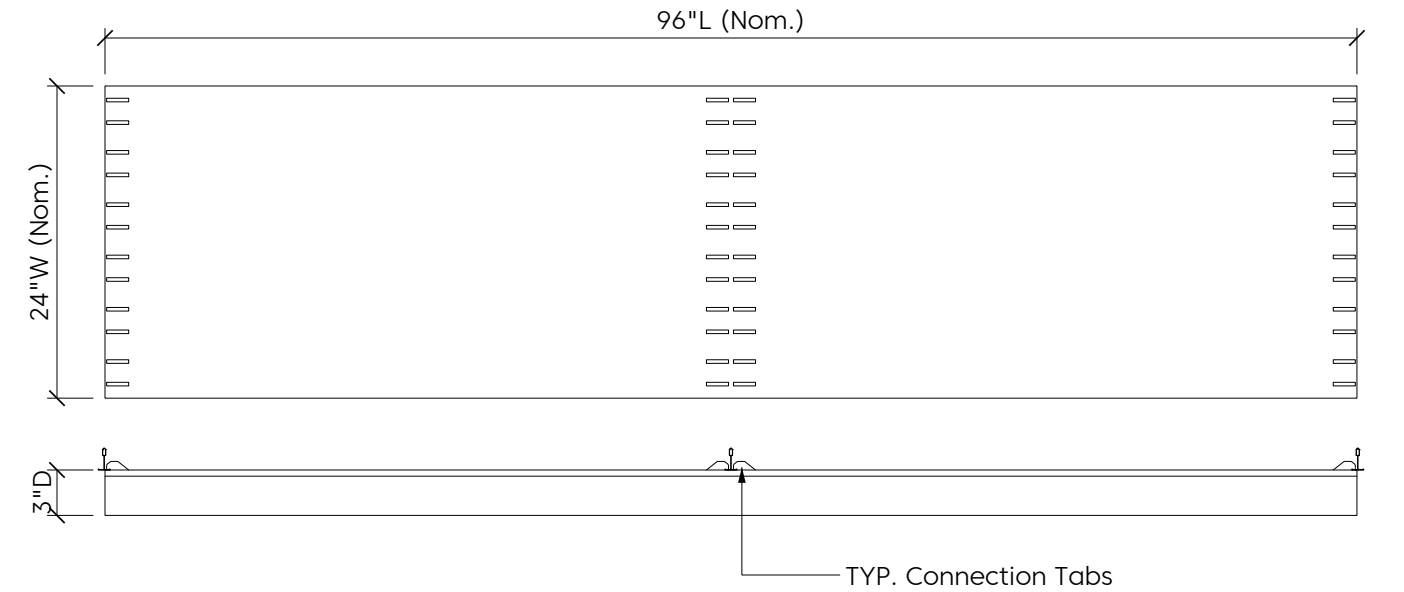
24"W x 24"L (Nom.) Panel



24"W x 48"L (Nom.) Panel



24"W x 96"L (Nom.) Panel



Installation

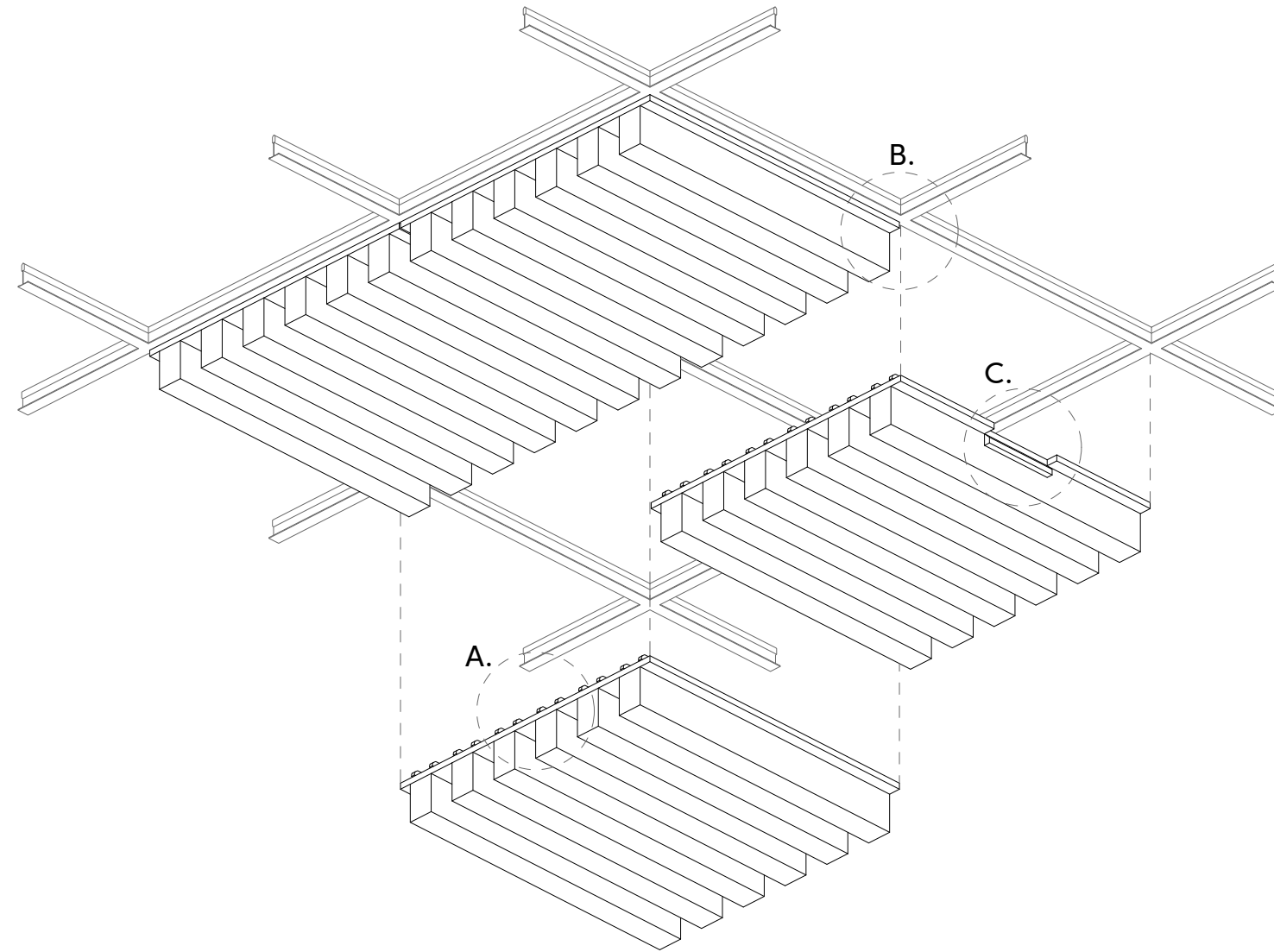
Slat Profile & Panel Size

T Grid Type (By Others)

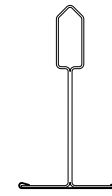
Color

Axon

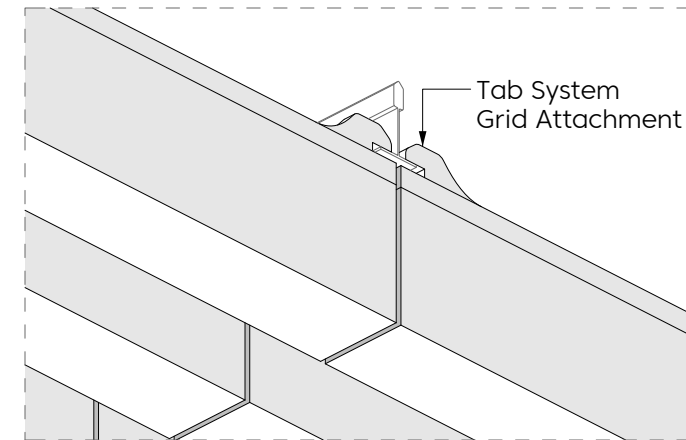
Compatible T Grid Type (By Others)



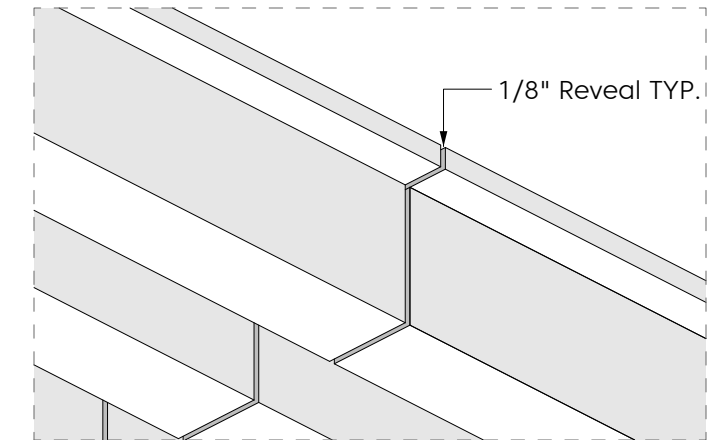
15/16" Flat



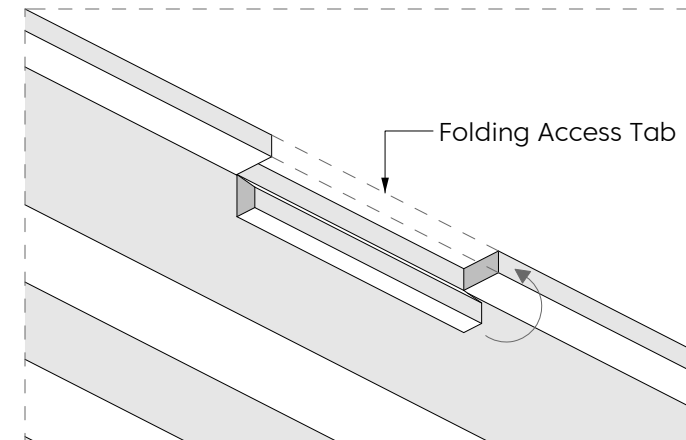
A. Suspension



B. Tolerance & Reveal

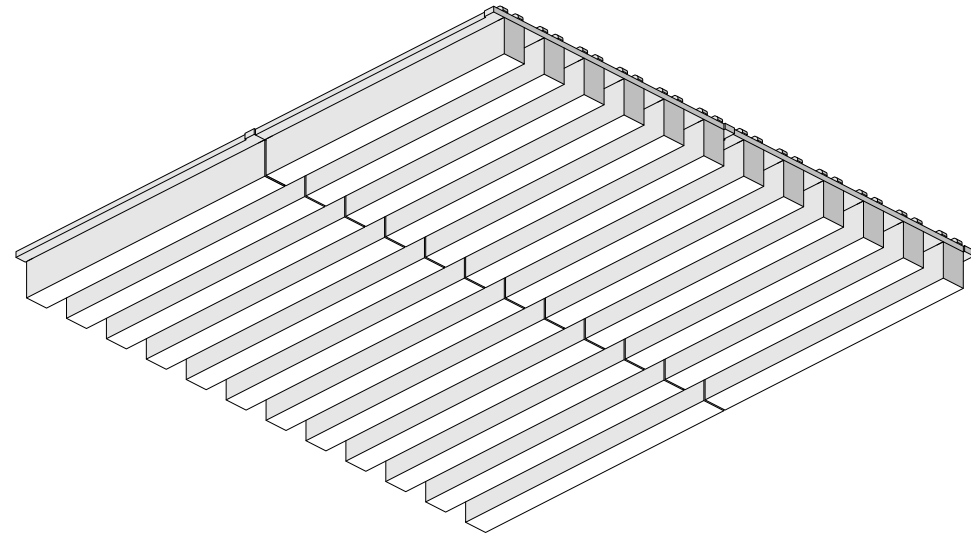


C. Ceiling Access

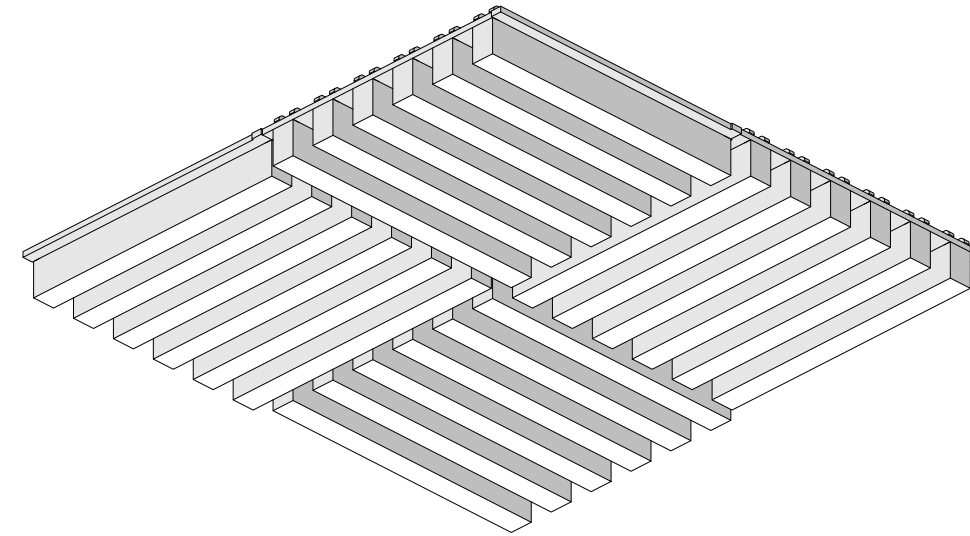


Recommended Layouts

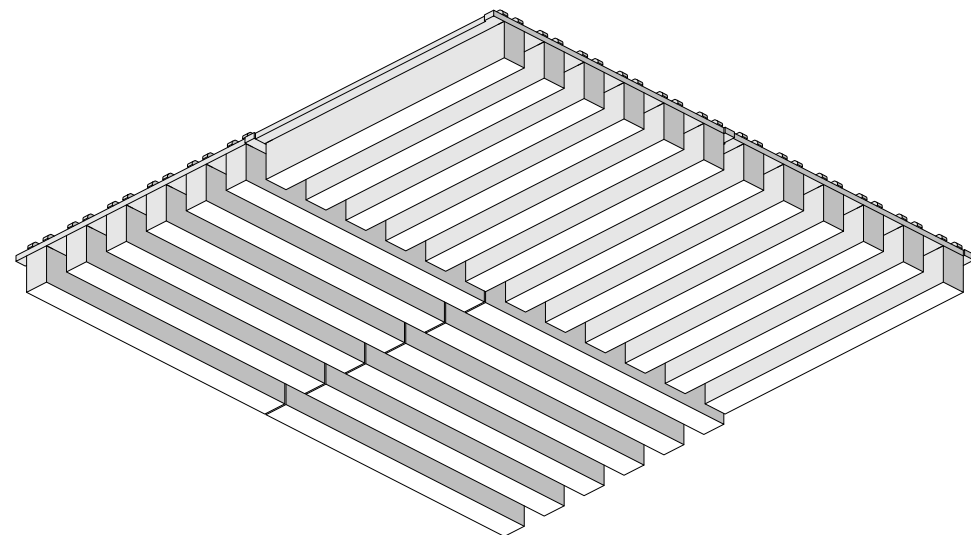
Layout 1



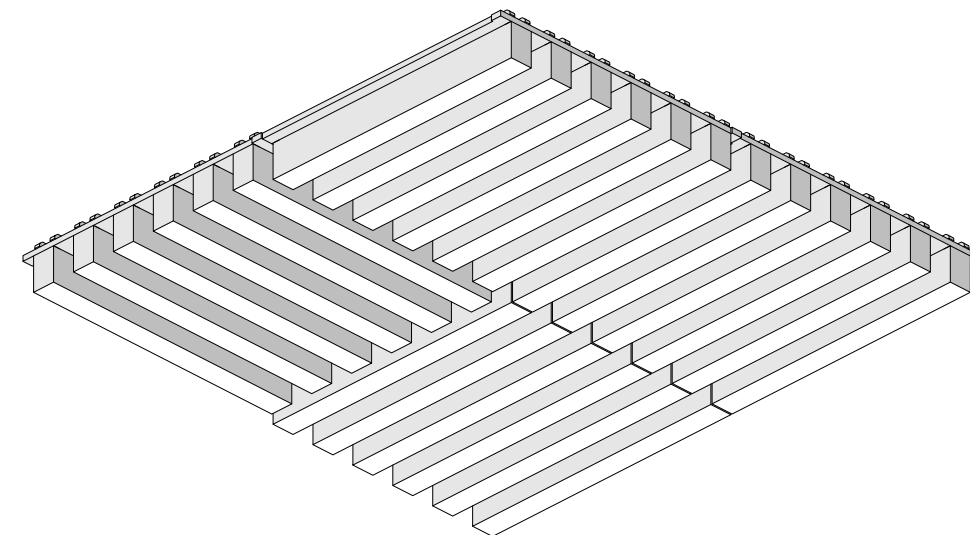
Layout 2



Layout 3

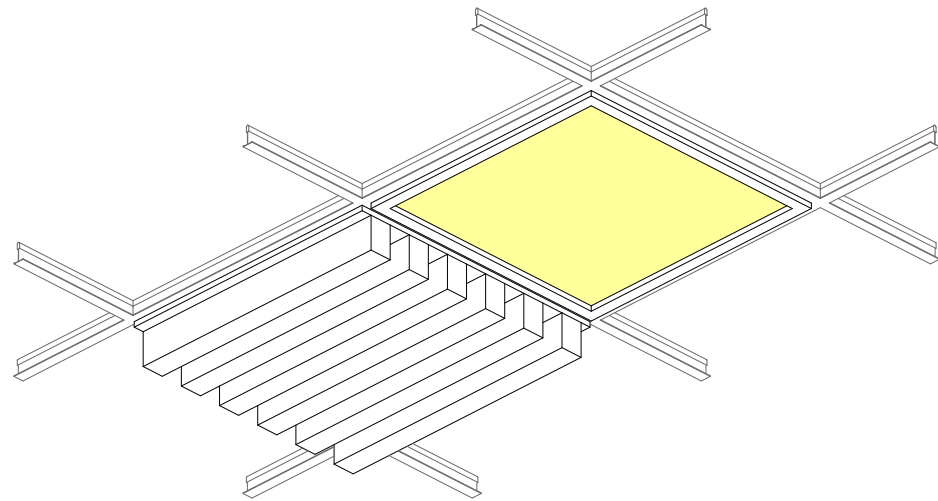


Layout 4

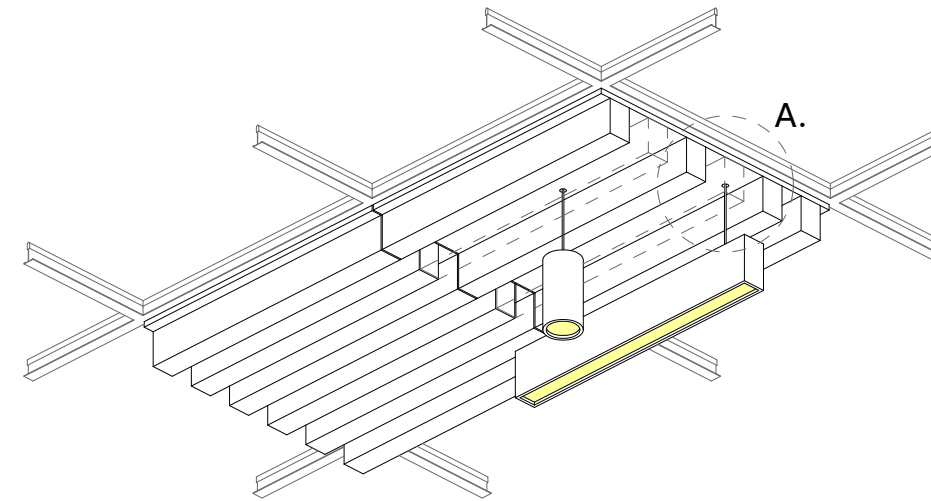


Lighting Coordination

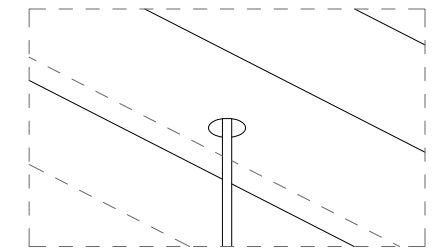
2' x 2', 2' x 4' Grid Light



Drop Pendant Light

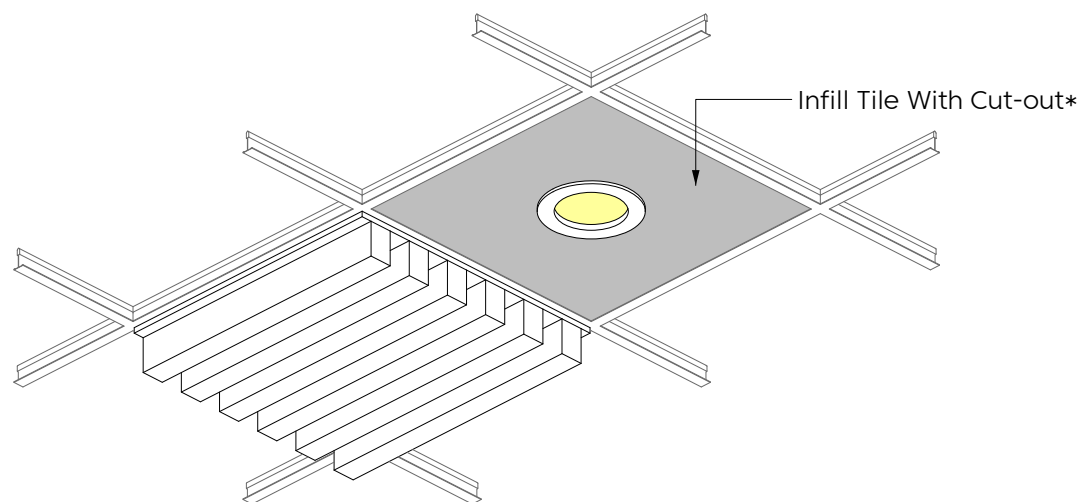


A. Cut-Out For Stem(s)*



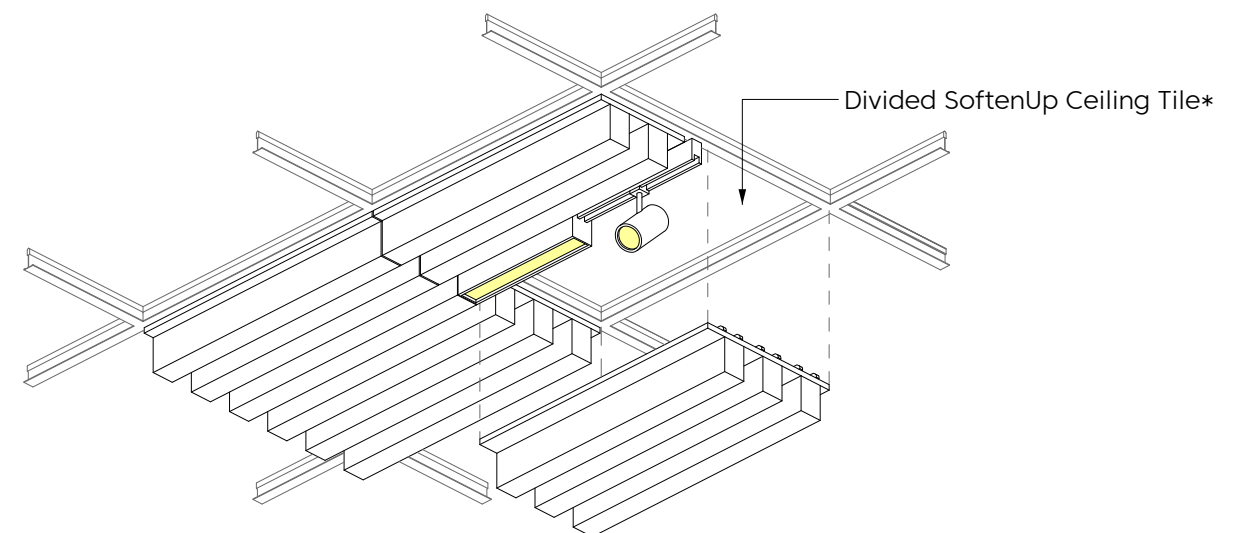
* Cut On-Site (Between Slats)

Recessed Light



*Cut On-Site

Grid Mounted Light (Track, Pendant)



* Cut On-Site (Between Slats)

Notes

Suspension

The SoftenUp ceiling system is designed to connect to standard drop ceiling grid systems via a series of tabs integrated into the design. No additional hardware is required for standard installation. Seismic zones may require additional considerations. See note on seismic.

Life Safety

The panels can be trimmed on site, using a sharp utility knife, to accommodate any exit signage and/or wayfinding markings. Cut-outs must occur in 2" gap between slats. All fixtures must be supported independent of tiles.

*Panels cut on-site may require additional support.

Weight

SoftenUp tiles featuring a 3"D slat weigh 2 lbs/sqft. SoftenUp tiles featuring a 1"D slat weigh 1.25 lbs/sqft.

Clearance/Tolerance

When installed, SoftenUp tiles have a consistent 1/8" reveal to account for any on-site tolerance concerns. Panels have a method for tile alignment integrated into the design.

*A continuous slat design is available - contact Acoufelt for further details.

MEP/FP

The panels can be trimmed on site, using a sharp utility knife, to accommodate any MEP/FP fixtures including but not limited to drop-in lighting and diffusers, recessed lighting, linear diffusers, concealed and exposed fire sprinklers, and A/V equipment. Please consult all local and municipal codes, as well as a licensed engineer, for full compliance requirements. Cut-outs must occur in 2" gap between slats. All fixtures must be supported independent of tiles.

*Panels cut on-site may require additional support.

Ceiling Access

Panels with an integrated folding access tab are available upon request. These folding tabs allow for the removal of individual tiles to access ceiling systems.

Seismic

SoftenUp tiles can provide seismic compliance through a mechanical direct screw attachment through the panel to the grid system or an individual tile off to building structure. Please consult all local and municipal codes, as well as a licensed engineer, for full compliance requirements.