



Solid Panel

FilaSorb™ 12

acoufelt
making quiet

Product Detail

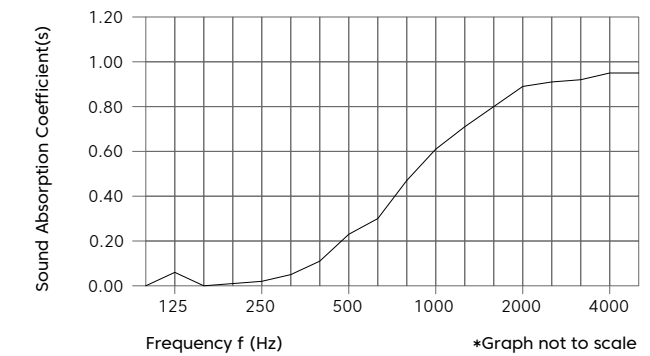
| | |
|------------------|-------------------------------------|
| Product | Solid Panel |
| Surface | Wall |
| Composition | 100% Polyester |
| Material | FilaSorb™ |
| Recycled Content | 60% min. |
| Thickness | 12mm 0.47" +/- 10% |
| Weight | 0.49 lb/ft ² +/- 10% |
| Dimension | 48"W x 110"H |
| | Custom size available upon request. |

Technical Data

| | |
|-------------------------|---|
| Fire Test Method Number | AS ISO 9705:Group 1 ASTM E84-17a Class A |
| Indoor Air Quality | Low VOCs emission, formaldehyde and Phenol-free |
| Light Fastness | ISO 105-B02 1994, 6-7 |

Acoustic Performance

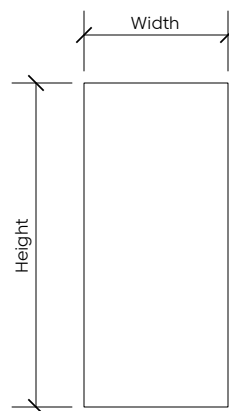
Sound Absorption ISO 354-2006 NRC 0.45



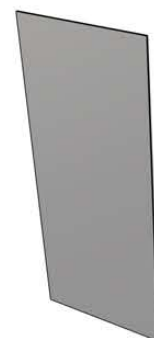
| Frequency f(Hz) | 125 | 250 | 500 | 1000 | 2000 | 4000 | NRC |
|---------------------|------|------|------|------|------|------|------|
| 12mm a _s | 0.06 | 0.02 | 0.23 | 0.61 | 0.89 | 0.95 | 0.45 |

Product Drawing

Elevation



Perspective



Guarantees

| | |
|-------------------------|--------------------|
| Lead Time | Ships in 4-6 weeks |
| Light Fastness Warranty | 10 Years* |
| Customizable | Yes |

* conditions apply

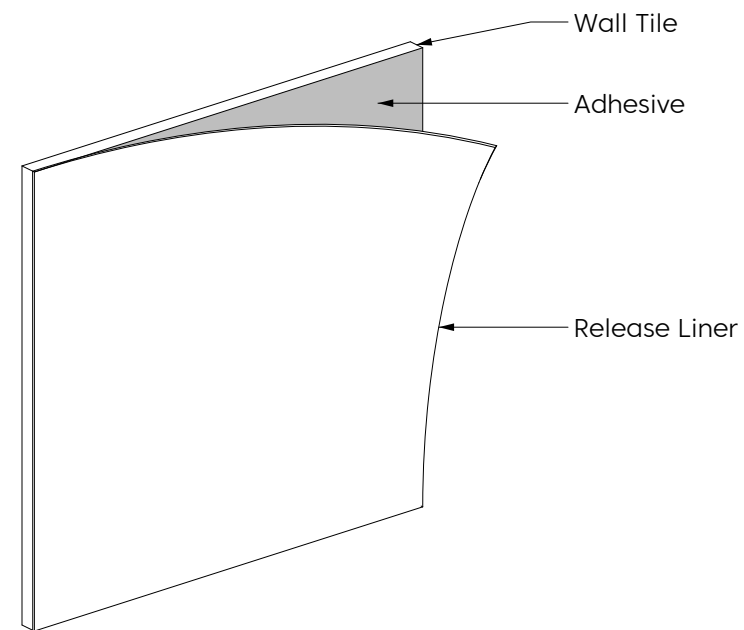
Environmental Attributes

- Declare Certification
- LCB Red List Free
- Phenol And Formaldehyde Free
- Low VOC
- CDPH Compliance
- Aligns With Building Standards

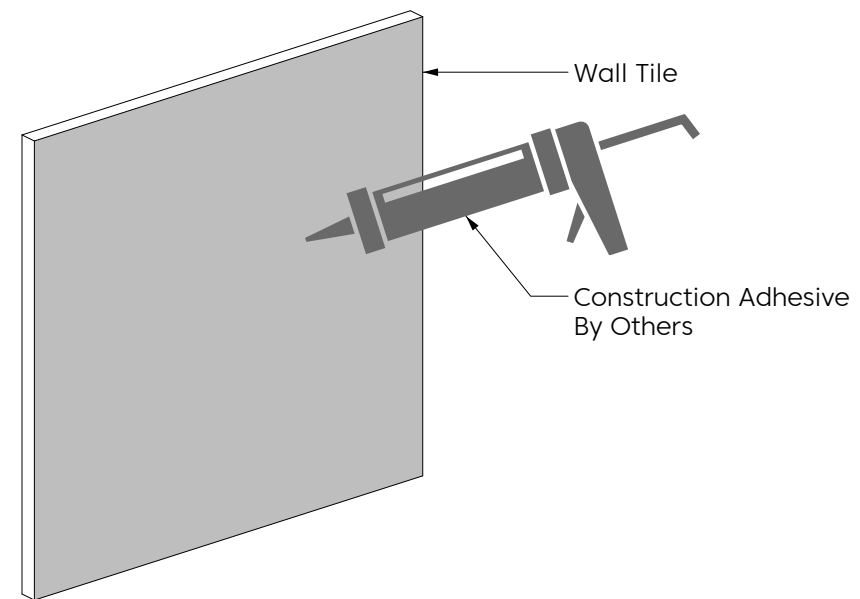


Mounting Methods

Adhesive Backing



Construction Adhesive



Z-Clip Mount

