



# Circle Ceiling Clouds

Premier Collection

Acoufelt ceiling clouds are a modern acoustic treatment designed to be suspended horizontally from a ceiling system, offering an increased surface area for sound absorption. As a standalone free-hanging unit with a large surface area, circle ceiling clouds offer targeted sound absorption in areas that may be acoustically problematic.

## Specifications

|                       |                                  |
|-----------------------|----------------------------------|
| <b>Surface</b>        | Ceiling                          |
| <b>Material</b>       | FilaSorb™ polyester felt         |
| <b>Thickness</b>      | 1", 24mm (±10%)                  |
| <b>Weight</b>         | 0.98 lb./ft <sup>2</sup> (±10%)  |
| <b>Standard Sizes</b> | 24", 30", 36", 42", 48" diameter |



Circle Ceiling Cloud in Kale

## Technical

|                      |   |
|----------------------|---|
| <b>NRC Rating</b>    | 0.60  |
| <b>Fire Test</b>     | ASTM E84, Class A<br>Flame spread index: 15<br>Smoke developed index: 200 |
| <b>Colorfastness</b> | ISO 105-B02, 6-7  |

## Details

|                  |  |
|------------------|--|
| <b>Lead Time</b> | 3 – 6 weeks                                    |
| <b>Origin</b>    | Manufactured and assembled in the US           |
| <b>Warranty</b>  | Product: 20 years*<br>Colorfastness: 20 years* |

\* Conditions apply

## Environmental

|                           |  |
|---------------------------|--|
| <b>Recycled Content</b>   | Minimum 60%  |
| <b>Energy</b>             | Generated using 40% solar energy   |
| <b>Indoor Air Quality</b> | VOC less than/equal to 0.5mg/m3  |
| <b>Recyclable</b>         | 100%*  |
| <b>Certifications</b>     | Environmental Product Declaration<br>Declare Certification - LBC Red List Free<br>(third-party verified)<br>SCS Global Indoor Advantage Gold |

\* PET is recyclable through participating partners.



# Colorways

## PREMIER

|  |   |   |   |   |   |   |   |
|--|---|---|---|---|---|---|---|
|    |    |    |    |    |    |    |    |
| White<br>WH12  | Almond<br>AL55  | Pistachio<br>PI25   | Celery<br>CE65  | Metal<br>ME03   | Flamingo<br>FL61  | Quartz<br>QU67  | Turmeric<br>TU60  |
|    |    |    |    |    |    |    |    |
| Platinum<br>PL04   | Pearl<br>PE21   | Eucalyptus<br>EU71  | Sencha<br>SE58  | Periwinkle<br>PE23  | Amethyst<br>AM69  | Valentine<br>VA70   | Wheat<br>WH68   |
|    |    |    |    |    |    |    |    |
| Grey<br>GR02   | Ivory<br>IV11   | Wasabi<br>WA29  | Sea Salt<br>SE57  | Marine<br>MA15  | Lilac<br>LI13   | Peach<br>PE19   | Popcorn<br>PO26   |
|  |  |  |  |  |  |  |  |
| Slate<br>SL27  | Umber<br>UM54   | Thistle<br>TH28   | Peacock<br>PE20   | Iris<br>IR10  | Berry<br>BE06   | Peppercorn<br>PE22  | Carrot<br>CA08  |
|  |  |  |  |  |  |  |  |
| Charcoal<br>CH01   | Walnut<br>WA56  | Oregano<br>OR18   | Azure<br>AZ05   | Granite<br>GR62   | Flint<br>FL64   | Shiraz<br>SH63  | Currant<br>CU59   |
|  |  |  |  |   |   |   |   |
| Piano Black<br>PI24  | Midnight<br>MI16  | Kale<br>KA12  | Denim<br>DE09   |   |   |   |   |

Order samples at [acoufelt.com/colorways](https://acoufelt.com/colorways)

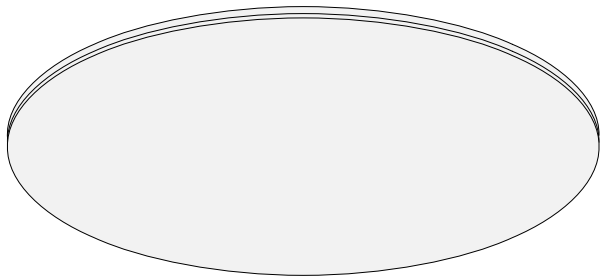


Call 800.966.8557 with questions or visit [acoufelt.com](https://acoufelt.com) for more product information, downloads, and colorways.

# Sizes

|                       |                                  |
|-----------------------|----------------------------------|
| <b>Standard Sizes</b> | 24", 30", 36", 42", 48" diameter |
| <b>Thickness</b>      | 1", 24mm ( $\pm 10\%$ )          |

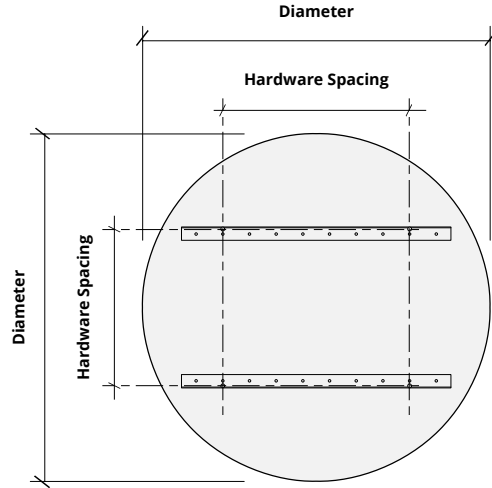
**Perspective**



24mm  
thickness

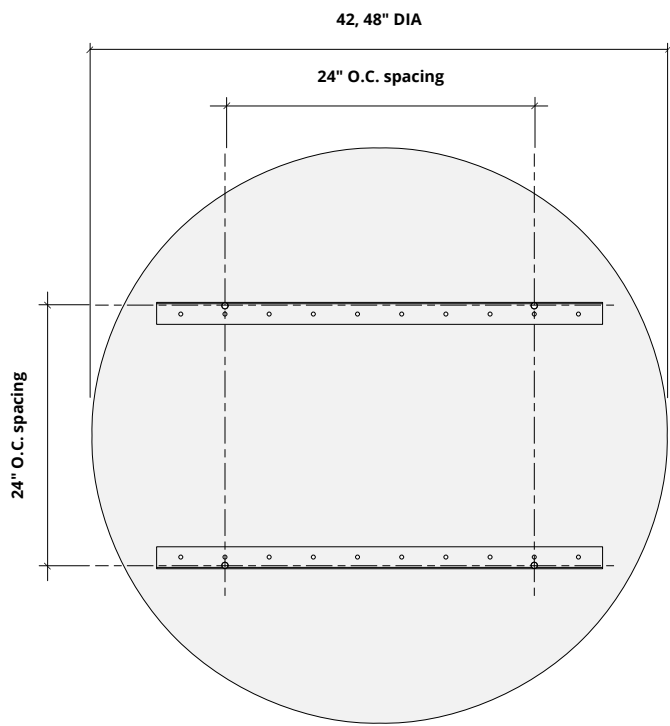
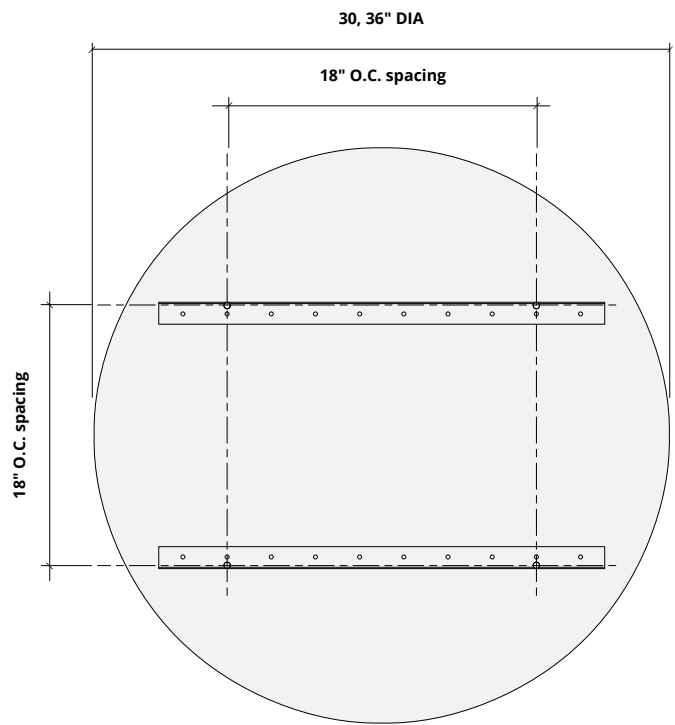
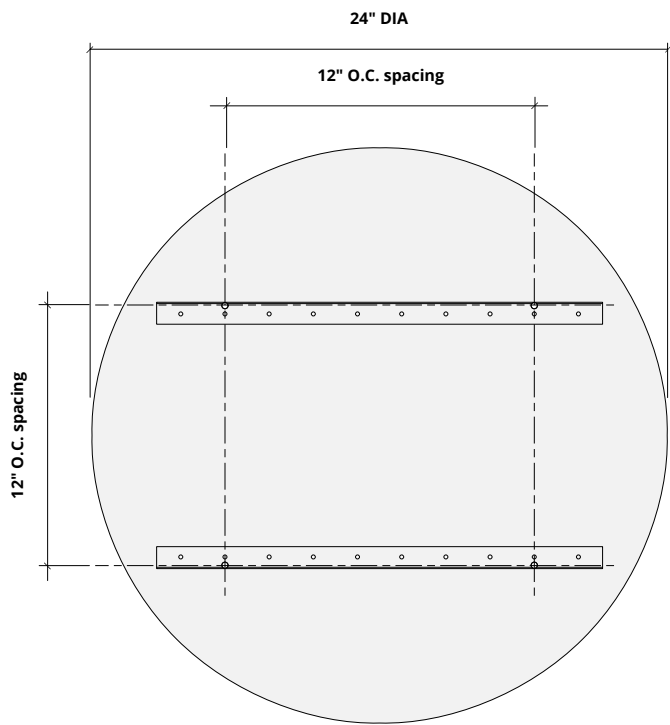


**Plan**



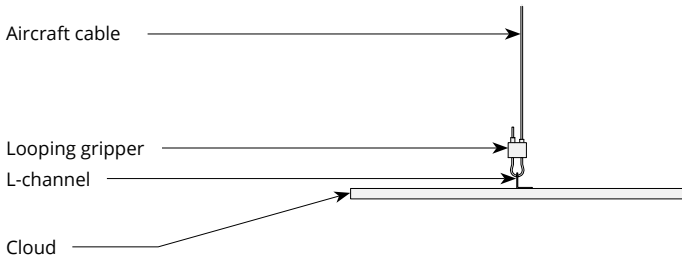
# Hardware Spacing

|             |                       |
|-------------|-----------------------|
| 24" DIA     | 12" on center spacing |
| 30, 36" DIA | 18" on center spacing |
| 42, 48" DIA | 24" on center spacing |

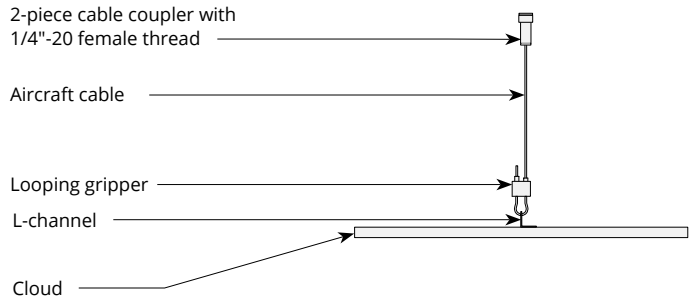


# Mounting Methods

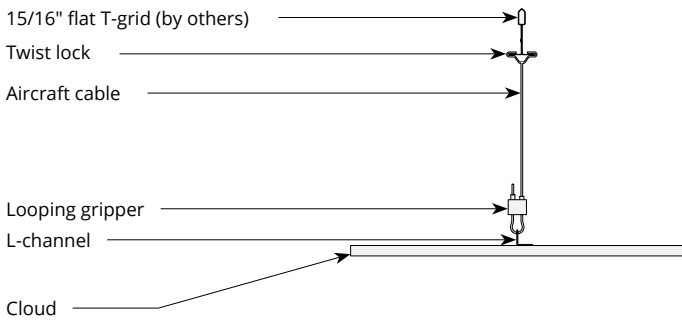
## Cable



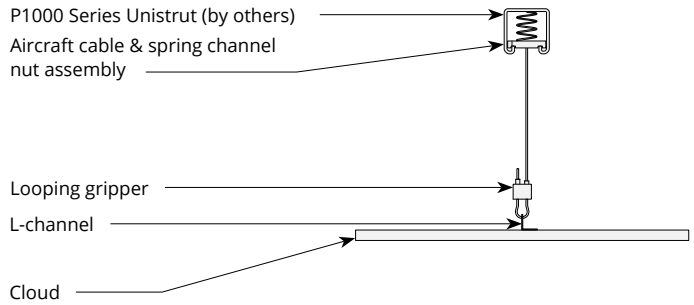
## Cable to deck



## Cable to T-grid

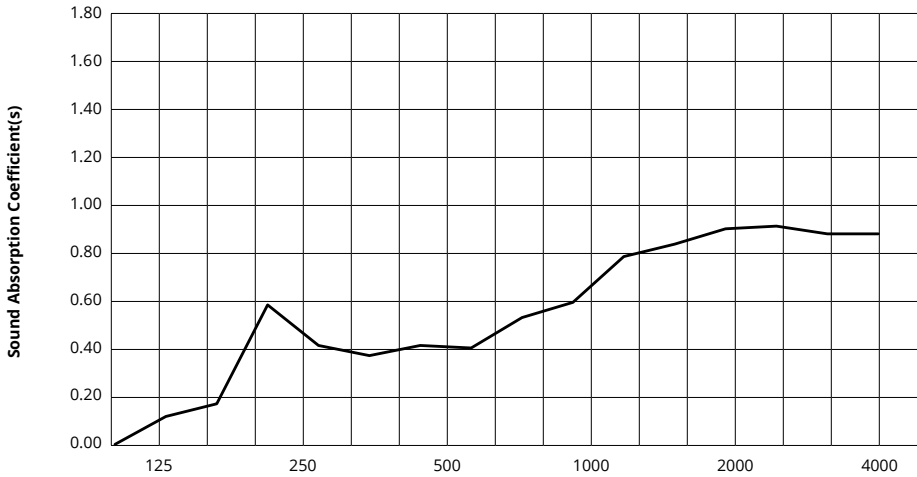


## Cable to Unistrut



# Acoustic Performance

|                       |                |
|-----------------------|----------------|
| <b>Test Method</b>    | ISO 354-2006   |
| <b>Install Method</b> | E200, E400     |
| <b>Rating Method</b>  | ISO 11654-2002 |
| <b>Test Results</b>   | NRC 0.60       |



| Frequency f (Hz) | 125  | 250  | 500  | 1000 | 2000 | 4000 | NRC  |
|------------------|------|------|------|------|------|------|------|
| 24mm             | 0.02 | 0.57 | 0.41 | 0.58 | 0.87 | 0.85 | 0.60 |

## What is a Noise Reduction Coefficient (NRC)?

You'll find the NRC rating in the specifications of all of our products. This acronym stands for Noise Reduction Coefficient, and is expressed as a single number, a rating that describes the degree to which acoustic products can absorb sound.

You can use NRC values to understand the overall performance of our acoustic wall and ceiling products. The higher the NRC, the better the product is at soaking up the sound.

*Performance Indices: Noise Reduction Coefficient (NRC) results represent the absorption coefficients measured at the one third octave bands at 125, 250, 500, 1000, 2000 and 4000 Hz rounded to the nearest 0.05. Acoustic testing has been performed according to the methods mentioned above. Customization of installation of the product could alter the results. Sound Absorption Average (SAA) indicates the absorption coefficient average for the twelve one-third octave bands ranging between 200 and 2500 Hz.*